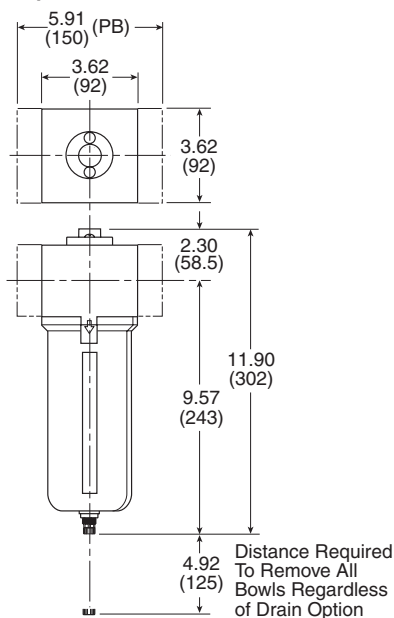


- Removes liquid aerosols and sub-micron particles
- Port blocks (PB) available to provide 1-1/2" port extension to 1" ported bodies
- 0.01 micron element standard
- Metal bowl with sight gauge standard
- 3/4", 1", & 1-1/2" ports (NPT, BSPP & BSPT)


**Material specifications**

Description	P3NF (Hi-Flow)	
Body	Aluminum	
Bowl	Aluminum	
Deflector	Plastic	
Drain	Plastic	
Filter element –	1.0 micron	Borosilicate & felt glass fibers
	0.01 micron	
Seals	Nitrile	
Sight gauge	Polyamide (Nylon)	

**P3NF (Hi-Flow)**



**Coalescing Filters**

	Port size	Bowl type	Sight gauge	Flow SCFM	Element type	Part number (NPT)	
						Twist drain	Automatic float drain
	3/4"	Metal	Yes	130	0.01 micron	<b>P3NFA96DSM</b>	<b>P3NFA96DSA</b>
	3/4"	Metal	Yes	195	1.0 micron	<b>P3NFA96QSM</b>	<b>P3NFA96QSA</b>
	1"	Metal	Yes	140	0.01 micron	<b>P3NFA98DSM</b>	<b>P3NFA98DSA</b>
	1"	Metal	Yes	215	1.0 micron	<b>P3NFA98QSM</b>	<b>P3NFA98QSA</b>
	1-1/2" #	Metal	Yes	225	0.01 micron	<b>P3NFA9PDSM</b>	<b>P3NFA9PDSA</b>
	1-1/2" #	Metal	Yes	150	1.0 micron	<b>P3NFA9PQSM</b>	<b>P3NFA9PQSA</b>

# 1" port body with 1-1/2" port block

 Most popular.



**Operating information**

		P3NF (Hi-Flow)
Operating pressure:	Metal bowl	0 to 250 PSIG (0 to 17.2 bar)
	Auto float drain	15 to 250 PSIG (1.0 to 17.2 bar)
Operating temperature:	Metal bowl	32°F to 175°F (0°C to 80°C)
	For technical information see CD	

**Service kits**

Description	P3NF (Hi-Flow)	
Bowl Kits –	Sight gauge / auto float	<b>P3NKA00BSA</b>
	Sight gauge / twist drain	<b>P3NKA00BSM</b>
	Sight gauge / push 'n' drain	<b>P3NKA00BSP</b>
Bowl latch kit	<b>C11A33</b>	
DPI replacement kit	<b>PS781P</b>	
Drain kit –	Auto drain	<b>PS506P</b>
	Twist drain	<b>PS512P</b>
Filter element kit –	Grade 6 (standard)	<b>P3NKA00ESCB</b>
	Grade 10 (optional)	<b>P3NKA00ES9</b>
Mounting bracket kit	<b>P3NKA00MW</b>	
Sight gauge kit	<b>P3NKA00PE</b>	