

- The P3BA208 uses a pneumatic input signal to accurately control output pressure based on a predetermined ratio
- A balanced supply valve minimizes the effects of supply pressure variation
- An aspirator tube compensates downstream pressure droop under flowing conditions
- A separate control chamber isolates the diaphragm from the main flow to eliminate hunting and buzzing
- Unit construction allows servicing without removal



P3BA208 Series
 1/4" port size

Operating information	Signal : Output	1:1	1:2	1:3
Output pressure, maximum:		150 PSIG (10 bar)	150 PSIG (10 bar)	150 PSIG (10 bar)
Supply pressure, maximum:		250 PSIG (17 bar)	250 PSIG (17 bar)	250 PSIG (17 bar)
Flow capacity – 100 PSIG, (7 bar), supply 20 PSIG, (1.5 bar) output		45 SCFM (76.5 m ³ /HR)	45 SCFM (76.5 m ³ /HR)	45 SCFM (76.5 m ³ /HR)
Exhaust capacity – Downstream pressure 5 PSIG (.35 bar) above 20 PSIG (1.5 bar) setpoint		11 SCFM (18.7 m ³ /HR)	11 SCFM (18.7 m ³ /HR)	11 SCFM (18.7 m ³ /HR)
Sensitivity, water column:		.250" (.64 cm)	.500" (1.27 cm)	.750" (1.9 cm)
Ratio accuracy – % of 100 PSIG (7 bar) output span % of output span with 100 PSIG (7 bar) input span		1.0 —	1.0 —	1.0 —
Supply pressure effect – for change of 100 PSIG (7 bar)		0.10 PSIG (.007 bar)	0.20 PSIG (.014 bar)	0.30 PSIG (.021 bar)
Ambient temperature:		-40°F to 200°F (-40°C to 93°C)	-40°F to 200°F (-40°C to 93°C)	-40°F to 200°F (-40°C to 93°C)
For technical information see CD				

P3BA208
Precision Pneumatic Input Signal Amplifier



Port size	Pilot ratio	Part number
1/4"	1:1	P3BA20812
1/4"	1:2	P3BA20822
1/4"	1:3	P3BA20823

Note: Other spring ranges, port sizes, and options available. Please consult factory.

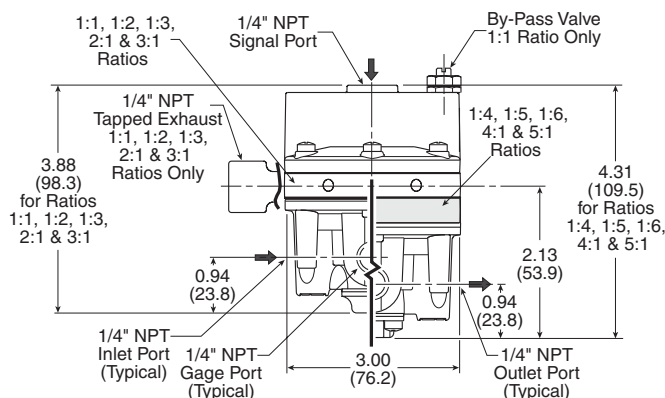
Service kits

1:1 ratio	PS19513-11
1:1 ratio w/ by-pass valve	PS19513-11
1:2 ratio	PS19513-12
1:3 ration	PS19513-13
Mounting bracket	PS09921

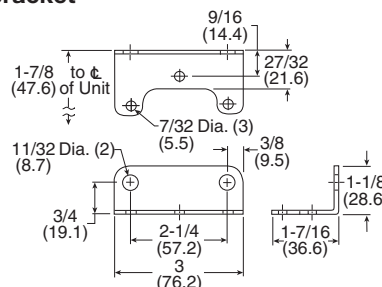
Material specifications

Body and housing	Aluminum
Elastomers	Nitrile on dacron fabric
Trim	Zinc plated steel, brass

Most popular.



Mounting bracket



E

Precision / Proportional Air Preparation Products

Dial Regulators

P3BA208

P3RA302

P3RA102BP

Electronic Proportional

