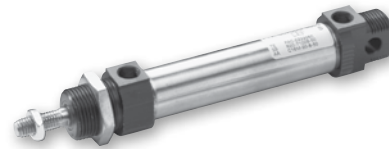


- Conforms to ISO 6432 and CETOP RP52P standards
- 5 bore sizes, 10mm to 25mm
- Stainless steel body with black anodized aluminum end caps
- Stainless steel piston rod
- Magnetic piston and bumpers standard



**Operating information**

Operating pressure: 10 bar (145 PSIG), air  
 Temperature range:  
 Working -20°C to 80°C (4°F to 176°F)  
 High temperature version  
 20mm, 25mm -10°C to 150°C (14°F to 302°F)  
 10mm, 12mm, 16mm -10°C to 120°C (14°F to 248°F)  
 Low temperature version -40°C to 60°C (-40°F to 140°F)  
 Filtration requirements: 40 micron, dry filtered air  
 For technical information see CD



**B**  
 Round Body Cylinders  
 Actuator Products

SR/SM/SRD/SRD  
 Series

SRX  
 Series

P1L  
 Series

P1A  
 Series

P  
 Series

**Ordering information**

**P1A - S**      **016**      **M**      **S**      -      **0025**

Bore size		Cylinder type / function		Stroke length, mm									
010	10mm	M	Double-acting, adjustable cushioning, Ø16-25 mm. Not for sealing material type F.	E.g. 0025 = 25 mm For standard stroke length and max length see table below.									
012	12mm	D	Double-acting, bumpers, Ø10 - Ø25	<table border="1"> <thead> <tr> <th colspan="2">Sealing material</th> </tr> </thead> <tbody> <tr> <td>S</td> <td>Standard -20°C to +80°C (-4°F to +176°F) Magnetic piston</td> </tr> <tr> <td>F</td> <td>High temperature: Ø12 mm, 16 mm, 20 mm and 25 mm -10°C to +150°C. (14°F to 302°F) Non magnetic piston</td> </tr> <tr> <td>V</td> <td>External seals of fluorinated rubber -20°C to +80°C (-4°F to +176°F) Magnetic piston</td> </tr> </tbody> </table>		Sealing material		S	Standard -20°C to +80°C (-4°F to +176°F) Magnetic piston	F	High temperature: Ø12 mm, 16 mm, 20 mm and 25 mm -10°C to +150°C. (14°F to 302°F) Non magnetic piston	V	External seals of fluorinated rubber -20°C to +80°C (-4°F to +176°F) Magnetic piston
Sealing material													
S	Standard -20°C to +80°C (-4°F to +176°F) Magnetic piston												
F	High temperature: Ø12 mm, 16 mm, 20 mm and 25 mm -10°C to +150°C. (14°F to 302°F) Non magnetic piston												
V	External seals of fluorinated rubber -20°C to +80°C (-4°F to +176°F) Magnetic piston												
016	16mm	F	Double-acting, adjustable cushioning, double rod, Ø16-25 mm. Not for sealing material type F.										
020	20mm	K	Double-acting, bumpers, double rod, Ø10 - Ø25										
025	25mm	S	Single-acting, bumpers, spring return for retract stroke, Ø10-25 mm										
		T	Single-acting, bumpers, spring extend for advance stroke, Ø16-25 mm										

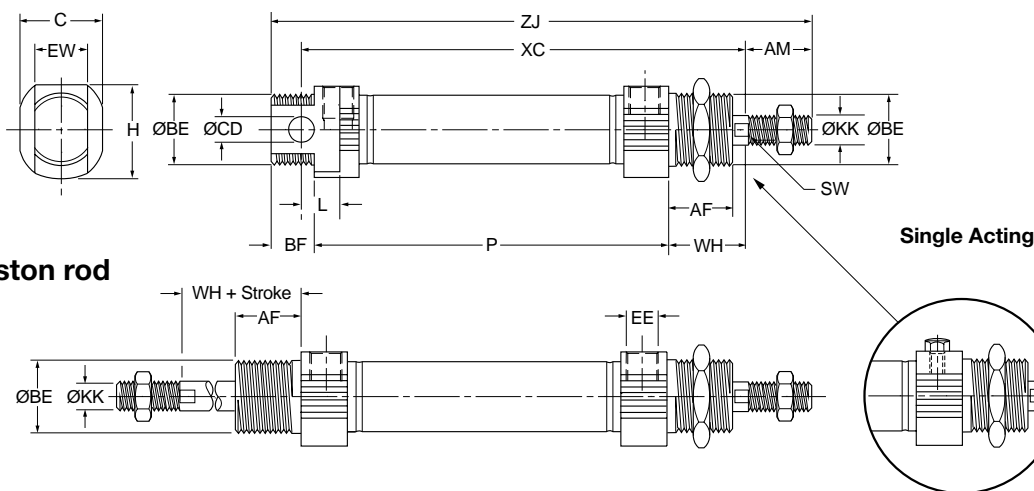
Stroke Lengths		Stroke Length (* = standard, ° = non-standard, blank = N/A)																
Cylinder model	Bore size	10	15	20	25*	30	40	50*	80*	100*	125*	160*	200*	250*	320*	400*	500*	
		<b>Double acting with fixed end-cushioning:</b>																
P1A-S 010 D	10	•	•	•	•	•	•	•	•	•	•	•	•	•	•	•	•	
P1A-S 012 D	12	•	•	•	•	•	•	•	•	•	•	•	•	•	•	•	•	
P1A-S 016 D	16	•	•	•	•	•	•	•	•	•	•	•	•	•	•	•	•	
P1A-S 020 D	20	•	•	•	•	•	•	•	•	•	•	•	•	•	•	•	•	
P1A-S 025 D	25	•	•	•	•	•	•	•	•	•	•	•	•	•	•	•	•	
<b>Double acting with adjustable end-cushioning:</b>																		
P1A-S 016 M	16			•	•	•	•	•	•	•	•	•	•	•	•	•	•	
P1A-S 020 M	20			•	•	•	•	•	•	•	•	•	•	•	•	•	•	
P1A-S 025 M	25			•	•	•	•	•	•	•	•	•	•	•	•	•	•	
<b>Single acting:</b>																		
P1A-S 010 SS	10	•	•	•	•	•	•	•	•									
P1A-S 012 SS	12	•	•	•	•	•	•	•	•									
P1A-S 016 SS(TS)	16	•	•	•	•	•	•	•	•**									
P1A-S 020 SS(TS)	20	•	•	•	•	•	•	•	•									
P1A-S 025 SS(TS)	25	•	•	•	•	•	•	•	•									

\* Standard stroke lengths in mm according to ISO 4393  
 \*\* Not for the TS version

**Sensors**  
 For sensors see page B294.



**Double acting cylinders**



**Double piston rod**

Bore size mm	AM <sup>0/-2</sup> mm	BE	AF mm	BF mm	C mm	CD <sup>h9</sup> mm	EE	EW mm	H mm	KK	L mm	SW mm	WH $\pm$ 1.2 mm
10	12	M12x1.25	12	10	14.0	4	M5	8	16.7	M4	6	–	16
12	16	M16x1.5	18	13	18.0	6	M5	12	19.1	M6	9	5	22
16 <sup>1)</sup>	16	M16x1.5	18	13	18.0	6	M5	12	19.1	M6	9	5	22
16 <sup>2)</sup>	16	M16x1.5	18	13	25.0	6	M5	12	24.0	M6	9	5	22
20	20	M22x1.5	20	14	24.0	8	G1/8	16	27.0	M8	12	7	24
25	22	M22x1.5	22	14	27.5	8	G1/8	16	29.0	M10x1.25	12	9	28

1) P1A-S016DS/SS/TS      2) P1A-S016MS

**Double acting cylinders**

Bore size mm	XC mm	ZJ mm	P mm
10	64 + stroke	84 + stroke	46 + stroke
12	75 + stroke	99 + stroke	48 + stroke
16	82 + stroke	104 + stroke	53 + stroke
20	95 + stroke	125 + stroke	67 + stroke
25	104 + stroke	132 + stroke	68 + stroke

**Single-acting, spring return, type SS**

Bore size mm	XC (mm) at various strokes						ZJ (mm) at various strokes						P (mm) at various strokes					
	10	15	25	40	50	80	10	15	25	40	50	80	10	15	25	40	50	80
10	74	79	89	126	136	174	94	99	109	146	156	194	56	61	71	108	118	156
12	85	90	100	132	142	185	109	114	124	156	166	209	58	63	73	105	115	158
16	92	97	107	122	132	184	114	119	129	144	154	206	63	68	78	93	103	155
20	105	110	120	135	145	191	135	140	150	165	175	221	77	82	92	107	117	163
25	114	119	129	144	154	201	142	147	157	172	182	229	78	83	93	108	118	165

**Single-acting, spring-extended, type TS**

Bore size mm	ZC <sup>3)</sup> (mm) at various strokes					ZJ <sup>3)</sup> (mm) at various strokes					P (mm) at various strokes							
	10	15	25	40	80	10	15	25	40	80	10	15	25	40	80			
16	107	112	122	137	147	–	134	139	149	164	174	–	78	83	93	108	118	–
20	120	125	135	150	160	195	156	161	171	186	196	231	92	97	107	122	132	167
25	129	134	144	159	169	205	165	170	180	195	205	241	93	98	108	123	133	169

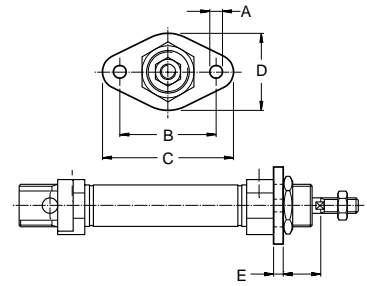
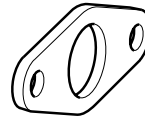
3) With piston rod retracted, as shown in the dimension drawing  
 Length tolerances  $\pm$ 1 mm    Stroke length tolerance +1.5/0 mm

**B**  
 Round Body Cylinders  
 Actuator Products  
 SR/SM/SRD/SRDM  
 Series  
 SRX  
 Series  
 P1L  
 Series  
 P1A  
 Series  
 P  
 Series



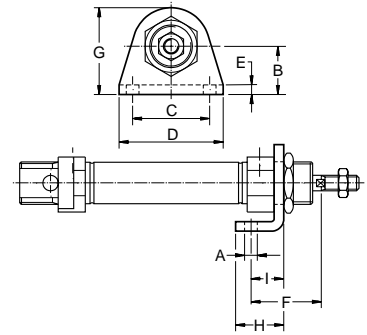
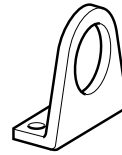
**Flange - MF8**

Cylinder Ø mm	A	B	C	D	E	F	Weight lbs	Part number
10	4.5	30	40	22	3	13	0.025	<b>P1A-4CMB</b>
12-16	5.5	40	52	30	4	18	0.055	<b>P1A-4DMB</b>
20	6.6	50	66	40	5	19	0.100	<b>P1A-4HMB</b>
25	6.6	50	66	40	5	23	0.100	



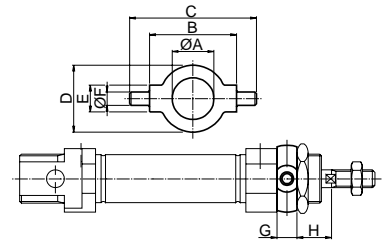
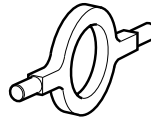
**Foot - MS3**

Cylinder Ø mm	A	B	C	D	E	F	G	H	I	Weight lbs	Part number
10	4.5	16	25	35	3	24	26.0	16	11	0.045	<b>P1A-4CMF</b>
12-16	5.5	20	32	42	4	32	32.5	20	14	0.08	<b>P1A-4DMF</b>
20	6.5	25	40	54	5	36	45.0	25	17	0.18	<b>P1A-4HMF</b>
25	6.5	25	40	54	5	40	45.0	25	17	0.18	



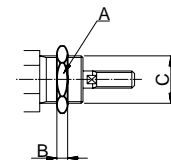
**Cover Trunnion**

Cylinder Ø mm	A	B h14	C	D	E e9	F	G	H	Weight lbs	Part number
10	12.5	26	38	20	8	4	6	10	0.03	<b>P1A-4CMJ</b>
12-16	16.5	38	58	25	10	6	8	14	0.07	<b>P1A-4DMJ</b>
20	22.5	46	66	30	10	6	8	16	0.08	<b>P1A-4HMJ</b>
25	22.5	46	66	30	10	6	8	20	0.08	



**Mounting Nut**

Cylinder Ø mm	A	B	C	Weight lbs	Part number
10	19	6	M12x1.25	0.02	<b>9127385101</b>
12-16	24	8	M16x1.50	0.04	<b>9127385102</b>
20-25	32	11	M22x1.50	0.09	<b>9127385103</b>

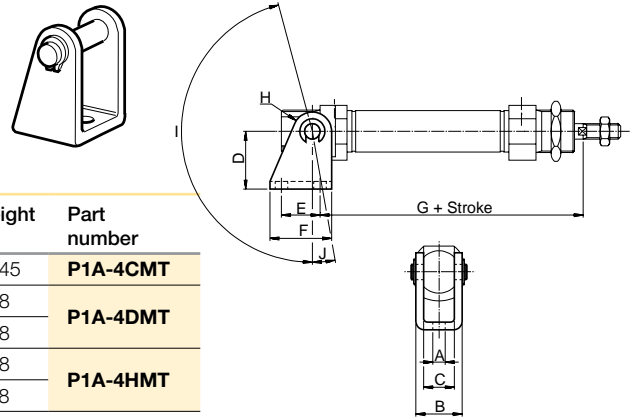


Most popular.



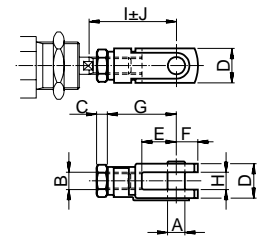
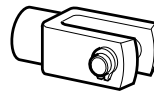
**B**  
 Round Body Cylinders  
 Actuator Products  
 SR/SM/SRD/SRDM  
 Series  
 SRX  
 Series  
 P1L  
 Series  
 P1A  
 Series  
 P  
 Series

**Clevis Bracket**



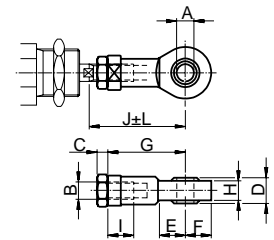
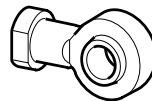
Cylinder Ø mm	A mm	B mm	C mm	D mm	E mm	F mm	G mm	H mm	I °	J °	Weight lbs	Part number
10	4.5	13	8	24	12.5	20	65.3	5	160	17	0.045	<b>P1A-4CMT</b>
12	5.5	18	12	27	15.0	25	73.0	7	170	15	0.08	<b>P1A-4DMT</b>
16	5.5	18	12	27	15.0	25	80.0	7	170	15	0.08	<b>P1A-4DMT</b>
20	6.5	24	16	30	20.0	32	91.0	10	165	10	0.18	<b>P1A-4HMT</b>
25	6.5	24	16	30	20.0	32	100.0	10	165	10	0.18	<b>P1A-4HMT</b>

**Rod clevis**



Cylinder Ø mm	A mm	B	C mm	D mm	E mm	F mm	G mm	H mm	I mm	J mm	Weight lbs	Part number
10	4	M4	2.2	8	8	5	16	4	22.0	2.0	0.015	<b>P1A-4CRC</b>
12-16	6	M6	3.2	12	12	7	24	6	31.0	3.0	0.05	<b>P1A-4DRC</b>
20	8	M8	4.0	16	16	10	32	8	40.5	3.5	0.10	<b>P1A-4HRC</b>
25	10	M10 x 1.25	5.0	20	20	12	40	10	49.0	3.0	0.21	<b>P1A-4JRC</b>

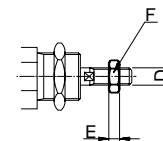
**Swivel Rod Eye**



Cylinder Ø mm	A mm	B	C mm	D mm	E mm	F mm	G mm	H mm	I mm	J mm	K mm	L mm	Weight lbs	Part number
10	5	M4	2.2	8	10	9	27	6.0	8	33.0	9	2.0	0.04	<b>P1A-4CRS</b>
12-16	6	M6	3.2	9	10	10	30	6.8	9	38.5	11	1.5	0.06	<b>P1A-4DRS</b>
20	8	M8	4.0	12	12	12	36	9.0	12	46.0	14	2.0	0.10	<b>P1A-4HRS</b>
25	10	M10 x 1.25	5.0	14	14	14	43	10.5	15	52.5	17	2.5	0.19	<b>P1A-4JRS</b>

**Rod Nut**

Cylinder Ø mm	D mm	F mm	E mm	Weight lbs	Part number
10	M4	7	2.2	0.002	<b>0261110600</b>
12-16	M6	10	3.2	0.004	<b>0261210800</b>
20	M8	13	4.0	0.010	<b>0261211000</b>
25	M10x1.25	17	5.0	0.015	<b>9128985601</b>



Most popular.

