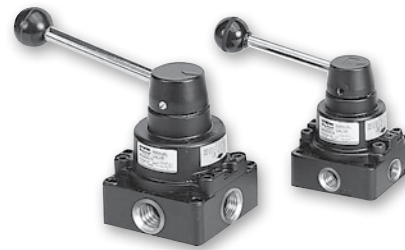


Features

- Compact and simple design
- Rotary disc, direct operated valves
- Side porting
- Detent action smooth lever actuation
- General pneumatic applications



Lubrication

Filtered and lubricated air recommended for maximum valve life and minimum maintenance.

Material specifications

Cover	Zinc
Body	Aluminum
Seals	Polyurethane

Operating information

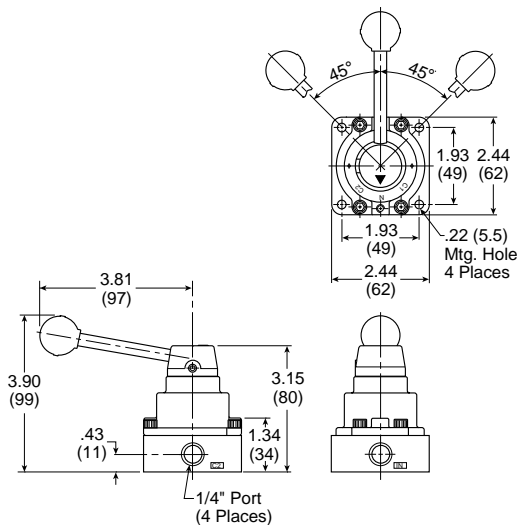
Operating pressure: 0 to 150 PSI (0 to 10 bar)
 Temperature range: 32°F to 166°F (0°C to 60°C)
 Lubrication: Filtered and lubricated air recommended for maximum valve life and minimum maintenance.

HV Valve Series

Symbol	Port size	Description	Cv (ANSI)	Cv (JIS)	Part number
	1/4" NPT	4-way, 3-position	0.5	0.4	HVN4200-8
	3/8" NPT	4-way, 3-position	1.4	2.72	HVN4400-10
	1/2" NPT	4-way, 3-position	1.5	3.26	HVN4400-15

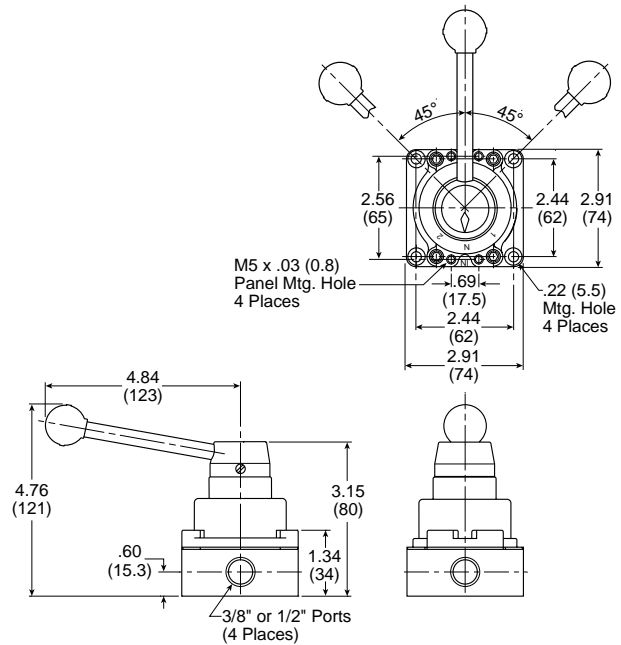
Service kits

Description	Valve size	Part number
Disk & seal service kits	HV4200	HVRK420001
	HV4400	HVRK440001



HVN4200-8

Most popular. For technical information see CD



HVN4400-10, 15

Brass Poppet / Sliding Seal

LV-EZ Series Lockout Valves

M0 Series

Viking Xtreme Lever Series

42 Lever / Pedal Series

Directair 2, Directair 4

D

Manual / Mechanical Valve Products

