

B Series, an exceptional performing industrial valve in a compact size with an enhanced flow range.

Available in solenoid pilot operated and remote air pilot models. The B series features Parker's proven WCS (Wear Compensating Seal) system ensuring long life and fast response, making it ideally suited for OEM applications.

**Ports**

- B3: 1/8, 1/4 inch
- B5: 1/4, 3/8 inch
- B6: 3/8 inch
- B7: 1/2 inch
- B8: 3/4 inch

**Mounting**

- Inline
- Subbase
- IEM stackable base
- IEM aluminum bar
- 5-port subbase aluminum bar

**Solenoids**

- 1.2 W – 15mm, 3-pin EN175301-803
- 2.5 to 7.3 watt - conduit, grommet, 22mm & 30mm, 3-pin DIN (433650)
- 12VDC to 240VAC
- Female DIN electrical connectors

**Certification / Approval**

- Approved to be CE marked
- IP65 rated
- CSA, C/US

**Minimum operating pressure**

Operator / function	Internal pilot	Minimum PSIG (kPa)				
		B3	B5	B6	B7	B8
1. G. H	Single solenoid - air return					
2. A. J. S	Double solenoid	20 (138)	20 (138)	20 (138)	35 (241)	35 (241)
3. K. L	Single remote pilot - air return					
4. M	Double remote pilot					
5. 6. 7	Double solenoid - APB, CE, PC	30 (207)	30 (207)	30 (207)	45 (310)	45 (310)
8. 9. 0	Double remote pilot - APB, CE, PC					
E. V. W	Single solenoid - air return / spring assist	35 (241)	35 (241)	35 (241)	35 (241)	35 (241)
F. X. Y	Single remote pilot - air return / spring assist					
	<b>External pilot*†</b>					
All	"B" series					

\* External Pilot Pressure / Remote Pilot Signal 35-145 PSIG (241-1000 kPa).

† Not Available with B3 Dual 3/2.

**CSA-NRTL/C operating pressure**

Note: For CSA-NRTL/C approved solenoid valves – insert an 'L' at the end of the valve part number.

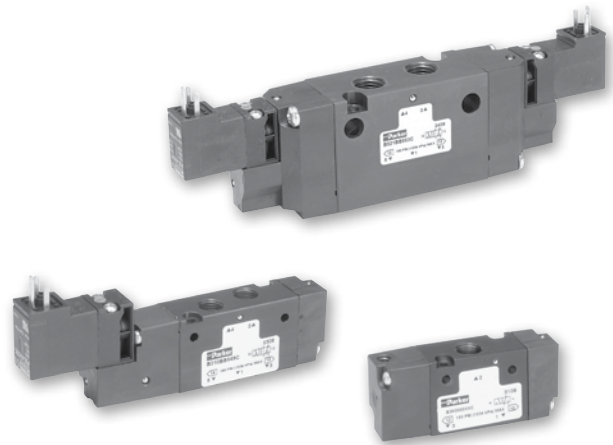
Valve	Maximum PSIG (kPa)
B3	120 (827)
B5 & B6	145 (1000)*§
B7 & B8	145 (1000)**

\* Enclosure Option E is CSA / FM approved at source. For certification of valve / solenoid assembly, consult factory.

† Not Available with Enclosure 5

§ Not available with Enclosures 0. 5 & X

Most popular. For technical information see CD



**Operating information**

Operating pressure:	Vacuum to 145 PSIG (Vacuum to 10 bar)
Minimum:	See chart below
CSA-NRTL/C:	See chart below
Operating temperature:	5°F to 120°F (-15°C to 49°C)

**Material specifications**

Body	Anodized aluminum
End caps	Nylon polymer - 33% glass filled
Seals	Nitrile
Solenoid	Polyamide
Spool	Aluminum

N Series

ADEX Series

Viking Xtreme Series

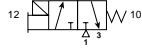
B Series

D

Inline Valve Products



**Single Solenoid, 3-way, 2-position, NC**



Symbol	Port size	Cv	Voltage	Valve type	Part number
	1/8"	0.75 Cv	120VAC 24VDC	B3 Inline	<b>B3G0BB553C</b> <b>B3G0BB549C</b>
	1/4"	1.4 Cv	120VAC 24VDC	B5 Inline	<b>B5G1BB553C</b> <b>B5G1BB549C</b>
	3/8"	1.4 Cv	120VAC 24VDC	B5 Inline	<b>B5G2BB553C</b> <b>B5G2BB549C</b>
	3/8"	2.7 Cv	120VAC 24VDC	B6 Inline	<b>B6V2BB553A</b> <b>B6V2BB549A</b>
	1/2"	5.9 Cv	120VAC 24VDC	B7 Inline	<b>B7V3BB553A</b> <b>B7V3BB549A</b>
	3/4"	7.0 Cv	120VAC 24VDC	B8 Inline	<b>B8V4BB553A</b> <b>B8V4BB549A</b>

B3 shown, 3-Pin DIN 43650C electrical connection. Non-locking flush override.

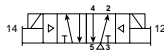
**Single Solenoid, 4-way, 2-position**



Symbol	Port size	Cv	Voltage	Valve type	Part number
	1/8"	0.75 Cv	120VAC 24VDC	B3 Inline	<b>B310BB553C</b> <b>B310BB549C</b>
	1/4"	1.4 Cv	120VAC 24VDC	B5 Inline	<b>B511BB553C</b> <b>B511BB549C</b>
	3/8"	1.4 Cv	120VAC 24VDC	B5 Inline	<b>B512BB553C</b> <b>B512BB549C</b>
	3/8"	2.7 Cv	120VAC 24VDC	B6 Inline	<b>B612BB553A</b> <b>B612BB549A</b>
	1/2"	5.9 Cv	120VAC 24VDC	B7 Inline	<b>B713BB553A</b> <b>B713BB549A</b>
	3/4"	7.0 Cv	120VAC 24VDC	B8 Inline	<b>B814BB553A</b> <b>B814BB549A</b>
	Less base	0.65 Cv	120VAC 24VDC	B3 Subbase	<b>B31VBB553C</b> <b>B31VBB549C</b>

B3 shown, 3-Pin DIN 43650C electrical connection. Non-locking flush override.

**Double Solenoid, 4-way, 2-position**



Symbol	Port size	Cv	Voltage	Valve type	Part number
	1/8"	0.75 Cv	120VAC 24VDC	B3 Inline	<b>B320BB553C</b> <b>B320BB549C</b>
	1/4"	1.4 Cv	120VAC 24VDC	B5 Inline	<b>B521BB553C</b> <b>B521BB549C</b>
	3/8"	1.4 Cv	120VAC 24VDC	B5 Inline	<b>B522BB553C</b> <b>B522BB549C</b>
	3/8"	2.7 Cv	120VAC 24VDC	B6 Inline	<b>B622BB553A</b> <b>B622BB549A</b>
	1/2"	5.9 Cv	120VAC 24VDC	B7 Inline	<b>B723BB553A</b> <b>B723BB549A</b>
	3/4"	7.0 Cv	120VAC 24VDC	B8 Inline	<b>B824BB553A</b> <b>B824BB549A</b>
	Less base	0.65 Cv	120VAC 24VDC	B3 Subbase	<b>B32VBB553C</b> <b>B32VBB549C</b>

B5 shown, 3-Pin DIN 43650C electrical connection. Non-locking flush override.

N Series  
 ADEX Series  
 Viking Xtreme Solenoid  
 B Series  
 D Inline Valve Products



**Double Solenoid, 4-way, 3-position, APB**



Symbol	Port size	Cv	Voltage	Valve type	Part number
	1/8"	0.60 Cv	120VAC 24VDC	B3 Inline	<b>B350BB553C</b> <b>B350BB549C</b>
	1/4"	1.1 Cv	120VAC 24VDC	B5 Inline	<b>B551BB553C</b> <b>B551BB549C</b>
	3/8"	1.1 Cv	120VAC 24VDC	B5 Inline	<b>B552BB553C</b> <b>B552BB549C</b>
	3/8"	2.1 Cv	120VAC 24VDC	B6 Inline	<b>B652BB553A</b> <b>B652BB549A</b>
	1/2"	5.7 Cv	120VAC 24VDC	B7 Inline	<b>B753BB553A</b> <b>B753BB549A</b>
	3/4"	6.6 Cv	120VAC 24VDC	B8 Inline	<b>B854BB553A</b> <b>B854BB549A</b>
	Less base	0.50 Cv	120VAC 24VDC	B3 Subbase	<b>B35VBB553C</b> <b>B35VBB549C</b>

B5 shown, 3-Pin DIN 43650C electrical connection. Non-locking flush override.

**Double Solenoid, 4-way, 3-position, CE**



Symbol	Port size	Cv	Voltage	Valve type	Part number
	1/8"	0.60 Cv	120VAC 24VDC	B3 Inline	<b>B360BB553C</b> <b>B360BB549C</b>
	1/4"	1.1 Cv	120VAC 24VDC	B5 Inline	<b>B561BB553C</b> <b>B561BB549C</b>
	3/8"	1.1 Cv	120VAC 24VDC	B5 Inline	<b>B562BB553C</b> <b>B562BB549C</b>
	3/8"	2.1 Cv	120VAC 24VDC	B6 Inline	<b>B662BB553A</b> <b>B662BB549A</b>
	1/2"	5.7 Cv	120VAC 24VDC	B7 Inline	<b>B763BB553A</b> <b>B763BB549A</b>
	3/4"	6.6 Cv	120VAC 24VDC	B8 Inline	<b>B864BB553A</b> <b>B864BB549A</b>
	Less base	0.50 Cv	120VAC 24VDC	B3 Subbase	<b>B36VBB553C</b> <b>B36VBB549C</b>

B5 shown, 3-Pin DIN 43650C electrical connection. Non-locking flush override.

**Double Solenoid, 4-way, 3-position, PC**



Symbol	Port size	Cv	Voltage	Valve type	Part number
	1/8"	0.60 Cv	120VAC 24VDC	B3 Inline	<b>B370BB553C</b> <b>B370BB549C</b>
	1/4"	1.1 Cv	120VAC 24VDC	B5 Inline	<b>B571BB553C</b> <b>B571BB549C</b>
	3/8"	1.1 Cv	120VAC 24VDC	B5 Inline	<b>B572BB553C</b> <b>B572BB549C</b>
	3/8"	2.1 Cv	120VAC 24VDC	B6 Inline	<b>B672BB553A</b> <b>B672BB549A</b>
	1/2"	5.7 Cv	120VAC 24VDC	B7 Inline	<b>B773BB553A</b> <b>B773BB549A</b>
	3/4"	6.6 Cv	120VAC 24VDC	B8 Inline	<b>B874BB553A</b> <b>B874BB549A</b>
	Less base	0.50 Cv	120VAC 24VDC	B3 Subbase	<b>B37VBB553C</b> <b>B37VBB549C</b>

B5 shown, 3-Pin DIN 43650C electrical connection. Non-locking flush override.

**N Series**  
**ADEX Series**  
**Viking Xtreme Series**  
**B Series**  
**D**  
**Inline Valve Products**



**Single Remote Pilot, 3-way, 2-position, NC**



Symbol	Port size	Cv	Valve type	Part number
	1/8"	0.75 Cv	B3 Inline, remote pilot	<b>B3K0000XXC</b>
	1/4"	1.4 Cv	B5 Inline, remote pilot	<b>B5K1000XXC</b>
	3/8"	1.4 Cv	B5 Inline, remote pilot	<b>B5K2000XXC</b>
	3/8"	2.7 Cv	B6 Inline, remote pilot	<b>B6X2000XXA</b>
	1/2"	5.9 Cv	B7 Inline, remote pilot	<b>B7X3000XXA</b>
	3/4"	7.0 Cv	B8 Inline, remote pilot	<b>B8X4000XXA</b>
	Less base	0.65 Cv	B3 Subbase, remote pilot	<b>B33V000XXC</b>

B3 Shown, M5 remote pilot ports

**Single Remote Pilot, 4-way, 2-position**



Symbol	Port size	Cv	Valve type	Part number
	1/8"	0.75 Cv	B3 Inline, remote pilot	<b>B330000XXC</b>
	1/4"	1.4 Cv	B5 Inline, remote pilot	<b>B531000XXC</b>
	3/8"	1.4 Cv	B5 Inline, remote pilot	<b>B532000XXC</b>
	3/8"	2.7 Cv	B6 Inline, remote pilot	<b>B632000XXA</b>
	1/2"	5.9 Cv	B7 Inline, remote pilot	<b>B733000XXA</b>
	3/4"	7.0 Cv	B8 Inline, remote pilot	<b>B834000XXA</b>
	Less base	0.65 Cv	B3 Subbase, remote pilot	<b>B33V000XXC</b>

B5 Shown, M5 remote pilot ports

**Double Remote Pilot, 4-way, 2-position**



Symbol	Port size	Cv	Valve type	Part number
	1/8"	0.75 Cv	B3 Inline, remote pilot	<b>B340000XXC</b>
	1/4"	1.4 Cv	B5 Inline, remote pilot	<b>B541000XXC</b>
	3/8"	1.4 Cv	B5 Inline, remote pilot	<b>B542000XXC</b>
	3/8"	2.7 Cv	B6 Inline, remote pilot	<b>B642000XXA</b>
	1/2"	5.9 Cv	B7 Inline, remote pilot	<b>B743000XXA</b>
	3/4"	7.0 Cv	B8 Inline, remote pilot	<b>B844000XXA</b>
	Less base	0.65 Cv	B3 Subbase, remote pilot	<b>B34V000XXC</b>

B5 Shown, M5 remote pilot ports

**Double Remote Pilot, 4-way, 3-position, APB**



Symbol	Port size	Cv	Valve type	Part number
	1/8"	0.60 Cv	B3 Inline, remote pilot	<b>B380000XXC</b>
	1/4"	1.1 Cv	B5 Inline, remote pilot	<b>B581000XXC</b>
	3/8"	1.1 Cv	B5 Inline, remote pilot	<b>B582000XXC</b>
	3/8"	2.1 Cv	B6 Inline, remote pilot	<b>B682000XXA</b>
	1/2"	5.7 Cv	B7 Inline, remote pilot	<b>B783000XXA</b>
	3/4"	6.6 Cv	B8 Inline, remote pilot	<b>B884000XXA</b>
	Less Base	0.50 Cv	B3 Subbase, remote pilot	<b>B38V000XXC</b>

B5 Shown, M5 remote pilot ports

N Series  
 ADEX Series  
 Viking Xtreme Solenoid  
 B Series  
 D Inline Valve Products

**B3 Subbase Side Ported Subbase Manifold, Subbase Valves Only**



Valve series	Valve function	## – Stations	Manifold only (NPT)	Manifold only (BSPP)
B3	4-way	02 to 12	<b>PSJ3B1N##NP</b>	<b>PSJ3B1G##NP</b>

Kits include: (1) manifold, valve hold down bolts, gaskets. For external pilot valve option "X", external manifold galley must be pressurized. Replace ## with number of valve stations.

**B3 Subbase Side Ported Subbase Manifold Add-A-Fold Assembly**



Valve series	Valve function	## – Stations	Manifold assembly (NPT)	Manifold assembly (BSPP)
B3	4-way	02 to 12	<b>AAPSJ3B1N##NP</b>	<b>AAPSJ3B1G##GP</b>

Kits include: (1) manifold, valve hold down bolts, gaskets and assembly. For external pilot valve option "X", external manifold galley must be pressurized.

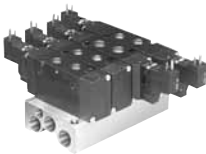
**IEM Bar Manifold, Inline Valves Only**



Valve series	Valve function	## – Stations	Manifold only (NPT)	Manifold only (BSPP)
B3	3-way	02 to 12	<b>PSG3BXN##NP</b>	<b>PSG3BXG##NP</b>
B3	4-way	02 to 12	<b>PSM3BXN##NP</b>	<b>PSM3BXG##NP</b>
B5	3-way	02 to 12	<b>PSG5BXN##NP</b>	<b>PSG5BXG##NP</b>
B5	4-way	02 to 12	<b>PSM5BXN##NP</b>	<b>PSM5BXG##NP</b>
B6	3-way	02 to 12	<b>PSG6BXN##NP</b>	<b>PSG6BXG##NP</b>
B6	4-way	02 to 12	<b>PSM6BXN##NP</b>	<b>PSM6BXG##NP</b>
B7, B8	4-way	02 to 12	<b>PSM7BXN##NP</b>	<b>PSM7BXG##NP</b>

Kits include: (1) manifold, valve hold down bolts, gaskets. For external pilot valve option "X", external manifold galley must be pressurized.

**IEM Bar Manifold Add-A-Fold Assembly**



Valve series	Valve function	## – Stations	Manifold assembly (NPT)	Manifold assembly (BSPP)
B3	3-way	02 to 12	<b>AAPSG3BXN##NP</b>	<b>AAPSG3BXG##NP</b>
B3	4-way	02 to 12	<b>AAPSM3BXN##NP</b>	<b>AAPSM3BXG##NP</b>
B5	3-way	02 to 12	<b>AAPSG5BXN##NP</b>	<b>AAPSG5BXG##NP</b>
B5	4-way	02 to 12	<b>AAPSM5BXN##NP</b>	<b>AAPSM5BXG##NP</b>
B6	3-way	02 to 12	<b>AAPSG6BXN##NP</b>	<b>AAPSG6BXG##NP</b>
B6	4-way	02 to 12	<b>AAPSM6BXN##NP</b>	<b>AAPSM6BXG##NP</b>
B7, B8	4-way	02 to 12	<b>AAPSM7BXN##NP</b>	<b>AAPSM7BXG##NP</b>

Kits include: (1) manifold, valve hold down bolts, gaskets and assembly. For external pilot valve option "X", external manifold galley must be pressurized.

**How to Order:** 1. List Add-A-Fold Assembly Part Number as line item 1

2. List the desired valves series part number in subsequent line items after the Add-A-Fold Assembly part number to complete the ordering code. Include all valves and blanking kits required. The left most station is station # 1 looking at the #12 end of the manifold.

**Example:** B3, 4-way manifold with station #1 blanked off with valves assembled

Line	Qty	Part number	Comment
1	1	AAPSM3BXN03NP	Add-A-Fold Assembly
2	1	PS2920P	Blank Plate - station 1
3	2	B3100BB549C	4-way B3 - station 2, 3

N Series  
 ADEX Series  
 Viking Xtreme Series  
 B Series  
 D  
 Inline Valve Products



**IEM Stackable Manifolds**

- Individual Manifold Bases stack together to form lightweight custom length manifold system.
- Easy-to-connect male / female tie rods for modular assembly.
- Utilizes B3 and B5 4-way Inline Valves.
- Low-cost built-in Flow Controls with heavy-duty brass adjusting needles to control meter-out exhaust flow.
- Accessories include Isolator Plugs for pressure isolation and Universal Blanking Plates for auxiliary inlet and exhaust supply and future valve additions.

Series	Type	Kit number	
		Standard	Flow control
B3	4-way	PS2917P	PS2918P
B5	4-way	PS2817P	PS2818P

Kit includes: (1) manifold base, (2) hold-down bolts, tie-rods, gaskets and o-rings.

**Isolator Plugs**

Series	Description	Kit number
B3	4-way, IEM stackable	PS2919P
B5	4-way, IEM stackable	PS2819P

Used to isolate the #1, #3 or #5 gallery between two manifold bases. (IEM stackable only)

Kit includes: (3) plugs and (6) o-rings

**End Plate Kits**

Series	Type	Kit number
B3	4-way, NPT	PS2915P
B5	4-way, NPT	PS2815P

Kit includes: right and left end plate, o-rings, socket head cap screws, flat washers and lockwashers.

**Single Subbase, Subbase Valves Only**

Series	Type	Kit number
B3	4-way, 1/4" NPT	PS2934P
B5	4-way, 3/8" NPT	PS2834P

Kit includes: (1) subbase.  
 (Hold down bolts & gasket are included with valve.)

**Blanking Plate**

Series	Type	IEM universal		IEM Subbase	
		NPT	BSPG "G"	Blank	Blank
B3	3-way	PS2966P	PS2967P	PS2968P	—
	4-way	PS2920P	PS2921P	PS2969P	PS2994P
B5	3-way	PS2866P	PS2867P	PS2868P	—
	4-way	PS2820P	—	PS2869P	—
B6	3-way 4-way	PS2620P	—	—	—
B7-B8	4-way	PS2520P	—	PS2569P	—

Kit includes: (1) plate, (2) screws, seal / gaskets

**DIN Rail**

Valve type	Length	Part number
B3	6 Feet	AM1DE200

**DIN Rail Hardware Kit**

Valve type	IEM bar	Part number
B3	(2) Screws, (2) Nuts, (2) Clamps	PS2991P

N Series  
 ADEX Series  
 Viking Xtreme Solenoid  
 B Series  
 D Inline Valve Products



**B3 Series**

**B3 1 0 B B 5 49 - C**

Basic series	
B3 series	B3

Engineering level	
C	Current

Operator Function	
<b>3-way</b>	
Single solenoid, 2-position NC - air return	G
Single solenoid, 2-position NO - air return	H
Double solenoid, 2-position	J
Single remote pilot, 2-position NC - air return	K
Single remote pilot, 2-position NO - air return	L
Double remote pilot, 2-position	M
Single solenoid, 2-position NC - air return / spring assist	V
Single solenoid, 2-position NO - air return / spring assist	W
Single remote pilot, 2-position NC - air return / spring assist	X
Single remote pilot, 2-position NO - air return / spring assist	Y
<b>4-way</b>	
Single solenoid, 2-position - air return	1
Double solenoid, 2-position	2
Single remote pilot, 2-position - air return	3
Double remote pilot, 2-position	4
Double solenoid, 3-position - APB	5
Double solenoid, 3-position - CE	6
Double solenoid, 3-position - PC	7
Double remote pilot, 3-position - APB	8
Double remote pilot, 3-position - CE	9
Double remote pilot, 3-position - PC	0
Single solenoid, 2-position - air return / spring assist	E
Single remote pilot, 2-position - air return / spring assist	F

Options	
Blank	None
02	Solenoid rotated 180° - pins down

	Voltage <sup>§</sup>		
	AC		DC
	60Hz	50Hz	
42	24	22	
45			12
49			24
53	120	110	
57	240	230	
XX	Remote pilot - M5 or valve less 15mm solenoid		
YY	Remote pilot - 5/32" (4mm) tube		

Enclosure / lead length	
0	None, remote pilot valve
5	15mm 3-pin DIN 43650C (male only)
X	Valve less 15mm solenoid

Overrides <sup>§</sup>	
0	None, remote pilot valve
B	Flush - non-locking
C	Flush - locking
D	Extended - non-locking
E	Extended - locking
X	Valve less 15mm solenoid

Port size / thread type	
<b>3-way</b>	
1/8" NPT inline	0*
1/8" BSPP "G" inline	5*
<b>4-way</b>	
1/8" NPT inline	0*
1/8" BSPP "G" inline	5*
1/4" NPT subbase	H†
1/8" NPT face mount	T**
Subbase valve less base	V‡

\* Available for use on IEM Manifolds.  
 \*\* 4-way only.  
 ‡ Subbase valves available for 4-way valves only.

Pilot source / pilot exhaust	
0	None, remote pilot valve
B†	Internal - port #1 / vented
E*	Dual pressure - port #3 / vented
K†	External - body / tapped M5
X‡	External - manifold / vented

\* Not available for 3-way Valves.  
 † Not available for Remote Pilot Valves.  
 ‡ See Pilot Source Note below.

§ Enclosure '5'  
 - Override / Voltage Availability  
 S - Standard  
 O - Option

Voltage code	Override code Standard			
	B	C	D	E
42	O	O	-	-
45	O	O	-	-
49	S	S	O	O
53	S	S	O	O
57	O	O	-	-
Voltage code	"02" Option			
	B	C	D	E
42	O	O	-	-
45	O	O	-	-
49	S	S	O	O
53	S	S	O	O
57	O	O	-	-

N Series  
 ADEX Series  
 Viking Xtreme Series  
 B Series  
 D Inline Valve Products

**Pilot Source 'X'**  
 External-Manifold / Vented

**INLINE & SUBBASE Valves -**  
 Only used IF an IEM or 5-Ported Subbase Aluminum Bar Manifold requires a common external pilot signal thru the manifold for low pressure / vacuum applications OR when used with Sandwich Regulators.

Most popular. For technical information see CD



**B5 Series**

**B5 1 1 B B 5 49 - C**

**Basic series**  
 B5 series **B5**

**Engineering level**  
**C** Current

Operator function	
<b>3-way</b>	
Single solenoid, 2-position NC - air return	<b>G</b>
Single solenoid, 2-position NO - air return	H
Double solenoid, 2-position	J
<b>Single remote pilot, 2-position NC - air return</b>	<b>K*</b>
Single remote pilot, 2-position NO - air return	L*
Double remote pilot, 2-position	M*
Single solenoid, 2-position NC - air return / spring assist	V
Single solenoid, 2-position NO - air return / spring assist	W
Single remote pilot, 2-position NC - air return / spring assist	X*
Single remote pilot, 2-position NO - air return / spring assist	Y*
<b>4-way</b>	
Single solenoid, 2-position - air return	<b>1</b>
Double solenoid, 2-position	<b>2</b>
Single remote pilot, 2-position - air return	<b>3*</b>
Double remote pilot, 2-position	<b>4*</b>
Double solenoid, 3-position - APB	<b>5</b>
Double solenoid, 3-position - CE	6
Double solenoid, 3-position - PC	7
Double remote pilot, 3-position - APB	<b>8*</b>
Double remote pilot, 3-position - CE	9*
Double remote pilot, 3-position - PC	0*
Single solenoid, 2-position - air return / spring assist	E
Single remote pilot, 2-position - air return / spring assist	F*

Options	
<b>Blank</b>	<b>None</b>
02	Solenoid rotated 180° - pins down
MD†	Manual detent
VO*	Fluorocarbon seals

\* Not available with enclosure "0", "5", "X", "E" or "F".  
 † Only available with operator function 1 & 3 and Enclosure "N", "X" or mobile voltages upon request.

	AC		DC
	60Hz	50Hz	
42	24	22	
45			12
<b>49</b>			<b>24</b>
<b>53</b>	<b>120</b>	<b>110</b>	
57	240	230	
<b>XX</b>	Remote pilot - M5 or valve less solenoid		
YY	Remote pilot - 5/32" (4mm) tube		

Enclosure / lead length	
0	None, remote pilot valve
<b>5</b>	<b>15mm 3-pin DIN 43650C (male only)</b>
A	30mm square 3-pin - ISO 4400 form A (male only)
B	22mm rectangular 3-pin - type B industrial (male only)
C	3-pin automotive - mini
D	5-pin automotive - mini
E*	Intrinsically safe - 30mm 3-pin
F**	Hazardous duty 1/2" NPT conduit - 18" leads
<b>G</b>	<b>Grommet - 18" leads</b>
<b>H</b>	<b>1/2" NPT conduit - 18" leads</b>
N	Valve less "A-R" coil
Q	Grommet - 72" leads
R	1/2" NPT conduit - 72" leads
X	Valve less 15mm solenoid

\* 24 VDC & override "A" only.  
 \*\* 12 VDC, 24 VDC, 120 VAC or 240 VAC.

Port Size / Thread Type	
<b>3-way</b>	
1/4" NPT inline	1*
<b>3/8" NPT inline</b>	<b>2*</b>
1/4" BSPP "G" inline	6*
3/8" BSPP "G" inline	7*
<b>4-way</b>	
<b>1/4" NPT inline</b>	<b>1*</b>
<b>3/8" NPT inline</b>	<b>2*</b>
1/4" BSPP "G" inline	6*
3/8" BSPP "G" inline	7*
3/8" NPT subbase	J†
1/4" NPT NAMUR mount	T††
Subbase valve less base - NPT	V‡
1/4" BSPP "G" NAMUR mount	W††

Pilot Source / Pilot Exhaust	
<b>Enclosures "0, 5 &amp; X"</b>	
None, remote pilot valve	0
Internal - port #1 / tapped M5	A†
<b>Internal - port #1 / vented</b>	<b>B†</b>
Dual pressure - port #3 / vented	E*
External - body / tapped M5	K†
External - manifold / vented	X†
<b>Enclosures "A, B, C, D, E, F, G, H, N, Q &amp; R"</b>	
<b>Internal - port #1 / tapped M5</b>	<b>A†</b>
<b>Internal - port #1 / vented</b>	<b>B†</b>
Dual pressure - port #3 / tapped M5	D††
External - body / tapped 1/8"	K†

\* Available for use on IEM manifolds.  
 † 4-way only.  
 ‡ Available with pilot source "0", "A", and "B" only.

\* Not available for 3-way valves.  
 † Not available for remote pilot valves.  
 ‡ See pilot source note below.

**Pilot Source 'X'**  
 External-Manifold / Vented or Tapped M5

**INLINE & SUBBASE Valves -**  
 Only used IF an IEM Aluminum Bar Manifold requires a common external pilot signal thru the manifold for low pressure / vacuum applications.

Overrides§	
<b>None. Remote pilot valve</b>	<b>0</b>
No override	A†
<b>Flush - non-locking</b>	<b>B*</b>
<b>Flush - locking</b>	<b>C</b>
Extended - non-locking	D
Extended - locking	E*
Valve less 15mm solenoid	X

\* Only available with encl. "5".  
 † Only available with encl. "E".

**Note:** for mobile voltages, contact the application team.

§ Enclosure '5' - Override / Voltage Availability

S - Standard  
 O - Option

Voltage code	Override code Standard				Voltage code	Override code "02" Option			
	B	C	D	E		B	C	D	E
42	O	O	-	-	42	O	O	-	-
45	O	O	-	-	45	O	O	-	-
49	S	S	O	O	49	S	S	O	O
53	S	S	O	O	53	S	S	O	O
57	O	O	-	-	57	O	O	-	-

□ Most popular. For technical information see CD





**B6 Series**

**B6 1 2 B B 5 49 - A**

Basic series	
B6 series	B6

Engineering level	
A	Current

Operator function	
<b>3-way</b>	
Single solenoid, 2-position NC - air return / spring assist	V
Single solenoid, 2-position NO - air return / spring assist	W
Single remote pilot, 2-position NC - air return / spring assist	X
Single remote pilot, 2-position NO - air return / spring assist	Y
<b>4-way</b>	
Single solenoid, 2-position - air return	1
Double solenoid, 2-position	2
Single remote pilot, 2-position - air return	3
Double remote pilot, 2-position	4
Double solenoid, 3-position - APB	5
Double solenoid, 3-position - CE	6
Double solenoid, 3-position - PC	7
Double remote pilot, 3-position - APB	8
Double remote pilot, 3-position - CE	9
Double remote pilot, 3-position - PC	0
Single solenoid, 2-position - air return / spring assist	E
Single remote pilot, 2-position - air return / spring assist	F

Options	
Blank	None
02	Solenoid rotated 180° - pins down
42*	Series cylinder mount replacement

\* Only available with port size "T" and "O", "A", "B", and "L" pilot source.

	Voltage <sup>§</sup>		
	AC		DC
	60Hz	50Hz	
42	24	22	
45			12
49			24
53	120	110	
57	240	230	
XX	Remote pilot - M5 or valve less 15mm solenoid		
YY	Remote pilot - 5/32" (4mm) tube		

Port size / thread type	
<b>3-way / 4-way</b>	
3/8" NPT inline	2*
3/8" BSPP "G" inline	7*
3/8" NPT NAMUR mount	T†

\* Available for use on IEM manifolds.

† 4-way only. Available with pilot source "O", "A", "B" and "L" only.

Pilot source / pilot exhaust	
<b>Enclosures "0, 5 &amp; X"</b>	
None. Remote pilot valve	0
Internal - Port #1 / tapped M5	A†
<b>Internal - Port #1 / vented</b>	<b>B†</b>
Dual pressure - port #5 / vented	H
External - Body / tapped M5	K†
<b>Enclosures "A, B, C, D, E, F, G, H, N, Q &amp; R"</b>	
Internal - Port #1 / tapped M5	A†
<b>Internal - Port #1 / vented</b>	<b>B†</b>
External - Body / tapped 1/8"	K†

\* Not available for 3-way valves.

† Not available for remote pilot valves.

Overrides <sup>§</sup>	
None, remote pilot valve	0
No override	A†
<b>Flush - non-locking</b>	<b>B*</b>
<b>Flush - locking</b>	<b>C</b>
Extended - non-locking	D
Extended - locking	E*
Valve less 15mm solenoid	X

\* Only available with enclosure "5".

† Only available with enclosure "E".

Enclosure / lead length	
0	None, remote pilot valve
<b>5</b>	<b>15mm 3-pin DIN 43650C (male only)</b>
A	30mm square 3-pin - ISO 4400 form A (male only)
B	22mm rectangular 3-pin - Type B industrial (male only)
E*	Intrinsically safe - 30mm 3-pin
F**	Hazardous duty 1/2" NPT conduit - 18" leads
<b>G</b>	<b>Grommet - 18" leads</b>
<b>H</b>	<b>1/2" NPT conduit - 18" leads</b>
N	Valve less "A - R" coil
Q	Grommet - 72" leads
R	1/2" NPT conduit - 72" leads
X	Valve less 15mm solenoid

\* 24 VDC & override "A" only.

\*\* 12 VDC, 24 VDC, 120 VAC or 240 VAC.

§ Enclosure '5' - Override / Voltage Availability

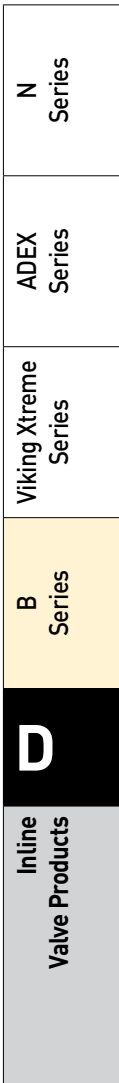
S - Standard

O - Option

Voltage code	Override code Standard				Voltage code	Override code "02" Option			
	B	C	D	E		B	C	D	E
42	O	O	-	-	42	O	O	-	-
45	O	O	-	-	45	O	O	-	-
49	S	S	O	O	49	S	S	O	O
53	S	S	O	O	53	S	S	O	O
57	O	O	-	-	57	O	O	-	-

**INLINE Valves -**  
 Only used IF an IEM Aluminum Bar Manifold requires a common external pilot signal thru the manifold for low pressure / vacuum applications.

Most popular. For technical information see CD



**B7 & B8 Series**

Series N  
 Series ADEX  
 Solenoid Viking Xtreme  
 Series B  
 Inline Valve Products D

**B7 1 3 A B G 53 - A**

Basic series	
B7 series	B7
B8 series	B8

Engineering level	
A	Current

Options	
Blank	None

Operator function	
<b>3-way</b>	
Single solenoid, 2-position NC - air return / spring assist	V
Single solenoid, 2-position NO - air return / spring assist	W
Single remote pilot, 2-position NC - air return / spring assist	X
Single remote pilot, 2-position NO - air return / spring assist	Y
<b>4-way</b>	
Single solenoid, 2-position - air return	1
Double solenoid, 2-position	2
Single remote pilot, 2-position - air return	3
Double remote pilot, 2-position	4
Double solenoid, 3-position - APB	5
Double solenoid, 3-position - CE	6
Double solenoid, 3-position - PC	7
Double remote pilot, 3-position - APB	8
Double remote pilot, 3-position - CE	9
Double remote pilot, 3-position - PC	0
Single solenoid, 2-position - air return / spring assist	E
Single remote pilot, 2-position - air return / spring assist	F

	Voltage <sup>§</sup>		
	AC		DC
	60Hz	50Hz	
42	24	22	
45			12
49			24
53	120	110	
57	240	230	
XX	Remote pilot - M5 or valve less solenoid		
YY	Remote pilot - 5/32" (4mm) tube		

Port size / thread type	
<b>B7 series</b>	
1/2" NPT inline	3*
1/2" BSPP "G" inline	8*
<b>B8 series</b>	
3/4" NPT inline	4*
3/4" BSPP "G" inline	9*

\* Available for use on IEM manifolds.

Enclosure / lead length	
0	None, remote pilot valve
5	15mm 3-pin DIN 43650C (male only)
A	30mm square 3-pin - ISO 4400 form A (male only)
B	22mm rectangular 3-pin - Type B industrial (male only)
E*	Intrinsically safe - 30mm 3-pin
F**	Hazardous duty 1/2" NPT conduit - 18" leads
G	Grommet - 18" leads
H	1/2" NPT conduit - 18" leads
N	Valve less "A - R" coil
R	1/2" NPT conduit - 72" leads
X	Valve less 15mm solenoid

\* 24 VDC & Override "A" only.

\*\* 12 VDC, 24 VDC, 120 VAC or 240 VAC.

Pilot source / pilot exhaust	
<b>Enclosures "0, 5 &amp; X"</b>	
None. Remote pilot valve	0
Internal - Port #1 / tapped M5	A†
Internal - Port #1 / vented	B†
External - Body / tapped M5	K†
<b>Enclosures "A, B, C, D, E, F, G, H, N, Q &amp; R"</b>	
Internal - Port #1 / tapped M5	A†
Internal - Port #1 / vented	B†
External - Body / tapped 1/8"	K†

† Not available for remote pilot valves.

Overrides <sup>§</sup>	
None, remote pilot valve	0
No override	A†
Flush - non-locking	B*
Flush - locking	C
Extended - non-locking	D
Extended - locking	E*
Valve less 15mm solenoid	X

\* Only available with encl. "5".

† Only available with encl. "E".

§ Enclosure '5' - Override / Voltage Availability

S - Standard

O - Option

Voltage code	Override code			
	B	C	D	E
42	O	O	-	-
45	O	O	-	-
49	S	S	O	O
53	S	S	O	O
57	O	O	-	-

**INLINE Valves -**

Only used IF an IEM Aluminum Bar Manifold requires a common external pilot signal thru the manifold for low pressure / vacuum applications.

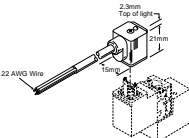


Voltage		Enclosure "5"			Voltage		Enclosure "A"			Enclosure "B" to "R"		
AC		Power consumption	Holding (Amps)	Code	AC		Power consumption	Holding (Amps)	Power consumption	Holding (Amps)	Code	
60Hz	50Hz				60Hz	50Hz						
42	24	22	1.6VA	.065	42	24	22	3.9VA	.136	7.3VA	.309	
45		12	1.2W	.098	45		12	2.6W	.208	4.6W	.365	
47*		12	0.91W	.074	47*		12	—	—	4.9W	.298	
48*		24	0.91W	.033	48*		24	—	—	4.8W	.142	
49		24	1.2W	.049	49		24	2.7W	.112	4.8W	.200	
53	120	110	1.6W	.013	53	120	110	4.1VA	.033	6.3VA	.047	
57	240	230	1.6W	.007	57	240	230	3.7VA	.017	6.4VA	.026	

**Note:** For enclosure "5" with "02" Option, solenoid wattage is 1.8W (2.4VA). Response time is 10% faster. Voltage rated +10 / -15%.

\* 47 and 48 code are mobile voltages. voltage +25 / -30%.

### 15mm 3-Pin DIN 43650C



	Cord length	Connector	Connector with cord
Unlighted	18 Inches	PS2932BP	PS2932HBP
Unlighted	6 Feet	PS2932BP	PS2932JBP
Light – 12VAC or DC	6 Feet	PS294675BP	PS2946J75BP*
Light – 24VAC or DC	6 Feet	PS294679BP	PS2946J79BP*
Light – 110/120VAC	6 Feet	PS294683BP	PS2946J83BP*
Light – 240/230VAC		PS294687BP	N/A

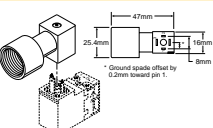
\* LED with surge suppression.

**Note:** Max ø6.5mm cable size required for connector w/o 6' (2m) cord. IP65 rated when properly installed.

#### Engineering data:

- Conductors: 2 poles plus ground
- Cable range (connector only): 4 to 6mm (0.16 To 0.24 Inch)
- Contact spacing: 8mm

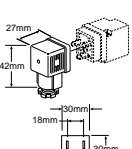
### 15mm 3-Pin DIN 43650C to 1/2" Conduit



Description	Connector
1/2" NPTF conduit – Unlighted with 3' (1m) leads 20 AWG wire	PS2998P

**Note:** Rated up to 250VAC or VDC; 6 amps IP65 rated when properly installed.

### 30mm Square 3-Pin – ISO 4400, DIN 43650A (Use with Enclosure "A")



Description	Connector with 6' (2m) cord	Connector
Unlighted	PS2028JCP	PS2028BP
Light – 6-48V, 50/60Hz, 6-48VDC	PS2032J79CP*	PS203279BP
Light – 120V/60Hz	PS2032J83CP*	PS203283BP
Light – 240V/60Hz	N/A	PS203283BP

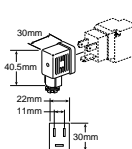
\* LED with surge suppression.

**Note:** Max ø6.5mm cable size required for connector w/o 6' (2m) cord. IP65 rated when properly installed.

#### Engineering data:

- Conductors: 2 poles plus ground; cable range (connector only): 8 to 10mm (0.31 To 0.39 Inch); contact spacing: 18mm

### 22mm Rectangular 3-Pin – Type B Industrial (Use with Enclosure "B")



Description	Connector with 6' (2m) cord	Connector
Unlighted	PS2429JBP	PS2429BP
Light – 24V60Hz, 24VDC	PS2430J79BP*	PS243079BP
Light – 120V/60Hz	PS2430J83BP*	PS243083BP
Light – 240V/60Hz	N/A	PS243087BP

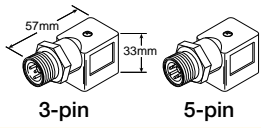
\* LED with surge suppression.

**Note:** Max ø6.5mm cable size required for connector w/o 6' (2m) cord. IP65 rated when properly installed.

#### Engineering Data:

- Conductors: 2 Poles Plus Ground; Cable Range (Connector Only): 6 to 8mm (0.24 to 0.31 Inch); Contact Spacing: 11mm

### 3-Pin / 5-Pin Male Automotive Connectors (Use on 22mm Rectangular 3-Pin Solenoid)



Description	3-pin	5-pin
Unlighted	PS2893CP	PS2893DP
Lighted - Voltage	PS2893C##P	PS2893D##P

## – 79 = 6 to 48VAC/VDC

83 = 100 to 240VAC/48 to 120 VDC

### Sandwich Regulators

- Use with B3 subbase valves on 5-ported subbase bar manifolds.
- Common port or dual port regulation control.
- Unregulated pressure supplied to valve pilot - use pilot source - 'X'.
- Easy adjust knob control.



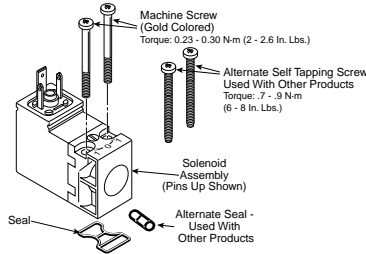
Pressure range	Cv	Common port with gauge *	Dual port without gauge
5-125 PSI	.33	PS2930166P	PS2930233P

\* Gauge is 160 PSI. Gauge shipped unassembled. For different gauge mounting configuration, use brass adapters listed at bottom of page.

**Solenoid Kits – B3 ‘C’, B5 ‘C’, B6 ‘A’, B7 ‘A’, B8 ‘A’ 3-Pin, EN175301-803 (Former DIN 43650C), 15mm**



**Standard**



**“02” Option**

**PS2982\*##P – Enclosure ‘5’**

	## Voltage						
Override	42	45	47*	48*	49	53	57
B	O	O	-	-	S	S	O
C	O	O	-	-	S	S	O
D	-	-	O	O	O	O	-
E	-	-	O	O	O	O	-

S - Standard; O - Option

\* Mobile voltage

Kit includes: Solenoid, (2) machine screws, (2) self threading screws, (1) gasket, (1) 3-cell gasket.

**PS3541 \*##P – Enclosure ‘5 with “02” Option**

	## Voltage				
Override	42	45	49	53	57
B	O	O	S	S	O
C	O	O	S	S	O
D	-	-	O	O	-
E	-	-	O	O	-

Series N

Series ADEX

Series Viking Xtreme Solenoid

Series B

D

Series Inline Valve Products

**Solenoid Kits Alternate Enclosures**

**P2FC A 4 49**

Enclosures / lead length	
30mm square 3-pin – ISO 4400 form A (male only)	A
22mm rectangular 3-pin – type B industrial (male only)	B
Hazardous duty, FM / CSA	F*
Grommet - 18" leads	G
1/2" NPT conduit - 18" leads	H
Grommet 72" leads	Q
1/2" Conduit 72" leads	R

Voltage / frequency	
42	24VAC
45	12VDC
47*	12 VDC mobile
48*	24 VDC mobile
49	24VDC
53	120VAC
57	240VAC

\* Only available with enclosures "A", "B" & "G".

\* Only available with voltage codes "45", "49", "53" & "57".



**Option A & E**  
 30mm Square  
 3-pin ISO 4400, DIN 43650A



**Option B**  
 22mm Rectangular  
 3-pin DIN, Type B Industrial



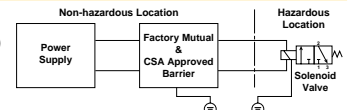
**Option G & Q**  
 Grommet, 18" or 72" Leads



**Option F, H & R**  
 1/2" Conduit, 18" or 72" Leads

**Intrinsically Safe Solenoid Valves (“E” Option)**

**Hazardous Location Class:**  
 Class I; Groups A, B, C & D  
 Class II; Groups E, F, & G  
 Class III; Div. I



For use in low voltage (24VDC) Intrinsically Safe applications.  
**NO OTHER VOLTAGE IS APPROVED.**

36mm coil width.

Comes standard with non-lighted solenoid connector.

**Must be connected to an FM approved Barrier.**

For dimensions, reference standard solenoid models.

Maximum internally piloted valve pressure is 115 PSIG.

Pressures to 145 PSIG can be used when external pilot is utilized and pilot pressure is limited to 115 PSIG.

**Intrinsically Safe Solenoid Pilot Assembly Kits**

Description	Part number
24VDC	<b>P2FS13N1AE49</b>

**Hazardous Duty Solenoid Valves (“F” Option)**

**Hazardous Location Class:**  
 Class I; Zone I EX, M, II & T4  
 Class I; Div. I. Groups A, B, C, & D  
 Class II & III; Div. I. Groups E, F, & G



Comes standard with 1/2" conduit connection.

Voltage range = ± 10%

Ambient temperature range = -20°C (-4°F) to 60°C (140°F)

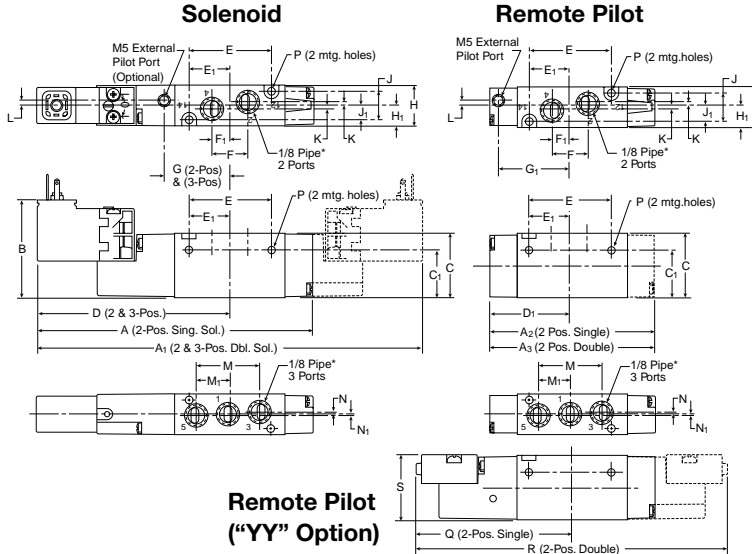
Duty factor = 100%

IP65 rated (with connected conduit connector)

**Notes:**

1. Maximum non-hazardous location voltage not to exceed 250V RMS.
2. Connect per Barrier Manufacturers instructions.
3. Factory Mutual requires connections per ISA RP 12.6 instructions.
4. CSA requires "Installation to be in accordance with the Canadian Electrical Code. Part I."
5. The hazardous duty coils are wider in size than both the B5 and the B6 valve. If mounted on a manifold, the valves need to be staggered to fit.

**B3 Single & Double Operators – 4-way Inline**

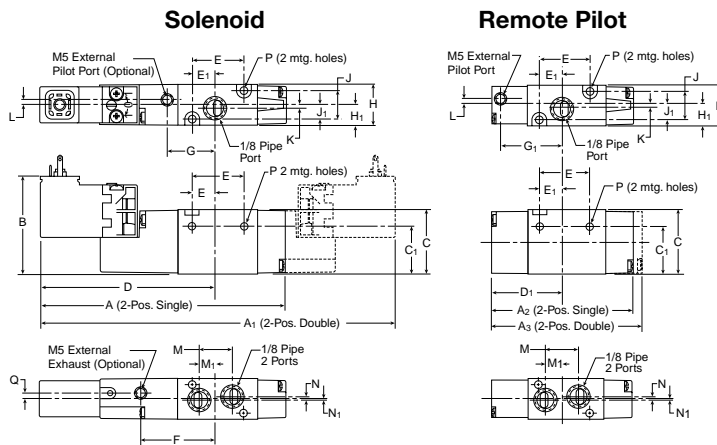


**B3 4-way Inline**

<b>A</b> 4.67 (119)	<b>A1</b> 6.44 (164)	<b>A2</b> 3.12 (79)	<b>A3</b> 3.33 (85)	<b>B</b> 1.66 (42)
<b>C</b> 1.13 (39)	<b>C1</b> .84 (21)	<b>D</b> 3.22 (82)	<b>D1</b> 1.66 (42)	<b>E</b> 1.47 (37)
<b>E1</b> .74 (19)	<b>F</b> .63 (16)	<b>F1</b> .32 (8)	<b>G</b> 1.13 (29)	<b>G1</b> 1.50 (38)
<b>H</b> .71 (18)	<b>H1</b> .36 (9)	<b>J</b> .51 (13)	<b>J1</b> .26 (7)	<b>K</b> .06 (2)
<b>L</b> .11 (3)	<b>M</b> 1.12 (28)	<b>M1</b> .56 (14)	<b>N</b> .05 (1)	<b>N1</b> .05 (1)
<b>P</b> Ø .13 (3.3)	<b>Q</b> 2.69 (68)	<b>R</b> 5.37 (136)	<b>S</b> 1.16 (29)	

Inches (mm)

**B3 Single & Double Operators – 3-way Inline**

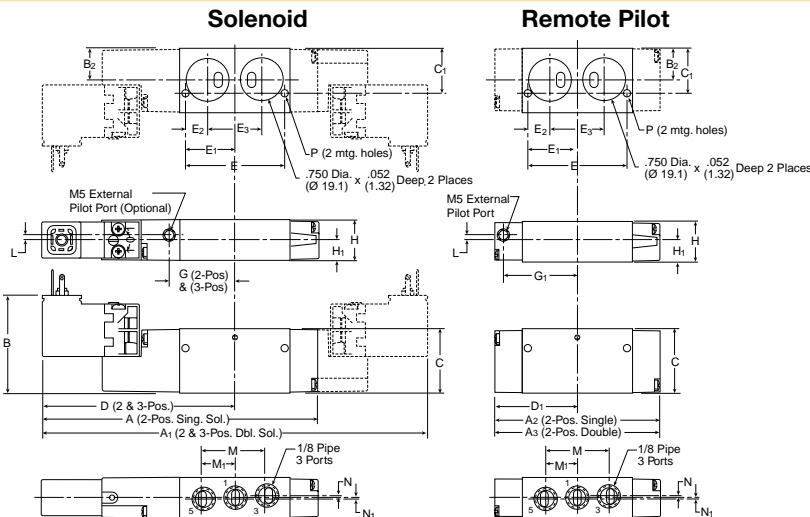


**B3 3-way Inline**

<b>A</b> 4.20 (107)	<b>A1</b> 5.96 (151)	<b>A2</b> 2.65 (67)	<b>A3</b> 2.86 (73)	<b>B</b> 1.66 (42)
<b>C</b> 1.13 (39)	<b>C1</b> .84 (21)	<b>D</b> 2.93 (74)	<b>D1</b> 1.38 (35)	<b>E</b> .98 (25)
<b>E1</b> .44 (11)	<b>F</b> 1.32 (34)	<b>G</b> .85 (22)	<b>G1</b> 1.22 (31)	<b>H</b> .71 (18)
<b>H1</b> .36 (9)	<b>J</b> .51 (13)	<b>J1</b> .26 (7)	<b>K</b> .06 (2)	<b>L</b> .11 (3)
<b>M</b> .63 (16)	<b>M1</b> .27 (7)	<b>N</b> .12 (3)	<b>N1</b> .06 (2)	<b>P</b> Ø .13 (3.3)
<b>Q</b> .08 (2)				

Inches (mm)

**B3 Single & Double Operators – 4-way Face Mount**



**B3 4-way Face Mount**

<b>A</b> 4.67 (119)	<b>A1</b> 6.44 (164)	<b>A2</b> 3.12 (79)	<b>A3</b> 3.33 (85)	<b>B</b> 1.66 (42)
<b>B2</b> .58 (15)	<b>C</b> 1.13 (29)	<b>C1</b> .81 (21)	<b>D</b> 3.22 (82)	<b>D1</b> 1.66 (42)
<b>E</b> 1.74 (44)	<b>E1</b> .87 (22)	<b>E2</b> .39 (10)	<b>E3</b> .95 (24)	<b>G</b> 1.13 (29)
<b>G1</b> 1.50 (38)	<b>H</b> .71 (18)	<b>H1</b> .36 (9)	<b>L</b> .11 (3)	<b>M</b> 1.12 (28)
<b>M1</b> .56 (14)	<b>N</b> .05 (1)	<b>N1</b> .05 (1)	<b>P</b> Ø .13 (3.3)	

Inches (mm)



N  
Series

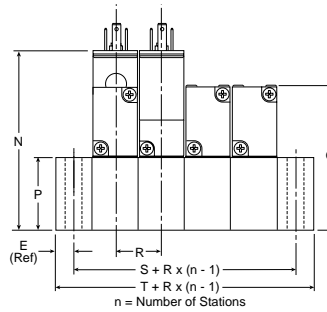
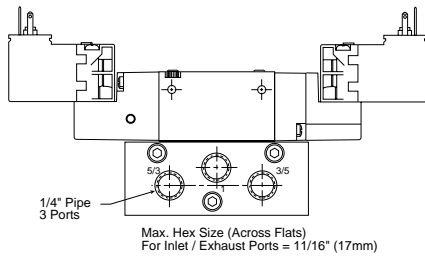
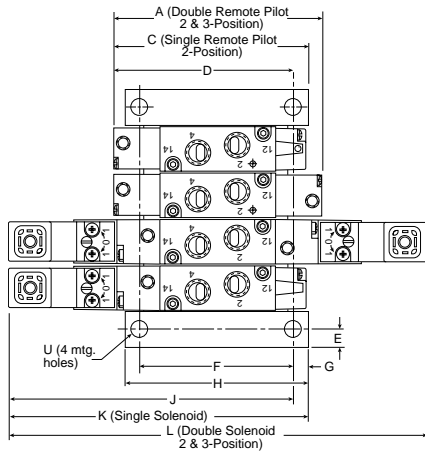
ADEX  
Series

Viking Xtreme  
Series

B  
Series

D  
Inline  
Valve Products

**B3 Single & Double Operators – 4-way IEM Stackable**



**B3 4-way IEM Stackable**

A	C	D	E	F
3.33 (84.6)	3.12 (79.2)	2.91 (73.9)	.30 (7.6)	2.49 (63.3)
G	H	J	K	L
.25 (6.4)	3.00 (76.2)	4.46 (113.3)	4.67 (118.6)	6.43 (163.3)
N	P	Q	R	
2.91 (73.9)	1.25 (31.8)	2.38 (60.5)	.74 ±.01 (18.8) ± .3	
S	T	U		
1.34 (34.0)	1.94 (49.3)	Ø .28 Ø (7.1)		

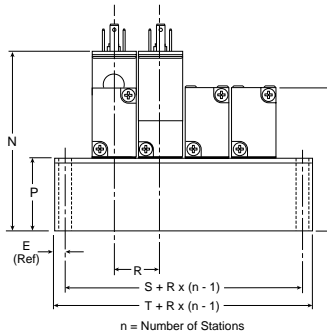
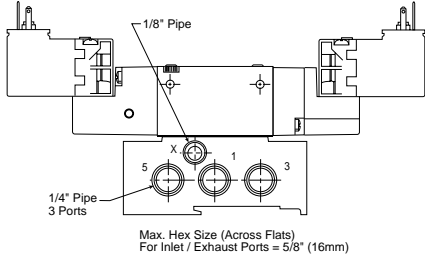
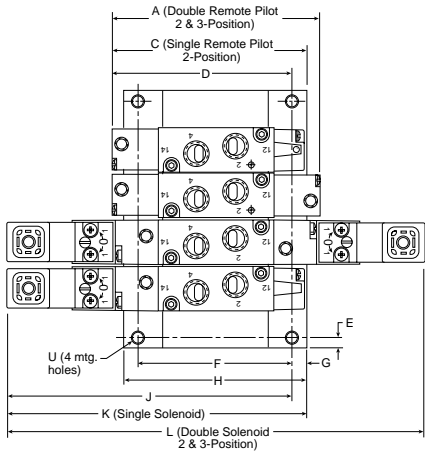
Inches (mm)

N Series

ADEX Series

Viking Xtreme Solenoid

**B3 Single & Double Operators – 4-way IEM Aluminum Bar**



**B3 4-way IEM Aluminum Bar Manifold**

A	C	D	E	F
3.33 (84.6)	3.17 (80.5)	2.94 (74.7)	.25 (6.4)	2.54 (64.5)
G	H	J	K	L
.23 (5.9)	3.00 (76.2)	4.50 (114.2)	4.73 (120.1)	6.43 (163.3)
N	P	Q	R	S
2.94 (74.7)	1.28 (32.5)	2.41 (61.2)	.81 (20.5)	1.13 (28.8)
T	U			
1.64 (41.6)	Ø .23 Ø (5.8)			

Inches (mm)

B Series

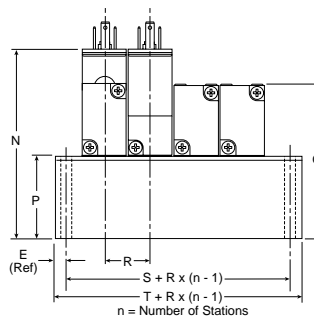
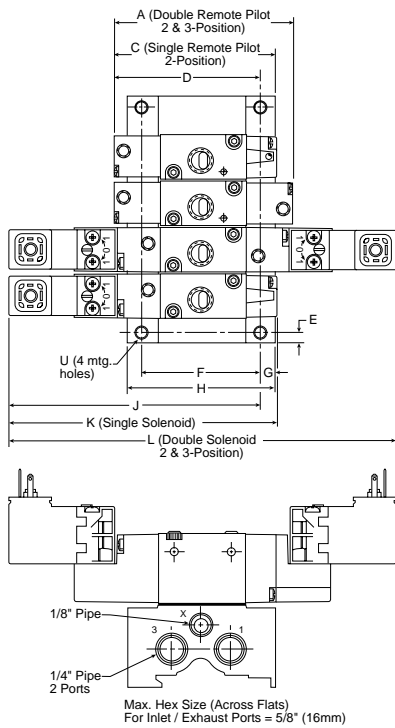
D

Inline Valve Products





**B3 Single & Double Operators – 3-way IEM Aluminum Bar**

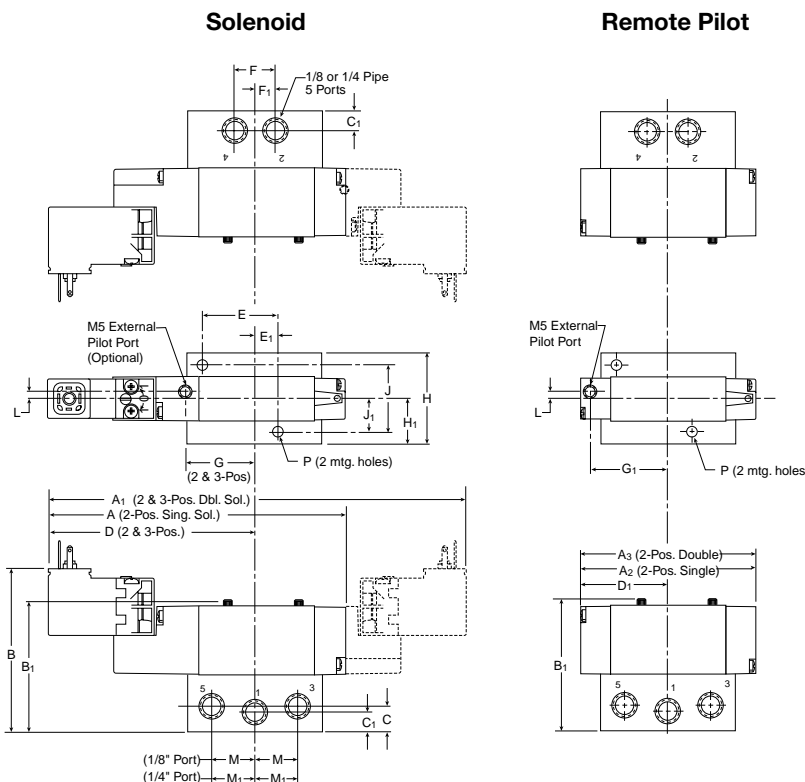


**B3 4-way IEM Aluminum Bar Manifold**

A	C	D	E	F
2.86 (72.6)	2.65 (67.3)	2.33 (59.2)	.25 (6.4)	1.80 (45.7)
G	H	J	K	L
.23 (5.9)	2.25 (57.2)	3.88 (98.6)	4.20 (106.7)	5.96 (151.4)
N	P	Q	R	S
2.93 (74.5)	1.27 (32.4)	2.40 (61.1)	.81 (20.5)	1.13 (28.8)
T	U			
1.64 (41.6)	Ø .23 Ø (5.8)			

Inches (mm)

**B3 Single & Double Operators – 4-way Single Subbase**



**B3 4-way Single Subbase**

A	A <sub>1</sub>	A <sub>2</sub>	A <sub>3</sub>	B
4.67 (119)	6.44 (164)	3.12 (79)	3.33 (85)	2.63 (67)
B <sub>1</sub>	C	C <sub>1</sub>	D	D <sub>1</sub>
2.21 (56)	.47 (12)	.37 (9)	3.22 (82)	1.66 (42)
E	E <sub>1</sub>	F	F <sub>1</sub>	G
1.25 (32)	.38 (10)	.69 (18)	.34 (9)	1.13 (29)
G <sub>1</sub>	H	H <sub>1</sub>	J	J <sub>1</sub>
1.50 (38)	1.50 (38)	.75 (19)	1.12 (28)	.56 (14)
L	M	M <sub>1</sub>	P	
.11 (3)	.71 (18)	.76 (19)	Ø .18 Ø (4)	

Inches (mm)

N Series

ADEX Series

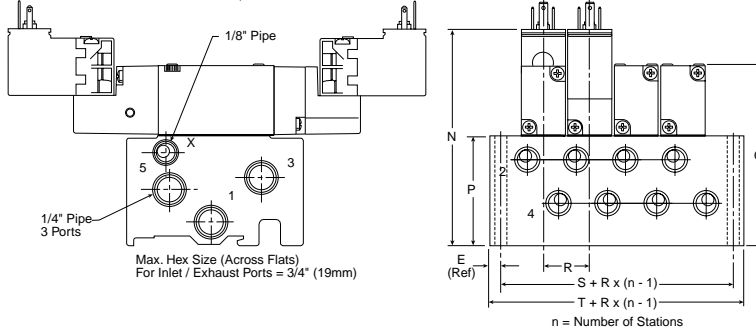
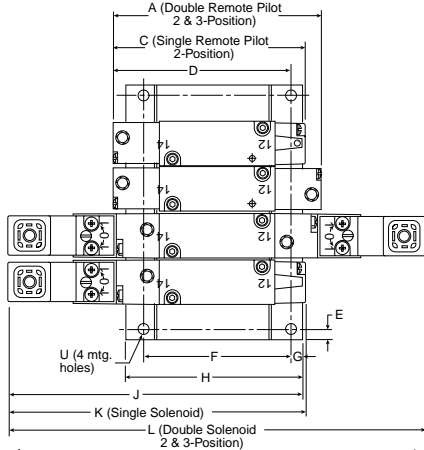
Viking Xtreme Series

B Series

D Inline Valve Products



**B3 Single & Double Operators – 5-port Subbase Bar Manifold**



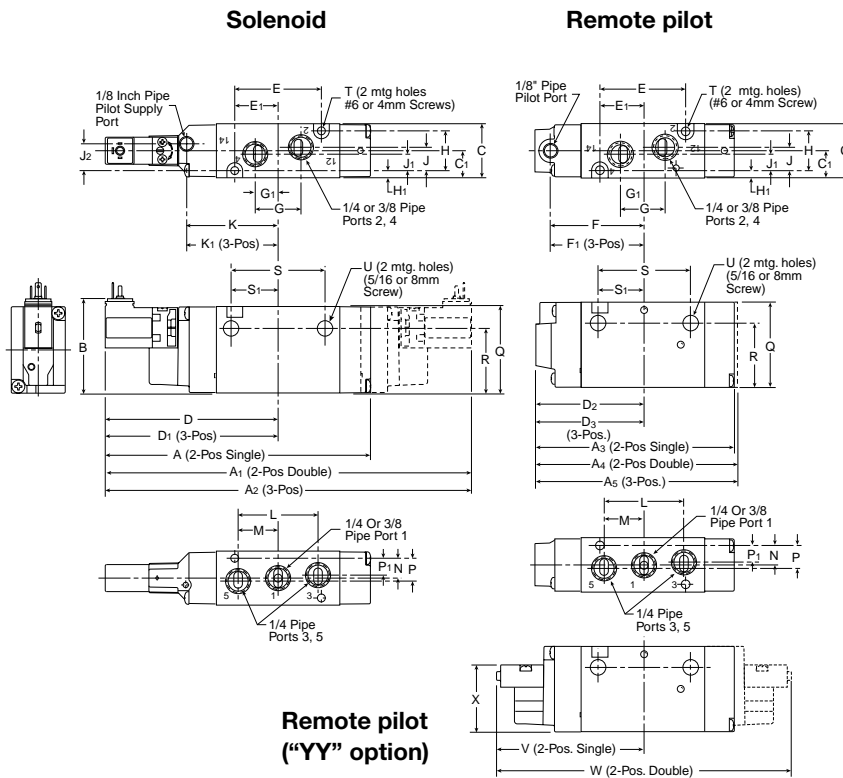
**B3 5-port Subbase Bar Manifold**

A	C	D	E	F
3.33 (84.6)	3.12 (79.2)	2.88 (73.2)	.25 (6.3)	2.43 (61.7)
G	H	J	K	L
.22 (5.5)	2.93 (74.5)	4.66 (118.3)	4.67 (118.6)	6.43 (166.3)
N	P	Q	R	S
3.47 (88.2)	1.81 (46.0)	2.94 (74.7)	.81 (20.5)	1.39 (35.4)
T	U			
1.89 (48.0)	Ø .22 Ø (5.6)			

Inches (mm)

N Series  
 ADEX Series  
 Viking Xtreme Solenoid  
 B Series  
 D Inline Valve Products

**B5 Single & Double Operators – 4-way Inline**



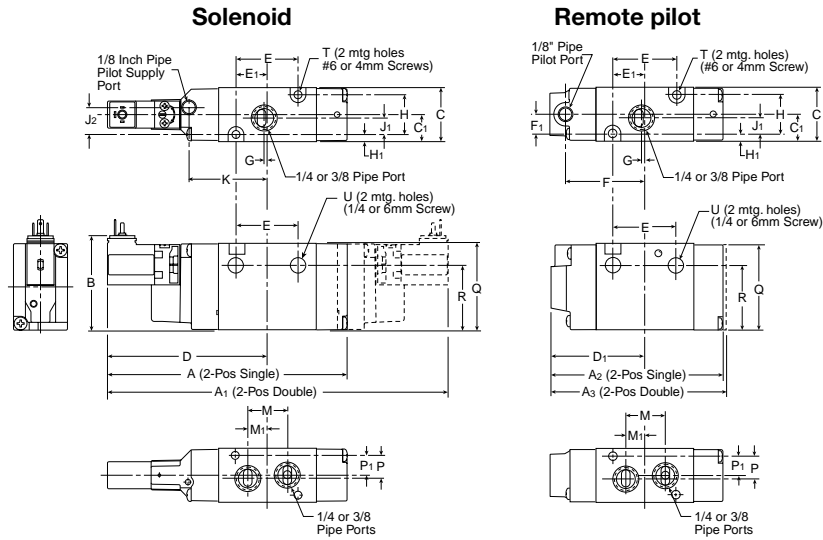
**B5 4-way Inline**

A	A1	A2	A3	A4
5.78 (147)	7.51 (191)	8.45 (215)	4.37 (110)	4.70 (119)
A5	B	C	C1	D
5.64 (143)	2.06 (52)	1.18 (30)	.59 (15)	3.76 (96)
D1	D2	D3	E	E1
4.23 (107)	2.35 (60)	2.82 (72)	1.89 (48)	.95 (24)
F	F1	G	G1	H
2.01 (51)	2.47 (63)	1.00 (25)	.50 (13)	.87 (22)
H1	J	J1	J	K
.16 (4)	.51 (13)	.36 (9)	.58 (15)	2.00 (51)
K1	L	M	N	P
2.47 (63)	1.75 (44)	.88 (22)	.43 (48)	.50 (13)
P1	Q	R	S	S1
.37 (92)	1.89 (48)	1.41 (36)	2.05 (52)	1.03 (26)
T	U	V	W	X
Ø .177 Ø (4.5)	Ø .34 Ø (9)	3.24 (82)	6.48 (165)	1.50 (383)

Inches (mm)



**B5 Single & Double Operators – 3-way Inline**

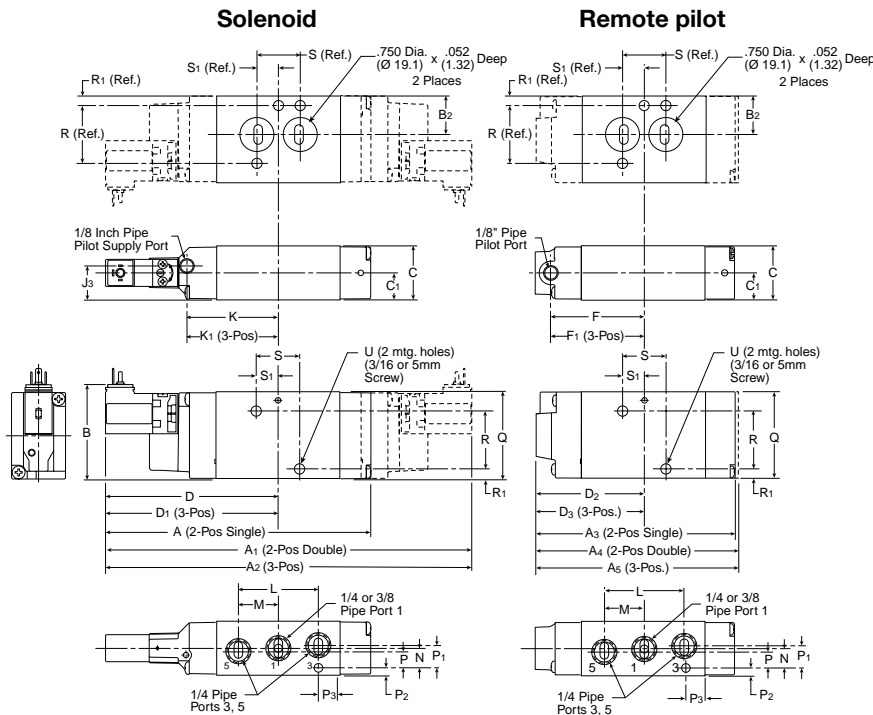


**B5 3-way Inline**

<b>A</b> 5.29 (134)	<b>A<sub>1</sub></b> 7.03 (179)	<b>A<sub>2</sub></b> 3.88 (99)	<b>A<sub>3</sub></b> 4.21 (107)	<b>B</b> 2.06 (52)
<b>C</b> 1.18 (30)	<b>C<sub>1</sub></b> .59 (15)	<b>D</b> 3.43 (87)	<b>D<sub>1</sub></b> 2.11 (54)	<b>E</b> 1.40 (36)
<b>E<sub>1</sub></b> .70 (18)	<b>F</b> 1.77 (45)	<b>F<sub>1</sub></b> .43 (11)	<b>G</b> .06 (2)	<b>H</b> .87 (22)
<b>H<sub>1</sub></b> .16 (4)	<b>J<sub>1</sub></b> .36 (9)	<b>J<sub>2</sub></b> .58 (15)	<b>K</b> 1.67 (42)	<b>M</b> .88 (22)
<b>M<sub>1</sub></b> .44 (11)	<b>P</b> .50 (13)	<b>P<sub>1</sub></b> .37 (9)	<b>Q</b> 1.89 (48)	<b>R</b> 1.41 (36)
<b>T</b> Ø .177 Ø (4.5)		<b>U</b> Ø .26 Ø (6.6)		

Inches (mm)

**B5 Single & Double Operators – 4-way NAMUR Mount**

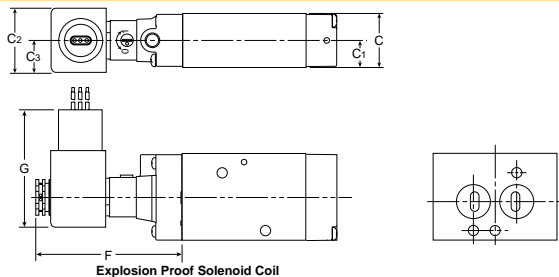


**B5 4-way NAMUR Mount**

<b>A</b> 5.78 (147)	<b>A<sub>1</sub></b> 7.51 (191)	<b>A<sub>2</sub></b> 8.45 (215)	<b>A<sub>3</sub></b> 4.37 (110)	<b>A<sub>4</sub></b> 4.70 (119)
<b>A<sub>5</sub></b> 5.64 (143)	<b>B</b> 2.06 (52)	<b>B<sub>2</sub></b> .84 (21)	<b>C</b> 1.18 (30)	<b>C<sub>1</sub></b> .59 (15)
<b>D</b> 3.76 (96)	<b>D<sub>1</sub></b> 4.23 (107)	<b>D<sub>2</sub></b> 2.35 (60)	<b>D<sub>3</sub></b> 2.82 (72)	<b>F</b> 2.01 (51)
<b>F<sub>1</sub></b> 2.47 (63)	<b>J<sub>3</sub></b> .74 (19)	<b>K</b> 2.00 (51)	<b>K<sub>1</sub></b> 2.47 (63)	<b>L</b> 1.75 (44)
<b>M</b> .88 (22)	<b>N</b> .44 (11)	<b>P</b> .37 (9.4)	<b>P<sub>1</sub></b> .50 (13)	<b>P<sub>2</sub></b> .16 (4)
<b>P<sub>3</sub></b> .40 (10)	<b>Q</b> 1.89 (48)	<b>R</b> 1.26 (32)	<b>R<sub>1</sub></b> .21 (5)	<b>S</b> .94 (24)
<b>S<sub>1</sub></b> .47 (12)		<b>U</b> Ø .224 Ø (5.7)		

Inches (mm)

**B5 Alternative Electrical Enclosure Option F**



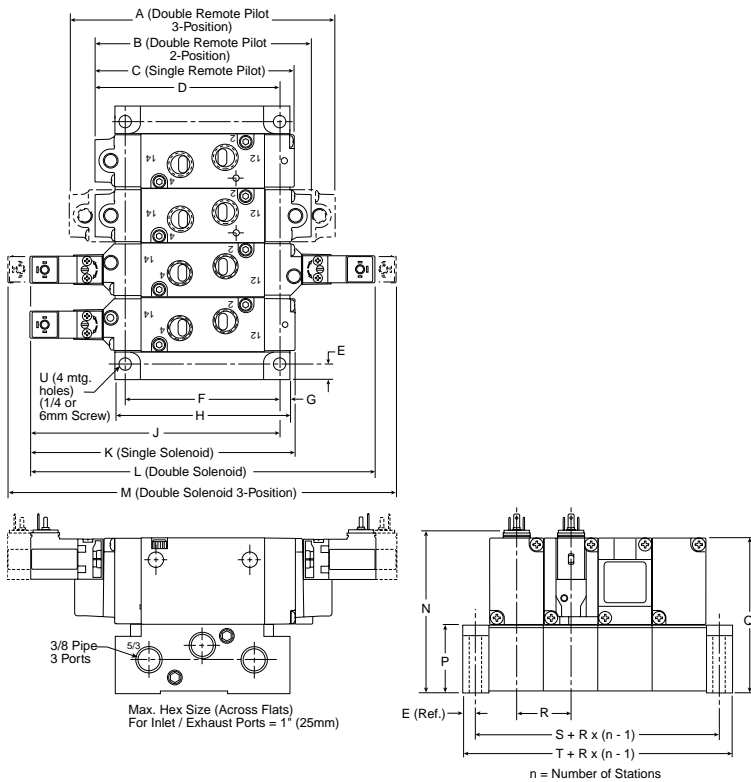
**B5 4-way NAMUR Mount with Option F Enclosure**

<b>C</b> 1.18 (30)	<b>C<sub>1</sub></b> .59 (15)	<b>C<sub>2</sub></b> 1.42 (36)	<b>C<sub>3</sub></b> .71 (18)	<b>F</b> 3.15 (80)
<b>G</b> 2.60 (66)				

Inches (mm)



**B5 Single & Double Operators – 4-way IEM Stackable**



**B5 4-way IEM Stackable**

A	B	C	D	E
5.64 (143.3)	4.70 (119.4)	4.37 (110.0)	4.29 (109.0)	.29 (7.4)
F	G	H	J	K
3.44 (87.4)	.24 (6.1)	3.92 (99.6)	5.48 (139.2)	5.78 (146.8)
L	M	N	P	Q
7.52 (191.0)	8.46 (214.9)	3.56 (90.4)	1.50 (38.1)	3.42 (86.9)
R	S	T	U	
1.21 ± .01 (30.7) ± (.3)	1.79 (45.5)	2.37 (60.2)	Ø .28 (7.1)	

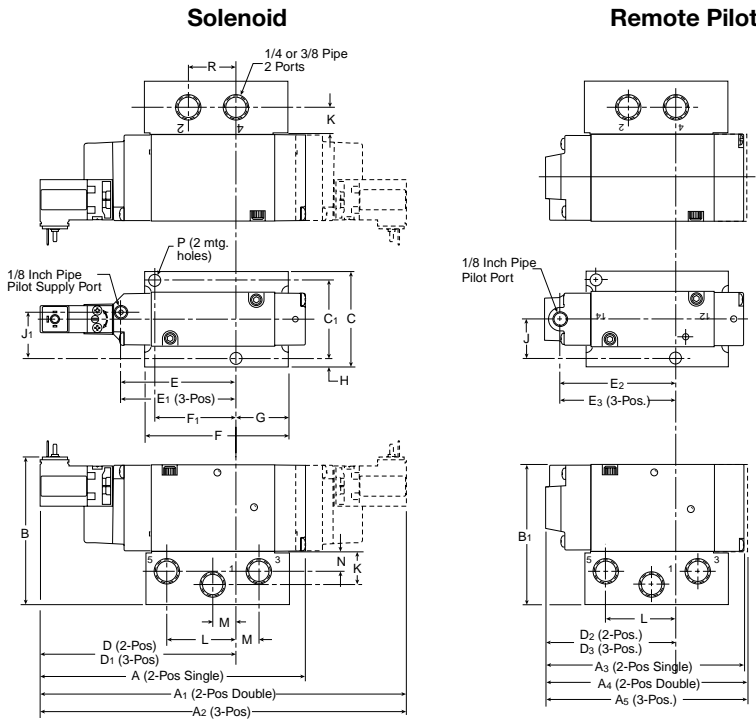
Inches (mm)

N Series

ADEX Series

Viking Xtreme Solenoid

**B5 Single & Double Operators – 4-way Single Subbase**



**B5 4-way Subbase**

A	A <sub>1</sub>	A <sub>2</sub>	A <sub>3</sub>	A <sub>4</sub>
5.78 (147)	7.52 (191)	8.46 (215)	4.37 (110)	4.70 (119)
A <sub>5</sub>	B	B <sub>1</sub>	C	C <sub>1</sub>
5.64 (143)	3.21 (82)	3.03 (77)	2.12 (54)	1.69 (43)
D	D <sub>1</sub>	D <sub>2</sub>	D <sub>3</sub>	E
4.26 (108)	4.73 (120)	2.85 (72)	3.32 (40)	2.51 (65)
E <sub>1</sub>	E <sub>2</sub>	E <sub>3</sub>	F	F <sub>1</sub>
2.98 (76)	2.60 (66)	3.07 (80)	2.90 (74)	1.69 (43)
G	H	J	J <sub>1</sub>	K
.95 (24)	.22 (5)	.84 (21)	.99 (25)	.71 (18)
L	M	N	P	R
1.50 (38)	.50 (13)	.46 (12)	Ø .27 (7)	1.00 (25)

Inches (mm)

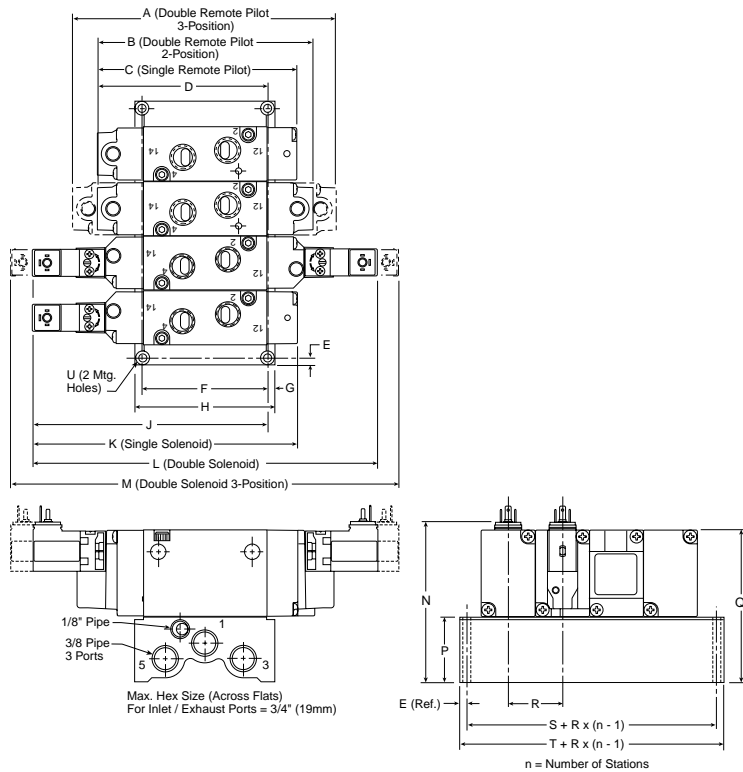
B Series

D

Inline Valve Products



**B5 Single & Double Operators – 4-way IEM Aluminum Bar**

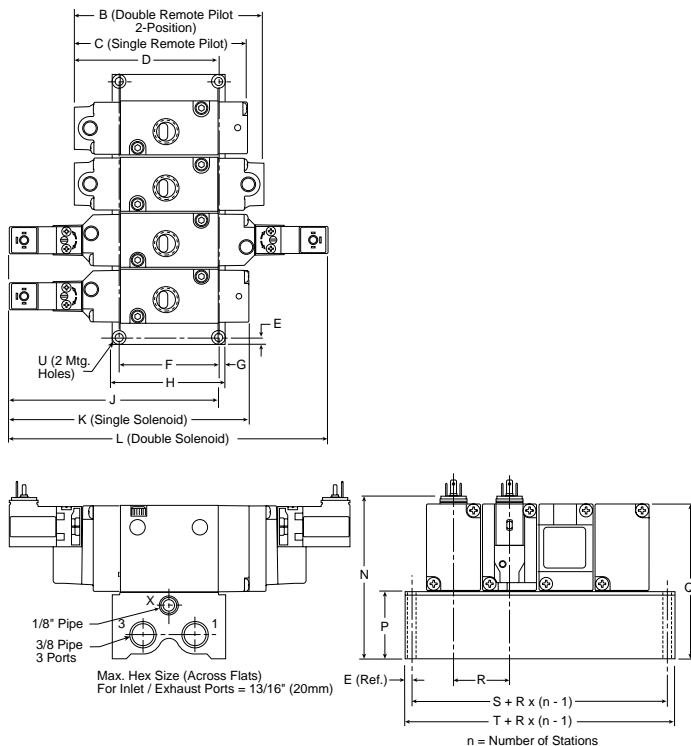


**B5 4-way IEM Aluminum Bar Manifold**

A	B	C	D	E
5.64 (143.3)	4.70 (119.4)	4.37 (110.0)	3.74 (95.0)	.18 (4.6)
F	G	H	J	K
2.78 (70.6)	.17 (4.3)	3.12 (79.2)	5.15 (130.8)	5.78 (146.8)
L	M	N	P	Q
7.52 (191.0)	8.46 (214.9)	3.50 (89.0)	1.44 (36.6)	3.36 (85.3)
R	S	T	U	
1.26 (32.0)	1.78 (45.2)	2.14 (54.4)	Ø .22 Ø (5.5)	

Inches (mm)

**B5 Single & Double Operators – 3-way IEM Aluminum Bar**



**B5 3-way IEM Aluminum Bar Manifold**

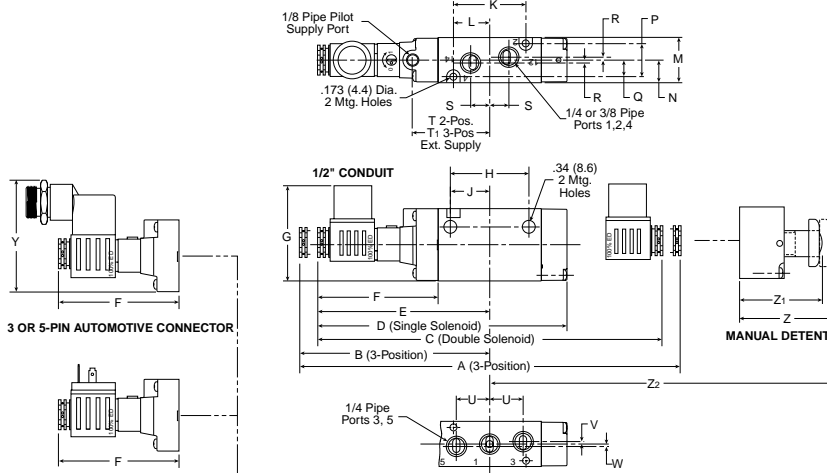
B	C	D	E	F
4.21 (106.9)	3.88 (98.6)	3.41 (86.6)	.18 (4.6)	2.12 (53.8)
G	H	J	K	L
.17 (4.3)	2.46 (62.5)	4.82 (122.4)	5.29 (134.4)	7.03 (178.6)
N	P	Q	R	S
3.50 (89.0)	1.44 (36.6)	3.36 (85.3)	1.26 (32.0)	1.76 (44.7)
T	U			
2.12 (53.8)	Ø .18 Ø (4.6)			

Inches (mm)

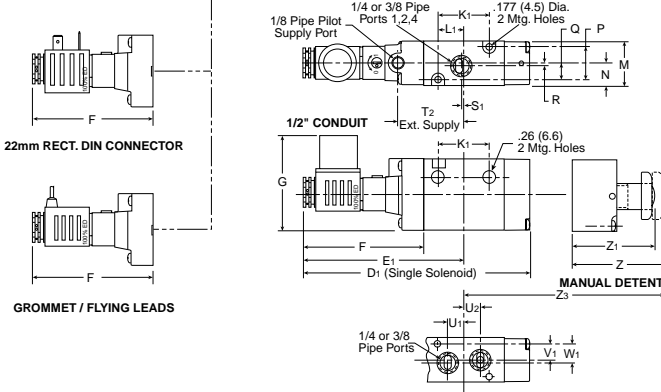


**B5 3 & 4-way Alternative Electrical Enclosures**

**4-way**



**3-way**



**B5 Alternative – Electrical Enclosures**

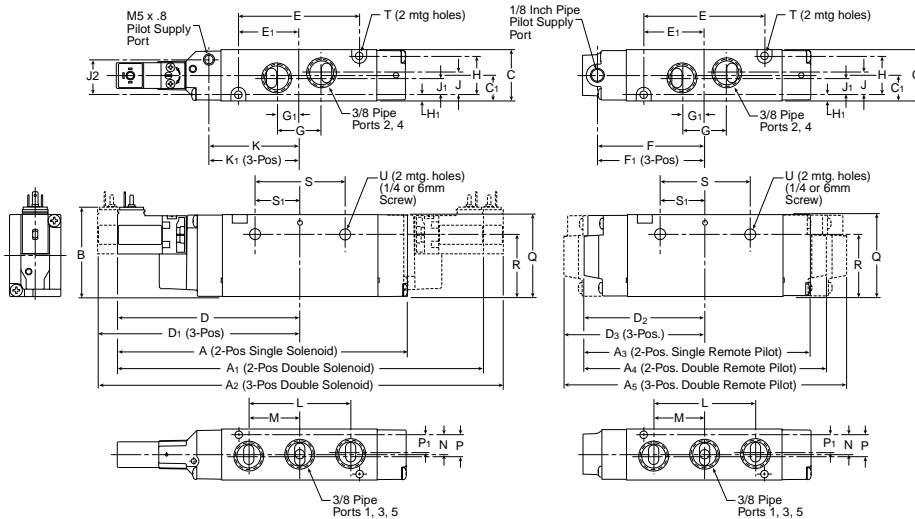
<b>A</b>	<b>A1</b>	<b>B</b>	<b>C</b>	<b>D</b>
9.94 (252.5)	.872 (221.4)	4.97 (126.2)	9.00 (228.6)	6.52 (165.6)
<b>D1</b>	<b>E</b>	<b>E1</b>	<b>F</b>	<b>G</b>
6.02 (152.9)	4.50 (114.3)	4.26 (108.1)	3.15 (80.0)	2.47 (62.8)
<b>H</b>	<b>J</b>	<b>K</b>	<b>K1</b>	<b>L</b>
2.05 (52.1)	1.03 (26.2)	1.89 (48.0)	1.40 (35.5)	.95 (24.1)
<b>L1</b>	<b>M</b>	<b>N</b>	<b>P</b>	<b>Q</b>
.70 (17.8)	1.18 (30.0)	.59 (15.0)	.87 (22.1)	.43 (10.9)
<b>R</b>	<b>S</b>	<b>S1</b>	<b>T</b>	<b>T1</b>
.08 (2.0)	.50 (12.7)	.06 (1.5)	2.01 (51.1)	2.47 (62.7)
<b>T2</b>	<b>U</b>	<b>U1</b>	<b>U2</b>	<b>V</b>
1.76 (44.8)	.87 (22.1)	.43 (10.9)	.45 (11.3)	.06 (1.5)
<b>V1</b>	<b>W</b>	<b>W1</b>	<b>Y</b>	<b>Z</b>
.37 (9.3)	.07 (1.8)	.50 (13)	2.90 (73.6)	2.40 (60.9)
<b>Z1</b>	<b>Z2</b>	<b>Z3</b>		
2.12 (53.8)	3.75 (95.2)	4.17 (105.8)		

Inches (mm)

**B6 Single & Double Operators – 4-way Inline**

**Solenoid**

**Remote pilot**



**B6 4-way Inline**

<b>A</b>	<b>A1</b>	<b>A2</b>	<b>A3</b>	<b>A4</b>
6.67 (169.5)	8.41 (213.7)	9.35 (237.6)	5.26 (133.7)	5.59 (142.1)
<b>A5</b>	<b>B</b>	<b>C</b>	<b>C1</b>	<b>D</b>
6.54 (166)	2.06 (52)	1.18 (30.0)	.59 (15)	4.21 (106.8)
<b>D1</b>	<b>D2</b>	<b>D3</b>	<b>E</b>	<b>E1</b>
4.68 (118.8)	2.80 (71)	3.27 (83.0)	2.79 (70.8)	1.39 (35.4)
<b>F</b>	<b>F1</b>	<b>G</b>	<b>G1</b>	<b>H</b>
2.45 (62.3)	2.92 (74.3)	1.03 (26.1)	.51 (13.1)	.91 (23)
<b>H1</b>	<b>J</b>	<b>J1</b>	<b>J2</b>	<b>K</b>
.14 (3.5)	.51 (13.1)	.39 (10)	.81 (20.6)	2.09 (53)
<b>K1</b>	<b>L</b>	<b>M</b>	<b>N</b>	<b>P</b>
2.56 (64.9)	2.34 (59.4)	1.17 (29.7)	.45 (11.5)	.49 (12.5)
<b>P1</b>	<b>Q</b>	<b>R</b>	<b>S</b>	<b>S1</b>
.41 (10.5)	1.89 (48)	1.45 (36.8)	2.09 (53)	1.04 (26.5)
<b>T</b>	<b>U</b>			
Ø .17 (4.4)	Ø .27 (6.9)			

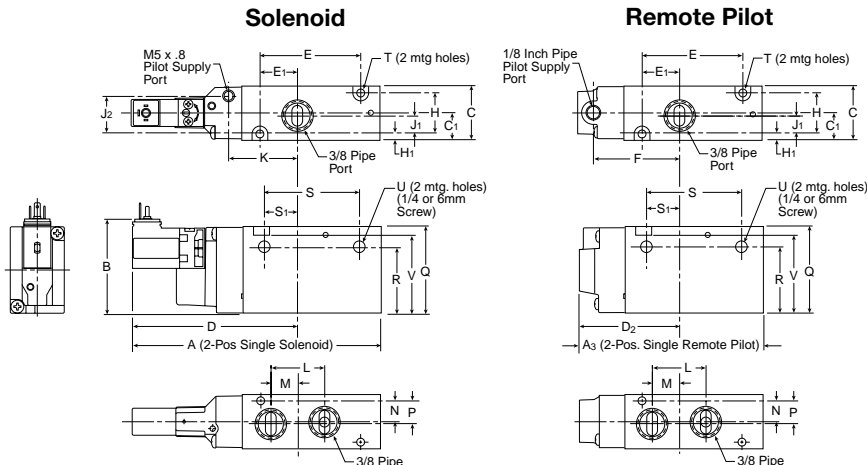
Inches (mm)



D30



**B6 Single Operators – 3-way Inline**

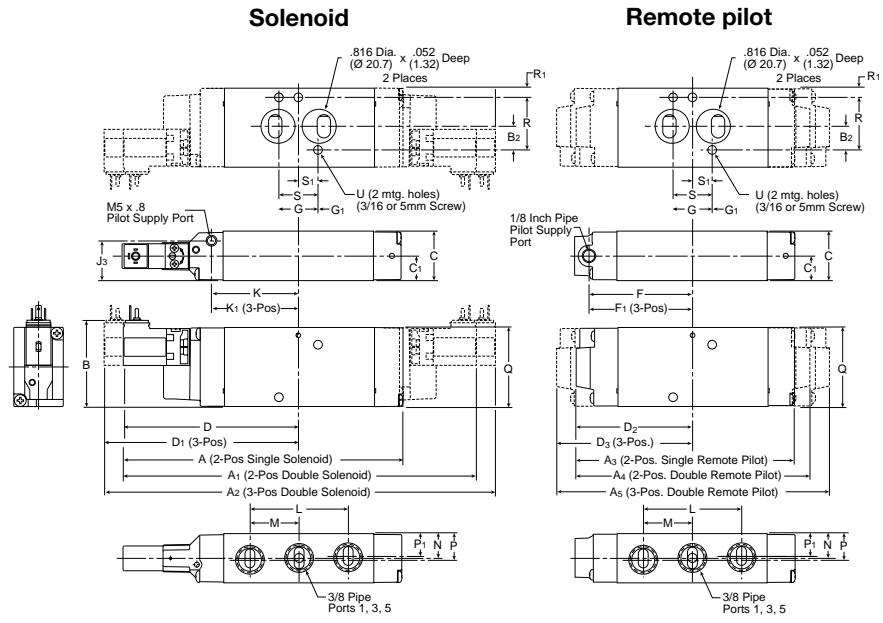


**B6 3-way Inline**

<b>A</b> 5.42 (137.7)	<b>A3</b> 4.01 (101.9)	<b>B</b> 2.06 (52)	<b>C</b> 1.18 (30.0)	<b>C1</b> .59 (15.0)
<b>D</b> 3.63 (92.1)	<b>D2</b> 2.22 (56.3)	<b>E</b> 2.19 (55.6)	<b>E1</b> 0.82 (20.7)	<b>F</b> 1.87 (47.6)
<b>H</b> .91 (23.0)	<b>H1</b> .14 (3.5)	<b>J1</b> .39 (10.0)	<b>J2</b> .81 (20.6)	<b>K</b> 1.51 (38.3)
<b>L</b> 1.17 (29.7)	<b>M</b> .59 (15.0)	<b>N</b> .45 (11.5)	<b>P</b> .49 (12.5)	<b>Q</b> 1.89 (48.0)
<b>R</b> 1.45 (36.8)	<b>S</b> 2.09 (53.0)	<b>S1</b> 0.76 (19.4)	<b>T</b> Ø .17 Ø (4.4)	<b>U</b> Ø .27 Ø (6.9)
<b>V</b> 1.69 (43.0)				

Inches (mm)

**B6 Single & Double Operators – 4-way NAMUR Mount**

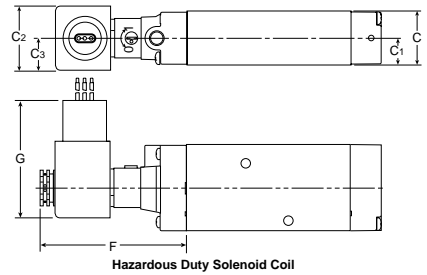


**B6 4-way NAMUR Mount**

<b>A</b> 6.67 (169.5)	<b>A1</b> 8.41 (213.7)	<b>A2</b> 9.35 (237.6)	<b>A3</b> 5.26 (133.7)	<b>A4</b> 5.59 (142.1)
<b>A5</b> 6.54 (166.0)	<b>B</b> 2.06 (52)	<b>B2</b> .57 (14.4)	<b>C</b> 1.18 (30.0)	<b>C1</b> .59 (15)
<b>D</b> 4.21 (106.8)	<b>D1</b> 4.68 (118.8)	<b>D2</b> 2.80 (71.0)	<b>D3</b> 3.27 (83.0)	<b>F</b> 2.45 (62.3)
<b>F1</b> 2.92 (74.3)	<b>G</b> .95 (24.2)	<b>G1</b> .02 (0.53)	<b>J3</b> .95 (24.1)	<b>K</b> 2.09 (53.0)
<b>K1</b> 2.56 (64.9)	<b>L</b> 2.34 (59.4)	<b>M</b> 1.17 (29.7)	<b>N</b> .59 (15)	<b>P</b> .63 (16)
<b>P1</b> .55 (14)	<b>Q</b> 1.89 (48.0)	<b>R</b> 1.26 (32)	<b>R1</b> .22 (5.5)	<b>S</b> .94 (24)
<b>S1</b> .47 (12)	<b>T</b> Ø .17 Ø (4.4)	<b>U</b> Ø .27 Ø (6.9)		

Inches (mm)

**B6 Alternative Electrical Enclosure Option F**



**B6 4-way NAMUR Mount with Option F Enclosure**

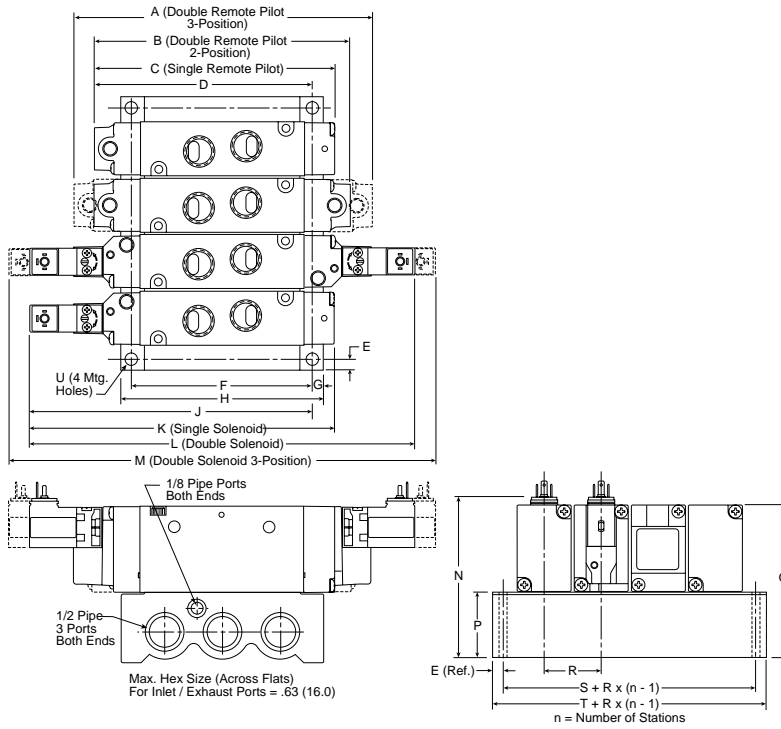
<b>C</b> 1.18 (30)	<b>C1</b> .59 (15)	<b>C2</b> 1.42 (36)	<b>C3</b> .71 (18)	<b>F</b> 3.15 (80)
<b>G</b> 2.60 (66)				

Inches (mm)



**N Series**  
**ADEX Series**  
**Viking Xtreme Series**  
**B Series**  
**D In-line Valve Products**

**B6 Single & Double Operators – 4-way IEM Aluminum Bar**

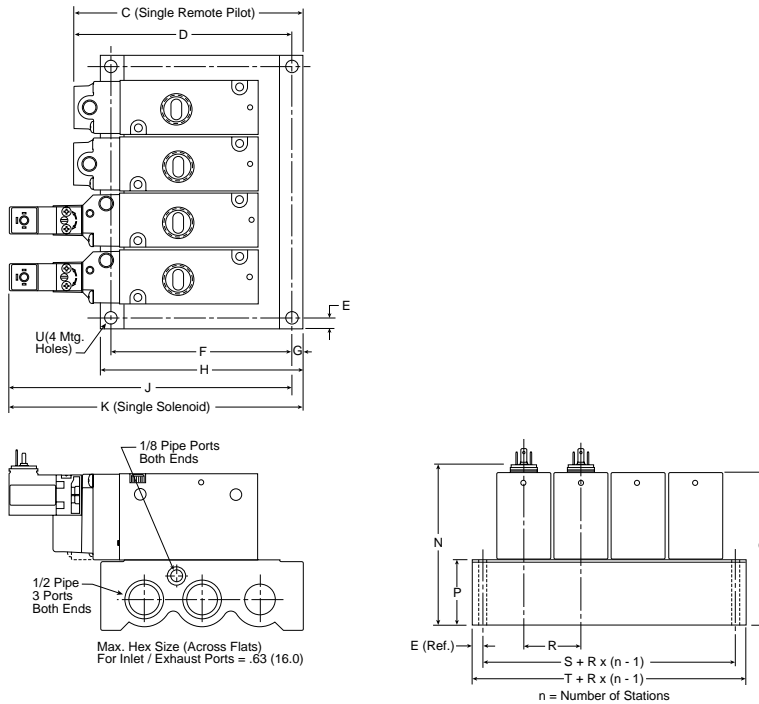


**B6 4-way IEM Aluminum Bar Manifold**

A	B	C	D	E
6.54 (166.0)	5.59 (142.1)	5.26 (133.7)	4.76 (121.0)	.24 (6.0)
F	G	H	J	K
3.94 (100.0)	.24 (6.0)	4.41 (112.0)	6.17 (156.8)	6.67 (169.5)
L	M	N	P	Q
8.41 (213.7)	9.35 (237.6)	3.60 (91.3)	1.54 (39.0)	3.43 (87.0)
R	S	T	U	
1.24 (31.5)	1.77 (45.0)	2.24 (57.0)	∅ .26 ∅ (6.5)	

Inches (mm)

**B6 Single Operators – 3-way IEM Aluminum Bar**



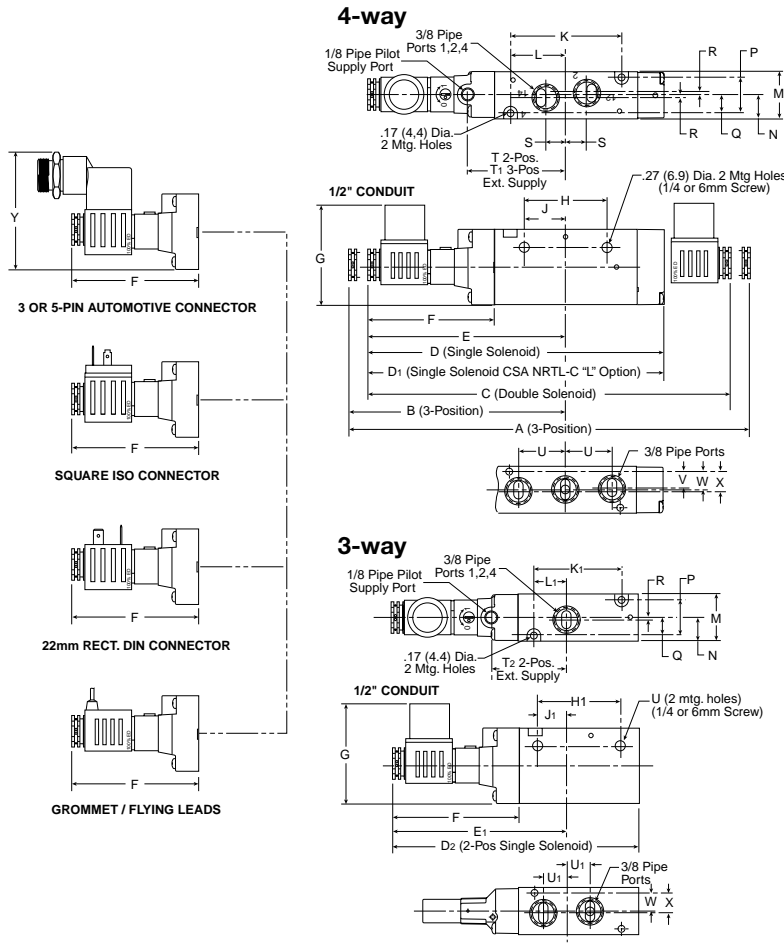
**B6 3-way IEM Aluminum Bar Manifold**

C	D	E	F	G
5.00 (127.0)	4.76 (121.0)	.24 (6.0)	3.94 (100.0)	.24 (6.0)
H	J	K	N	P
4.41 (112.0)	6.17 (156.8)	6.41 (162.8)	3.60 (91.3)	1.54 (39.0)
Q	R	S	T	U
3.43 (87.0)	1.24 (31.5)	1.77 (45.0)	2.24 (57.0)	∅ .26 ∅ (6.5)

Inches (mm)

N Series  
 ADEX Series  
 Viking Xtreme Solenoid  
 B Series  
 D Inline Valve Products

**B6 3 & 4-way Alternative Electrical Enclosures**

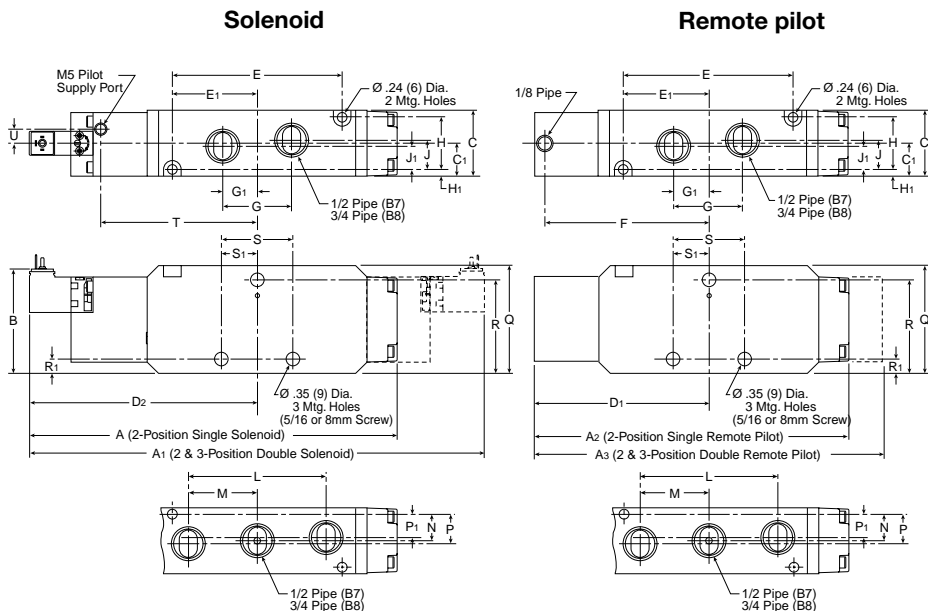


**B6 Alternative – Electrical Enclosures**

<b>A</b>	<b>B</b>	<b>C</b>	<b>D</b>	<b>D1</b>
10.84 (275.3)	5.41 (137.5)	9.89 (251.3)	7.41 (188.2)	7.74 (196.6)
<b>D2</b>	<b>E</b>	<b>E2</b>	<b>F</b>	<b>G</b>
6.17 (156.6)	4.94 (125.6)	4.37 (111.0)	3.15 (80.0)	2.47 (62.8)
<b>H</b>	<b>H1</b>	<b>J</b>	<b>J1</b>	<b>K</b>
2.09 (53.0)	2.09 (53.0)	1.04 (26.5)	0.76 (19.4)	2.79 (70.8)
<b>K1</b>	<b>L</b>	<b>L1</b>	<b>M</b>	<b>N</b>
2.19 (55.6)	1.39 (35.4)	.82 (20.7)	1.18 (30.0)	.59 (15.0)
<b>P</b>	<b>Q</b>	<b>R</b>	<b>S</b>	<b>T</b>
.91 (23.0)	.45 (11.5)	.06 (1.6)	.51 (13.1)	2.45 (62.3)
<b>T1</b>	<b>T2</b>	<b>U</b>	<b>U1</b>	<b>V</b>
2.93 (29.7)	1.89 (48.0)	.59 (15.0)	.59 (15.0)	.41 (10.5)
<b>W</b>	<b>X</b>	<b>Y</b>		
.45 (11.5)	.49 (12.5)	2.90 (73.6)		

Inches (mm)

**B7& B8 Single & Double Operators – 4-way Inline**



**B7 & B8 4-way Inline**

<b>A</b>	<b>A1</b>	<b>A2</b>	<b>A3</b>	<b>B</b>
9.13 (232)	11.29 (287)	7.79 (198)	8.62 (219)	2.59 (66)
<b>C</b>	<b>C1</b>	<b>D1</b>	<b>D2</b>	<b>E</b>
1.65 (42)	.83 (21)	4.29 (109)	5.63 (143)	4.21 (107)
<b>E1</b>	<b>F</b>	<b>G</b>	<b>G1</b>	<b>H</b>
2.13 (54)	4.06 (103)	1.73 (44)	.87 (22)	1.29 (33)
<b>H1</b>	<b>J</b>	<b>J1</b>	<b>L</b>	<b>M</b>
.16 (4)	.75 (19)	.59 (15)	3.39 (86)	1.69 (43)
<b>N</b>	<b>P</b>	<b>P1</b>	<b>Q</b>	<b>R</b>
.67 (17)	.75 (19)	.59 (15)	2.68 (68)	2.32 (59)
<b>R1</b>	<b>S</b>	<b>S1</b>	<b>T</b>	<b>U</b>
.35 (9)	1.81 (46)	.90 (23)	3.94 (100)	.35 (9)

Inches (mm)

N Series

ADEX Series

Viking Xtreme Series

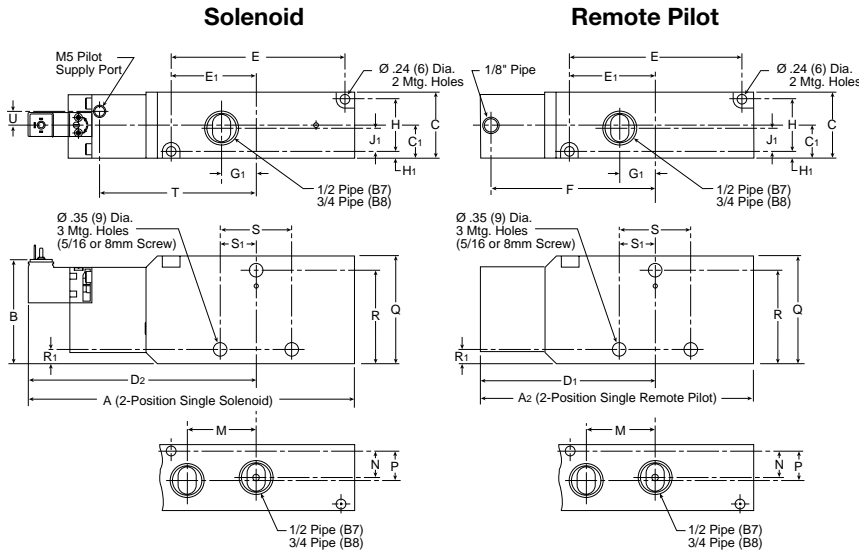
B Series

D

Inline Valve Products



**B7 & B8 Single Operators – 3-way Inline**

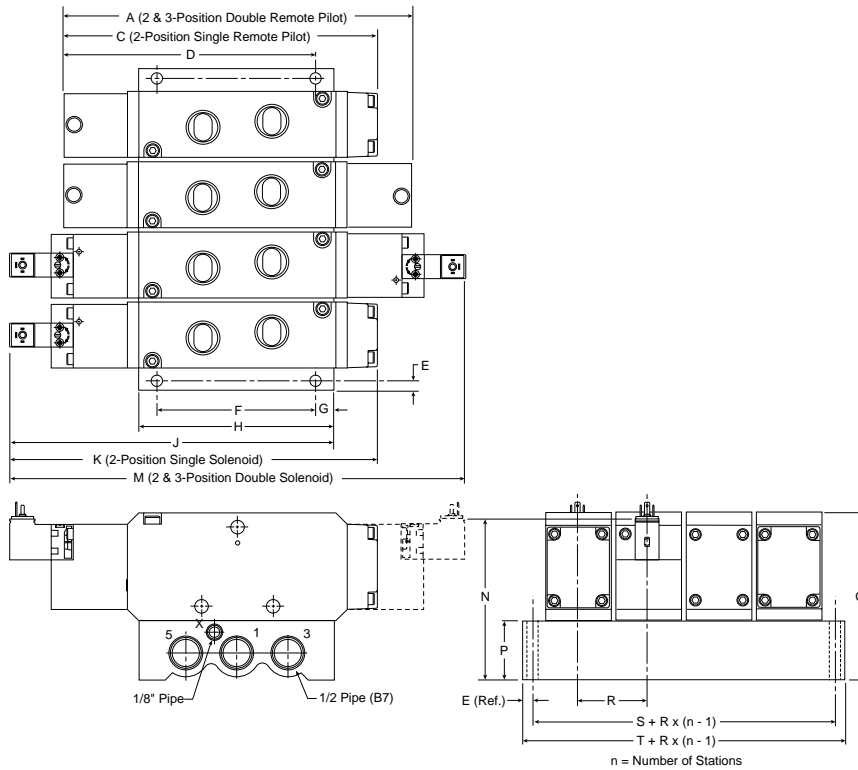


**B7 & B8 3-way Inline**

<b>A</b>	<b>A<sub>2</sub></b>	<b>B</b>	<b>C</b>	<b>C<sub>1</sub></b>
7.99 (203)	6.65 (169)	2.59 (66)	1.65 (42)	.83 (21)
<b>D<sub>1</sub></b>	<b>D<sub>2</sub></b>	<b>E</b>	<b>E<sub>1</sub></b>	<b>F</b>
4.29 (109)	5.63 (143)	4.21 (107)	2.13 (54)	4.06 (103)
<b>G<sub>1</sub></b>	<b>H</b>	<b>H<sub>1</sub></b>	<b>J<sub>1</sub></b>	<b>M</b>
.86 (22)	1.29 (33)	.16 (4)	.59 (15)	1.69 (43)
<b>N</b>	<b>P</b>	<b>Q</b>	<b>R</b>	<b>R<sub>1</sub></b>
.67 (17)	.75 (19)	2.68 (68)	2.32 (59)	.35 (9)
<b>S</b>	<b>S<sub>1</sub></b>	<b>T</b>	<b>U</b>	
1.81 (46)	.90 (23)	3.94 (100)	.35 (9)	

Inches (mm)

**B7 & B8 Single & Double Operators – 4-way IEM Aluminum Bar**



**B7 & B8 4-way IEM  
 Aluminum Bar Manifold**

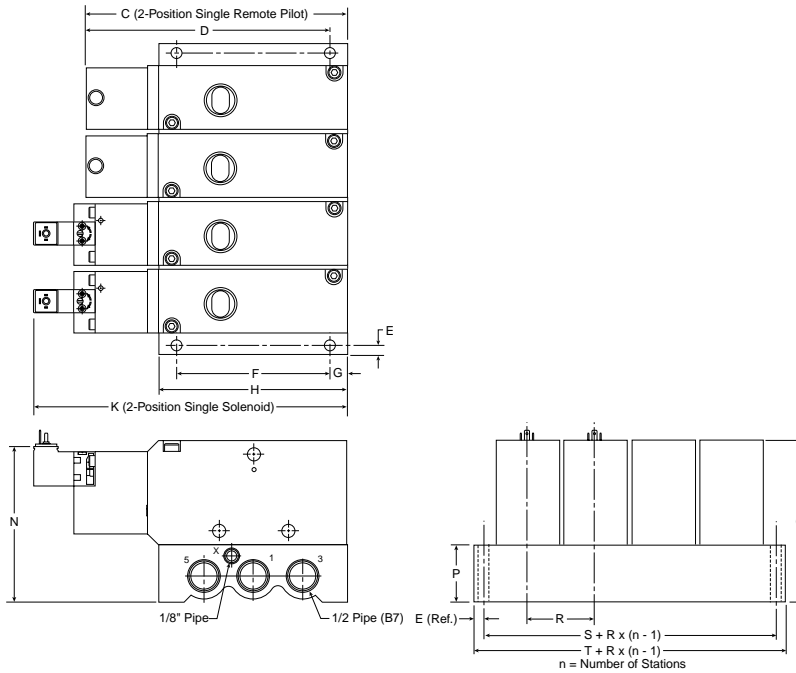
<b>A</b>	<b>C</b>	<b>D</b>	<b>E</b>	<b>F</b>
7.79 (198)	8.62 (219)	6.26 (159)	.24 (6)	3.94 (100)
<b>G</b>	<b>H</b>	<b>J</b>	<b>K</b>	<b>M</b>
.45 (11.5)	4.84 (123)	8.07 (205)	9.13 (232)	11.29 (287)
<b>N</b>	<b>P</b>	<b>Q</b>	<b>R</b>	<b>S</b>
4.00 (101.5)	1.48 (37.5)	4.15 (105.5)	1.77 (45)	2.24 (57)
<b>T</b>				
2.72 (69)				

Inches (mm)

N Series  
 ADEX Series  
 Viking Xtreme Solenoid  
 B Series  
 D Inline Valve Products



**B7 & B8 Single Operators – 3-way IEM Aluminum Bar**

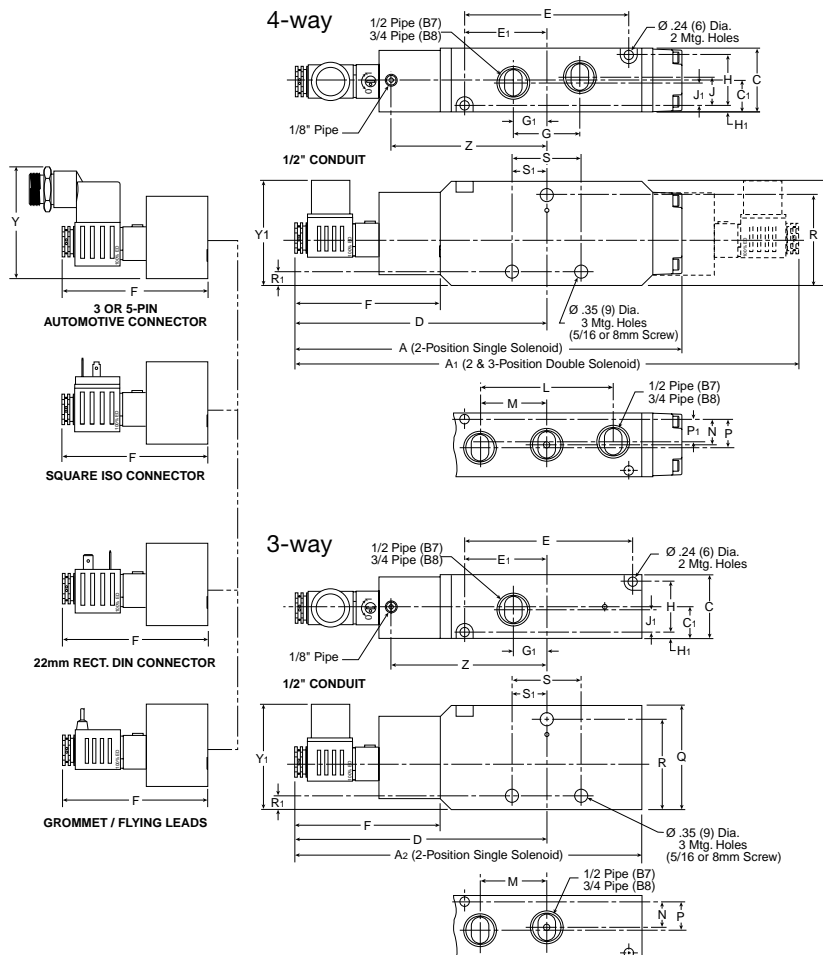


**B7 & B8 3-way IEM  
 Aluminum Bar Manifold**

C	D	E	F	G
6.65 (169)	4.92 (124.9)	.24 (6)	3.94 (100)	.45 (11.5)
H	K	N	P	Q
4.84 (123)	7.99 (203)	4.00 (101.5)	1.48 (37.5)	4.15 (105.5)
R	S	T		
1.77 (45)	2.24 (57)	2.72 (69)		

Inches (mm)

**B7 & B8 3 & 4-way Alternative Electrical Enclosures**



**B7 & B8 3 & 4-way Alternative  
 Electrical Enclosures**

A	A <sub>1</sub>	A <sub>2</sub>	C	C <sub>1</sub>
9.92 (252)	12.91 (328)	8.78 (223)	1.65 (42)	.83 (21)
D	E	E <sub>1</sub>	F	G
6.46 (164)	4.21 (107)	2.13 (54)	3.74 (95)	1.73 (44)
G <sub>1</sub>	H	H <sub>1</sub>	J	J <sub>1</sub>
.86 (22)	1.29 (33)	.16 (4)	.75 (19)	.59 (15)
L	M	N	P	P <sub>1</sub>
3.39 (86)	1.69 (43)	.67 (17)	.75 (19)	.59 (15)
Q	R	R <sub>1</sub>	S	S <sub>1</sub>
2.68 (68)	2.32 (59)	.35 (9)	1.81 (46)	.90 (23)
Y	Y <sub>1</sub>	Z		
2.87 (73)	2.71 (69)	3.98 (101)		

Inches (mm)

