

ADEX Series is a miniature low power consumption solenoid valves, ideal for powering small to mid-sized pneumatic actuators used in automation and process applications. ADEX's versatility is further enhanced through its three mounting styles and electronic connectivity options.

Features

- Compact body size
- Fast response < 10ms

Ports

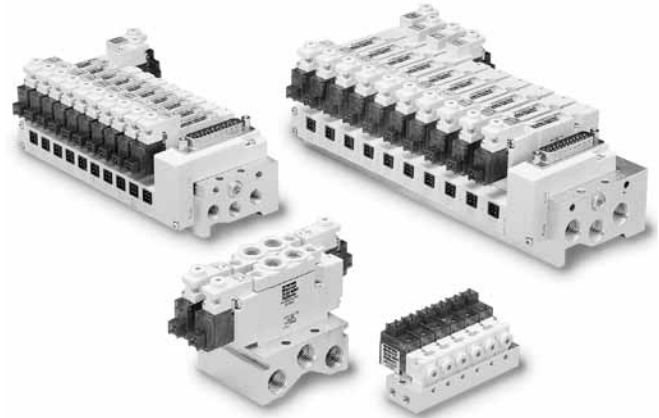
- A00S: M3 – .02 Cv
- A05: M5 – .18 Cv
- A12: 1/8 inch – .47 Cv

Mounting

- Inline
- Subbase mount

Solenoids

- 0.6 W
- 5VDC, 12VDC, 24VDC and 110/220VAC
- LED and surge suppression



Operating information

Maximum operating pressure*:

A05 & A12	Vacuum to 100 PSIG (Vacuum to 6.8 bar)
A00S (NC)	Vacuum to 100 PSIG (Vacuum to 6.8 bar)
A00S (NO)	Vacuum to 70 PSIG (Vacuum to 4.8 bar)

Minimum operating pressure: See chart below

Operating temperature:

Intermittent Duty (AC & DC Voltage):	32°F to 122°F (0°C to 50°C)
	Voltage Rated +10 / -10%
Continuous Duty (DC Voltage Only):	32°F to 104°F (0°C to 40°C)
	Voltage Rated +0 / -10%

* When using vacuum and pressure simultaneously on ports 1 & 3, normally closed valve, the maximum pressure is 85 PSIG (586 kPa).

When using vacuum and pressure simultaneously on ports 1 & 3, normally open valve, the maximum pressure is 58 PSIG (400 kPa).

Material specifications

Body	Anodized aluminum
End caps	Anodized aluminum
Coils	Thermoplastic
Fasteners	Stainless steel
Spool	Aluminum and nitrile rubber

Minimum operating pressure

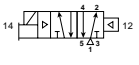
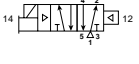
Description	Internal pilot		External pilot		
	PSIG	kPa	PSIG	kPa	
4-way	Single Solenoid	22	152	Vacuum	
				36	248
				Vacuum	
4-way	Double Solenoid – 2-position	15	104	36	248
				Vacuum	
4-way	Double Solenoid – 3-position	30	207	36	248
				Vacuum	
3-way	A00 Series	Vacuum			

Most popular. For technical information see CD

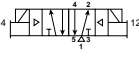
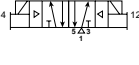


N Series
 ADEX Series
 Viking Xtreme Solenoid
 B Series
 D Inline Valve Products

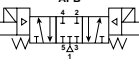
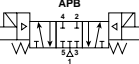
Single Solenoid, 4-way, 2-position

Symbol	Port size	Cv	Voltage	Valve type	Part number
	M5	.17 Cv	24VDC	A05 inline	A05RS251PM5MF
	M5	.17 Cv	12VDC	A05 inline	A05RS252PM5MF
	1/8"	.47 Cv	24VDC	A12 inline	A12RS251PN1MF
	1/8"	.47 Cv	12VDC	A12 inline	A12RS252PN1MF
	Less base	.18 Cv	24VDC	A06 subbase	A05PS251P
	Less base	.18 Cv	12VDC	A06 subbase	A05PS252P
	Less base	.44 Cv	24VDC	A12 subbase	A12PS251P
	Less base	.44 Cv	12VDC	A12 subbase	A12PS252P

Double Solenoid, 4-way, 2-position

Symbol	Port size	Cv	Voltage	Valve type	Part number
	M5	.17 Cv	24VDC	A05 inline	A05RD251PM5MF
	M5	.17 Cv	12VDC	A05 inline	A05RD252PM5MF
	1/8"	.47 Cv	24VDC	A12 inline	A12RD251PN1MF
	1/8"	.47 Cv	12VDC	A12 inline	A12RD252PN1MF
	Less base	.18 Cv	24VDC	A06 subbase	A05PD251P
	Less base	.18 Cv	12VDC	A06 subbase	A05PD252P
	Less base	.44 Cv	24VDC	A12 subbase	A12PD251P
	Less base	.44 Cv	12VDC	A12 subbase	A12PD252P

Double Solenoid, 4-way, 3-position, APB

Symbol	Port size	Cv	Voltage	Valve type	Part number
	M5	.16 Cv	24VDC	A05 inline	A05RD351PM5MF
	M5	.16 Cv	12VDC	A05 inline	A05RD352PM5MF
	1/8"	.43 Cv	24VDC	A12 inline	A12RD351PN1MF
	1/8"	.43 Cv	12VDC	A12 inline	A12RD352PN1MF
	Less base	.16 Cv	24VDC	A06 subbase	A05PD351P
	Less base	.16 Cv	12VDC	A06 subbase	A05PD352P
	Less base	.40 Cv	24VDC	A12 subbase	A12PD351P
	Less base	.40 Cv	12VDC	A12 subbase	A12PD352P

Locking flush override. Mounting screws and gaskets included with valve.

A00 Valve Only – Single Solenoid, 3-way, 2-position*



A00SC231P Shown

* Screwdriver-Operated, Locking Manual Override (LMOR).

A00S	C23	—	1	P
Function Single solenoid normally open 023 Single solenoid normally closed C23				Connector Position P With indicator light & surge suppression
Flow Standard type Blank Large flow type J			Voltage 1 24VDC 2 12VDC 4* 5VDC 8* 110/50 VAC 9 120/60 VAC	

* Special Order

N Series

ADEX Series

Viking Xtreme Series

B Series

D Inline Valve Products



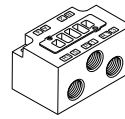
A00 Valve Subbase



Valve type	All Ports	Part number
A00	M3	A00SBM3

Mounting screws and gaskets included with valve.

A05 & A12 Subbases



A05PB

Valve type	Port size	Part number
A05	1/8" NPT	A05PBN1
	1/8" BSPP "G"	A05PBG1
A12	1/4" NPT	A12PBN2
	1/4" BSPP "G"	A12PBG2

Kit Includes: (1) Subbase (Holddown bolts and gasket are included with valve)

A00 Valve Manifold*



MMFS6A00M3 Shown

* Normally closed valves (A00SC23•P) and Normally open valves (A00S023•P) cannot be mounted on the same manifold simultaneously.

MMFS	2	A00	M5
Number of stations		Port size	
2 Stations	2	M3	
3 Stations	3	M5	
4 Stations	4		
•	•		
•	•		
20 Stations	20		

A05 Valve IEM Bar Manifold



MMFU10A05F Shown

4-way, NPTF (Individual wiring type)	MMFU##A05F
4-way, NPTF (Collective wiring type)	MMCU##A05F

– stations 2 to 20
 ## – stations 2 to 12
 (Even numbers only)

A12 Valve IEM Bar Manifold



MMFU10A12F Shown

4-way, NPTF (Individual wiring type)	MMFU##A12F
4-way, NPTF (Collective wiring type)	MMCU##A12F

– stations 2 to 20
 ## – stations 2 to 12
 (Even numbers only)

A05 Valve Subbase Bar Manifold (5-Ported)



4-way, M5 (Individual Wiring Type)	MMFS##A05FM5
4-way, M5 (Collective Wiring Type)	MMCS##A05FM5

– stations 2 to 20
 ## – stations 2 to 12
 (Even numbers only)

A12 Valve Subbase Bar Manifold (5-Ported)



4-way, 1/8" NPTF (Individual Wiring Type)	MMFS##A12FF1
4-way, 1/8" NPTF (Collective Wiring Type)	MMCS##A12FF1

– stations 2 to 20
 ## – stations 2 to 12
 (Even numbers only)

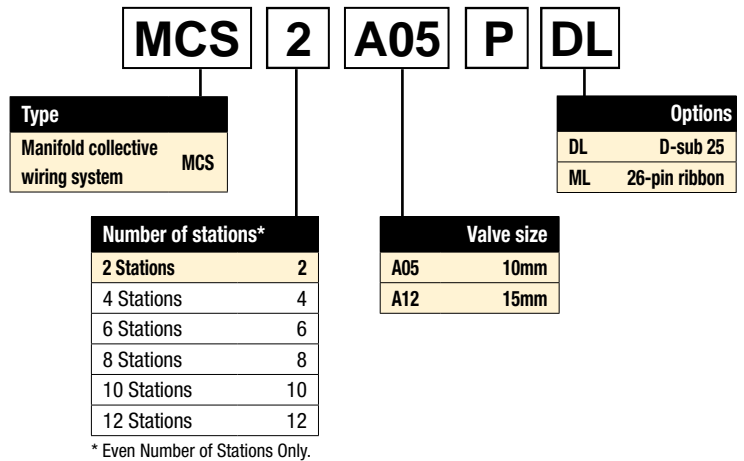
N Series
 ADEX Series
 Viking Xtreme Solenoid
 B Series
 D Inline Valve Products



Collective Wiring



MCS10A05PDL Shown



Individual Wired Connectors P / R Type

Size	Voltage	Length	Part number
 A00 A05 A12	DC	.5 meter	A05PDCCL5
		1 meter	A05PDCCL10
		3 meter	A05PDCCL30
A05PDCCL##	AC	.5 meter	A05PACCL5
		1 meter	A05PACCL10

DC Voltage: Positive "+" (Red Wire)
 Negative "-" (Black Wire)
 AC Voltage: Both Wires are Blue (Polarity Neutral)

Wired Connectors with Protective Cover - P / R Type

Size	Length	Part number
A00	1 meter	A05PDCCB10
A05		
A12		

The cover is made of chloroprene rubber for electrical use, assuring excellent weather and insulation resistance. However, be careful not to place it under splash of cutting oil.

Collective Wired Connectors P / R Type

Size	Part number	Part number	
		PNP	NPN
 A05 Single A12 Double	A05PSCCM	A05PSCC	
	A05PDCCM	A05PDCC	

A05PDCC

PNP = SOURCING = "Negative Common" = Yellow Wires
 NPN = SINKING = "Positive Common" = Red Wires

Cable with Female D-Sub, 25-Pin Connector

Description	Part number
 25-Pin, D-Sub cable, 1 meter (3.3 ft.)	DSS25FB1K

Note: For use with ADEX MCS system only.
 Connection to control system is through 25 colored wires AWG 24. Includes (2) M2.5 mm screws.

N Series
 ADEX Series
 Viking Xtreme Series
 B Series
 D
 Inline Valve Products

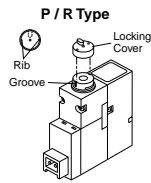
Blanking Plate

Size	Type	Part number
A00	Subbase	A00SBP
A05	Body ported	A05RGBP
	Subbase	A05PGBP
A12	Body ported	A12RGBP
	Subbase	A12PGBP

A00SBP A05RGBP A05PGBP

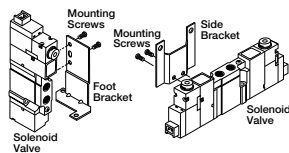
* Outlet pin cover used with collective wiring system only.

Extended Override Cover



Size	Orange: for 14 side solenoid	Green: for 12 side solenoid
A00	A05PLA	A05PLB
A05		
A12		

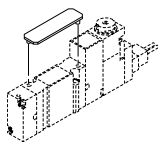
Mounting Bracket



Size	Type	Part number
A05	Side	A05RBS
	Foot	A05RBF
A12	Side	A12RBS
	Foot	A12RBF

Kit Includes: (1) Bracket, (2) Screws

Labeling Tag



Size	Description	Part number
A05	White Label Tag	A05PN
A12		

Exhaust Mufflers



Pipe thread	Part number
M5	P6M-PAC5
1/8" NPT	EM12
1/4" NPT	EM25

P6M - Plastic; EM - Sintered Bronze

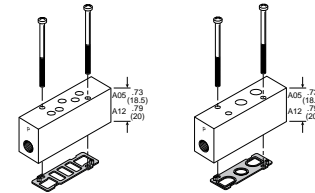
Plastic Silencers



Thread size	Part number	
	NPT	BSPT
M5	AS-5	N/A
1/8"	ASN-6	AS-6
1/4"	ASN-8	AS-8

Individual Air Supply Spacer

Mounts between valve and manifold. Supply from the manifold is blocked and only the valve mounted on the spacer receives the individual supply.



A05PAISM5 A05RAISM5

Size	Type	Port size	Internal pilot part number	External pilot* part number
A05	Inline	M5	A05RAISM5	A05RAXISM5
	Subbase	M5	A05PAISM5	A05PAXISM5
A12	Inline	1/8" NPT	A12RAISN1	A12RAXISN1
	Subbase	1/8" NPT	A12PAISN1	A12PAXISN1

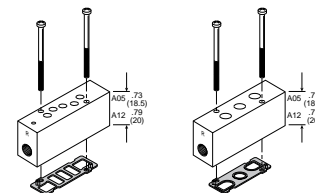
Can only be used on Collective wiring type manifolds.

* Can only be used with External Piloted valve. External pilot is located on the X Port of the manifold

Kit Includes: (1) Spacer, (2) Screws, and (1) Gasket

Individual Air Exhaust Spacer

Mounts between valve and manifold. Exhaust from the manifold is blocked and only the valve mounted on the spacer has the individual exhaust.



A05PAIEM5 A05RAIEM5

Size	Type	Port size	Internal pilot part number	External pilot* part number
A05	Inline	M5	A05RAIEM5	A05RAXIEM5
	Subbase	M5	A05PAIEM5	A05PAXIEM5
A12	Inline	1/8" NPT	A12RAIEN1	A12RAXIEN1
	Subbase	1/8" NPT	A12PAIEN1	A12PAXIEN1



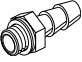
Can only be used on Collective wiring type manifolds.

* Can only be used with External Piloted valve. External pilot is located on the X Port of the manifold

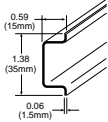
Kit Includes: (1) Spacer, (2) Screws, and (1) Gasket



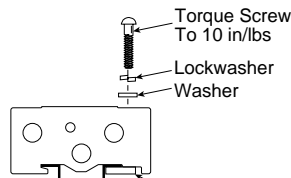
M3 & M5 Fittings

	Description	Part number
	M5 Plug Fitting	N220-1900J
	M3 to 3mm Barb	BC03M3
	M3 to 4mm Barb	BC04M3
	M5 to 3mm Barb	BC03M5

DIN Rail

	Length	Part number
	6 Feet	AM1DE200

DIN Rail Hardware Kit



Size	Type	Dimensions			Part number
		A	B	C	
A05	IEM	2.24	1.00	.31	MFUA05DB
	Subbase	(57)	(25)	(8)	MFSA05DB
A12	IEM	2.91	1.00	.39	MFUA12DB
	Subbase	(74)	(25)	(10)	MFSA12DB

Kit includes: (2) Screws, (2) Clamps

Replacement Cylinder Port Plate Kits

Size	Fitting	Part number
A05	M5	A05RABM5
A12	1/8" NPT	A12RABN1
	1/8" BSPP "G"	A12RABG1

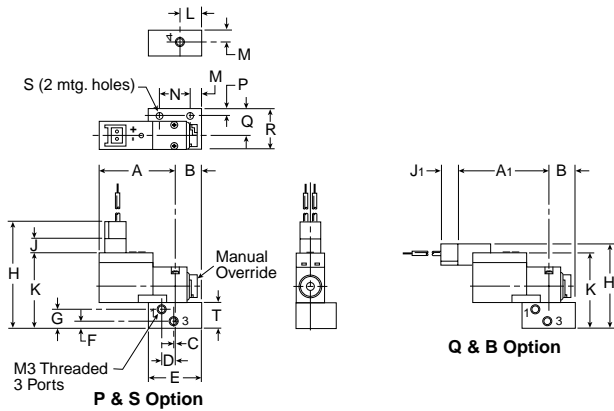
Replacement Base Gasket Kits

Size	Type	Gaskets	
		Gasket only	Screw
A00	Subbase	A00SG	A00SS
	Body Ported	A05RG	A05RS
A05	Subbase Int.	A05PG	A05PS
	Subbase Ext.	A05PXG	A05PS
A12	Body Ported	A12RG	A12RS
	Subbase Int.	A12PG	A12PS
	Subbase Ext.	A12PXG	A12PS

These are spare parts, mounting screws and gaskets included with valves.

N Series
ADEX Series
Viking Xtreme Series
B Series
D Inline Valve Products

A00 Subbase

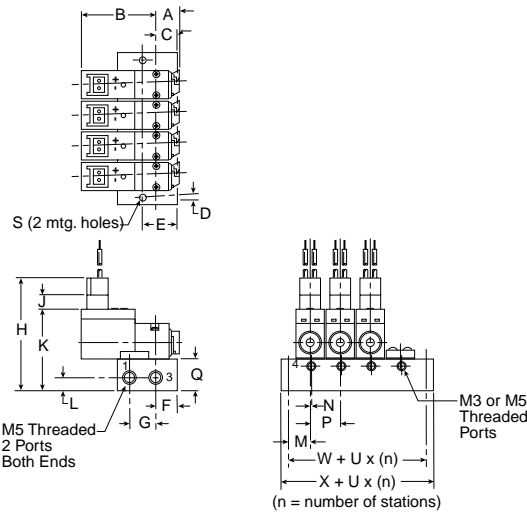


A00 - Subbase

A	A1	B	C	D
1.00 (25)	1.18 (30)	.41 (11)	.015 (.4)	.17 (4)
E	F	G	H	H1
.79 (20)	.12 (3)	.28 (7)	1.54 (39)	1.38 (34)
J	J1	K	L	M
.24 (6)	.20 (5)	1.11 (28)	.32 (8)	.18 (5)
N	P	Q	R	S
.47 (12)	.10 (3)	.39 (10)	.59 (15)	.106 (2.7)
T	.38 (10)			

Inches (mm)

A00 Manifold

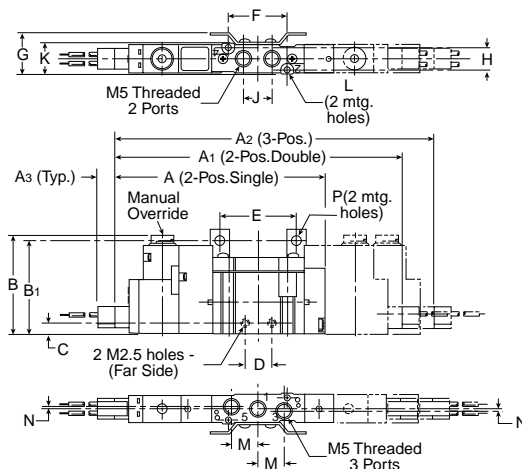


A00 - Manifold

A	B	C	D	E	
.36 (9)	1.00 (25)	.31 (8)	.10 (3)	.51 (13)	
F	G	H	J	K	
.31 (8)	.39 (10)	1.63 (42)	.20 (5)	1.22 (31)	
L	M	N	P	Q	
.20 (5)	.33 (9)	.02 (.6)	.41 (10.5)	.47 (12)	
S	U	X	W		
.125 (3.2)	.41 (10.5)	.45 (11.5)	.26 (6.5)		

Inches (mm)

A05R Single & Double Operators – Inline



A05R – Inline

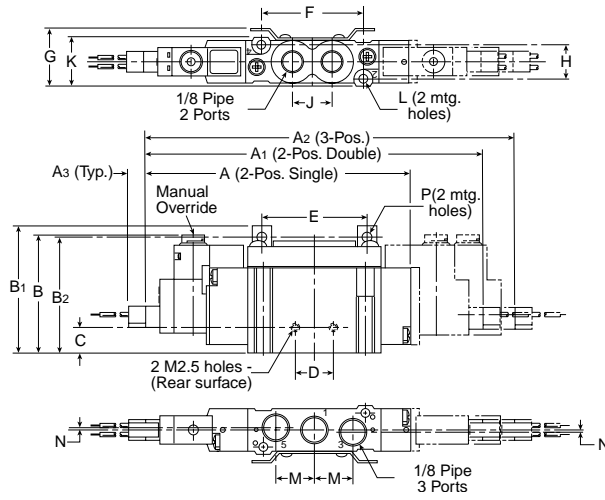
A	A1	A2	A3	B
2.91 (74)	3.94 (100)	4.25 (108)	.24 (6)	1.38 (35)
B1	C	D	E	F
1.30 (33)	.16 (4)	.38 (10)	1.06 (27)	.83 (21)
G	H	J	K	L
.57 (15)	.33 (9)	.40 (10)	.45 (11.4)	∅ .08 ∅ (2.1)
M	N	P		
.37 (10)	.04 (1)	∅ .14 ∅ (3.5)		

Inches (mm)

N Series
 ADEX Series
 Viking Xtreme Solenoid
 B Series
 D Inline Valve Products



A12R Single & Double Operators – Inline

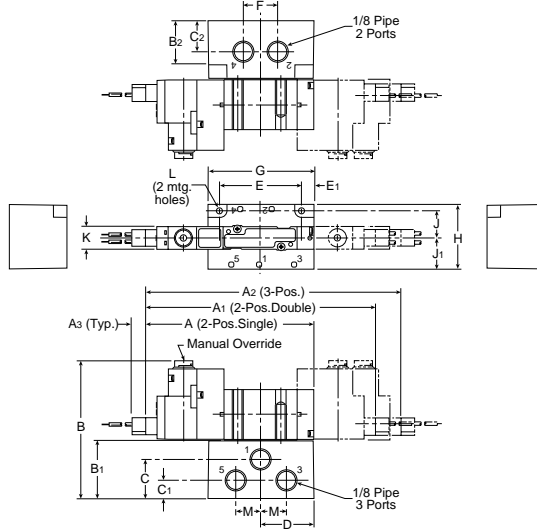


A12R – Inline

A	A1	A2	A3	B
3.68 (94)	4.69 (119)	5.12 (130)	.24 (6)	1.64 (42)
B1	B2	C	D	E
1.77 (45)	1.70 (43)	.35 (9)	.51 (13)	1.46 (37)
F	G	H	J	K
1.42 (36)	.80 (20)	.47 (12)	.55 (14)	.68 (17)
L	M	N	P	
Ø .12 Ø (3.1)	.55 (14)	.03 (0.8)	Ø .14 Ø (3.5)	

Inches (mm)

A05P Single & Double Operators – Subbase

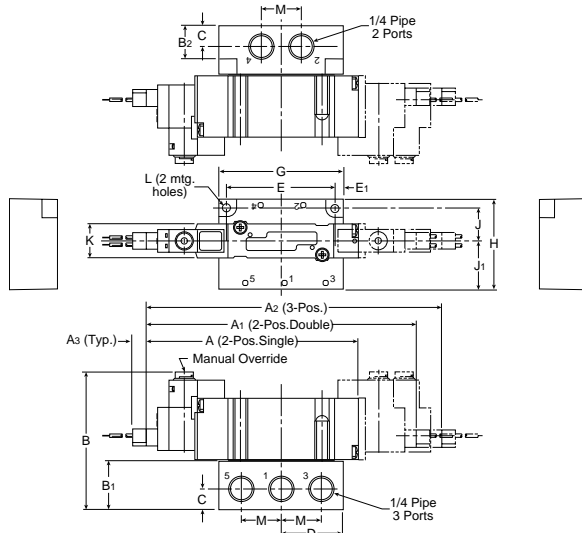


A05P – Subbase

A	A1	A2	A3	B
2.91 (74)	3.94 (100)	4.25 (108)	.24 (6)	2.35 (60)
B1	B2	C	C1	C2
.96 (25)	.75 (19)	.65 (17)	.30 (8)	.53 (14)
D	E	E1	F	G
.89 (23)	1.38 (35)	.20 (5)	.57 (15)	1.77 (45)
H	J	J1	K	L
.08 (28)	.45 (11.5)	.51 (13)	.39 (10)	Ø .13 Ø (3.2)
M				
.45 (12)				

Inches (mm)

A12P Single & Double Operators – Subbase



A12P – Subbase

A	A1	A2	A3	B
3.68 (94)	4.69 (119)	5.12 (130)	.24 (6)	2.41 (61)
B1	B2	C	D	E
.87 (22)	.75 (19)	.37 (10)	1.10 (28)	1.89 (48)
E1	G	H	J	J1
.16 (4)	2.20 (56)	1.59 (41)	.57 (14.5)	.87 (22)
K	L	M		
.59 (15)	Ø .17 Ø (4.3)	.71 (18)		

Inches (mm)

N Series

ADEX Series

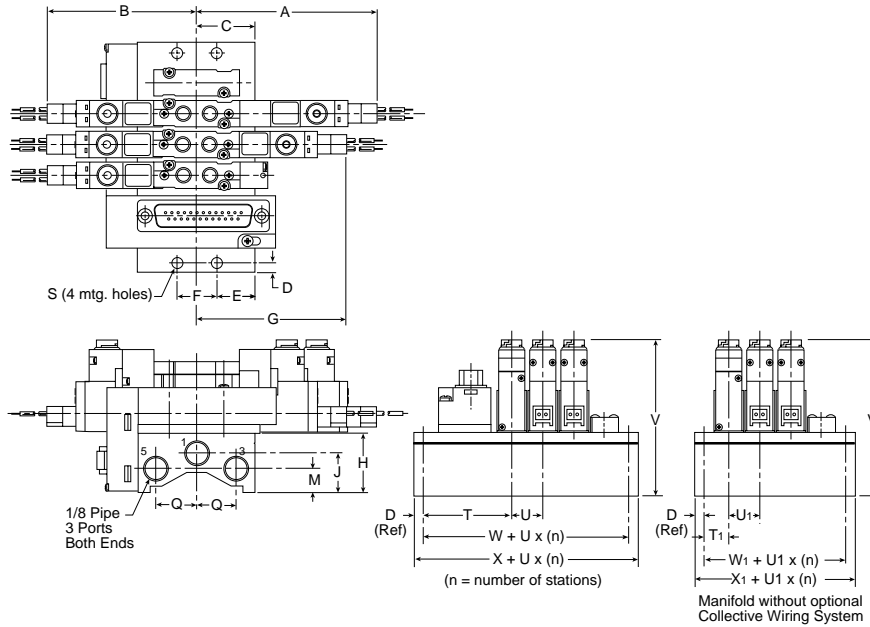
Viking Xtreme Series

B Series

D Inline Valve Products



A05R Manifold – Valve Inline



A05R - Manifold, Valve Inline

A	B	C	D	E
2.52 (64)	2.21 (56)	.94 (24)	.16 (4)	.61 (16)
F	G	H	J	M
.63 (16)	2.21 (56)	.94 (24)	.61 (16)	.37 (10)
Q	S	T	T₁	U
.63 (16)	∅ .18 ∅ (4.5)	1.34 (34)	.51 (13)	.49 (12.5)
U₁	V	W	W₁	X
.41 (10.5)	2.32 (59)	1.36 (35)	.37 (9.5)	.167 (43)
X₁				
.68 (17.5)				

Inches (mm)

N Series

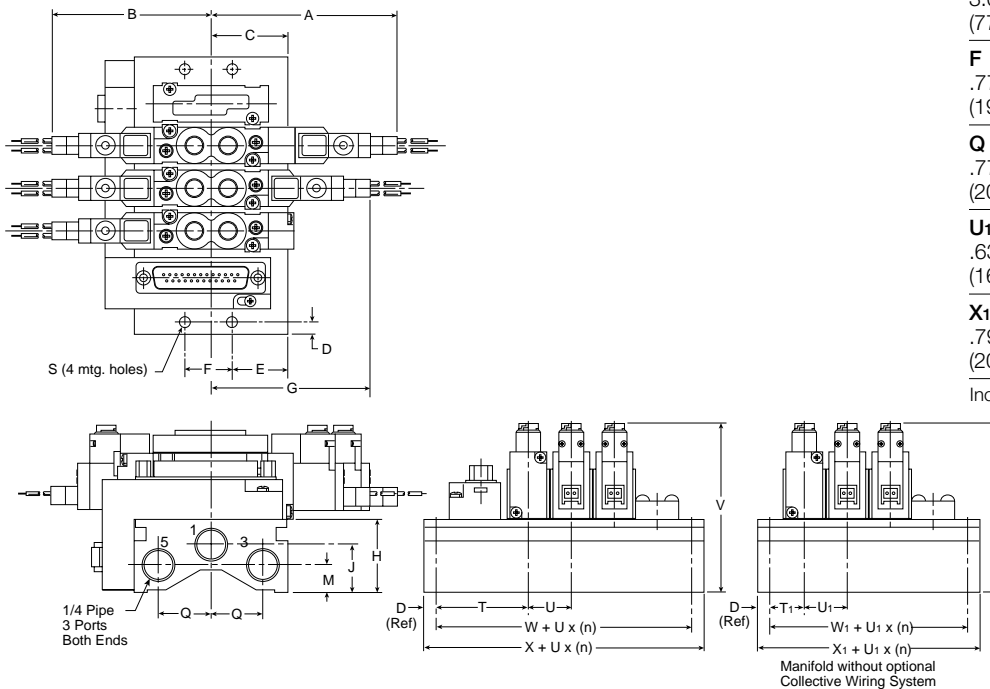
ADEX Series

Viking Xtreme Solenoid

B Series

D Inline Valve Products

A12R Manifold – Valve Inline

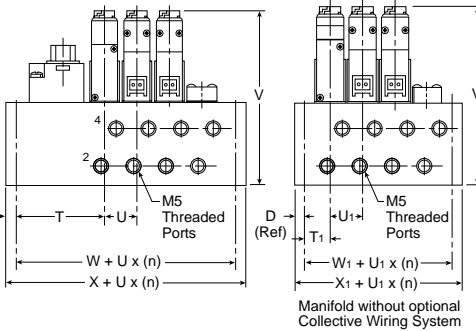
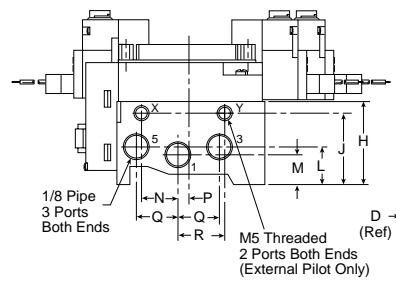
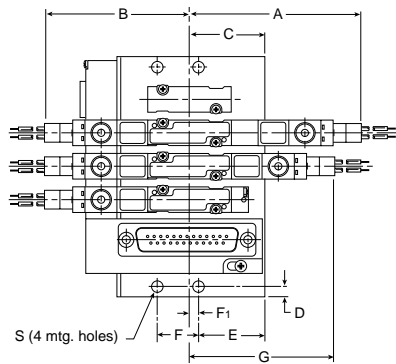


A12R - Manifold, Valve Inline

A	B	C	D	E
3.01 (77)	2.58 (66)	1.14 (29)	.20 (5)	.76 (19)
F	G	H	J	M
.77 (19.6)	2.58 (66)	1.08 (28)	.71 (18)	.41 (11)
Q	S	T	T₁	U
.77 (20)	∅ .18 ∅ (4.5)	1.48 (38)	.51 (13)	.69 (17.5)
U₁	V	W	W₁	X
.63 (16)	2.74 (70)	1.34 (34)	.39 (10)	1.73 (44)
X₁				
.79 (20)				

Inches (mm)

A05P Manifold – Side Ports

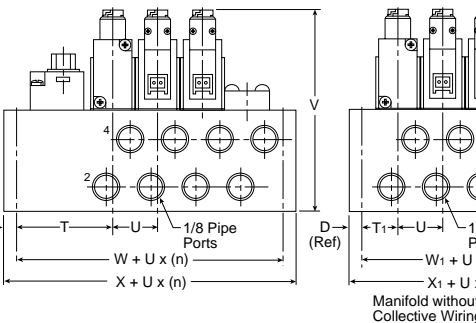
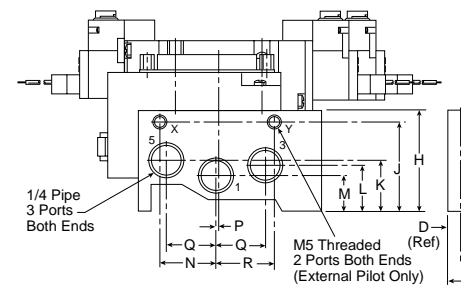
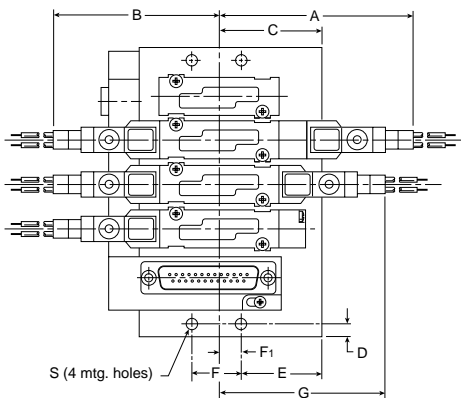


A05P – Manifold, Side Ports

A	B	C	D	E
2.52 (64)	2.21 (56)	1.12 (29)	.16 (4)	1.00 (26)
F	F1	G	H	J
.63 (16)	.19 (5)	2.21 (56)	1.26 (32)	1.08 (28)
L	M	N	P	Q
.59 (15)	.45 (11.5)	.55 (14)	.13 (3)	.63 (16)
R	S	T	T1	U
.71 (18)	∅ .18 ∅ (4.5)	1.34 (34)	.39 (10)	.49 (12.5)
U1	V	W	W1	X
.41 (10.5)	2.64 (67)	1.32 (34)	.37 (10)	1.65 (42)
X1	.67 (18)			

Inches (mm)

A12P Manifold – Side Ports



A12P – Manifold, Side Ports

A	B	C	D	E	F
3.01 (77)	2.58 (66)	1.59 (40)	.20 (5)	1.25 (32)	.77 (20)
F	G	H	J	K	L
.34 (9)	2.58 (66)	1.57 (40)	1.38 (35)	.79 (20)	.71 (18)
M	N	P	Q	R	S
.55 (14)	.87 (22)	.04 (1)	.77 (20)	.91 (23)	∅ .18 ∅ (4.5)
T	T1	U	V	W	W1
1.48 (38)	.59 (13)	.69 (17.5)	3.09 (79)	1.34 (34)	.33 (9)
X	X1	1.73 (44)			
		.73 (19)			

Inches (mm)

