

- Heavy-duty cast aluminum housings to withstand operating pressures up to 250 PSIG
- Differential pressure indicator to eliminate the guesswork of element replacement
- Unique drain mounting plate design offers a trouble-free method for interchanging and installing external drains



35F



43F

Material specifications



Description	35F, 43F (Hi-Flow)
Baffle	Plated steel
Body	Aluminum
Bowl	Aluminum
Deflector	Plated steel
Filter element	Polyethylene
Seals	Fluorocarbon
Stud	Plated steel

Operating information

		35F (Hi-Flow)	43F (Hi-Flow)
Operating pressure:	With DP gauge & without DPI	250 PSIG (17.2 bar)	250 PSIG (17.2 bar)
	With DPI	150 PSIG (10.3 bar)	150 PSIG (10.3 bar)
Operating temperature:		32°F to 150°F (0°C to 65.5°C)	32°F to 150°F (0°C to 65.5°C)
	For technical information see CD		

Particulate Filters



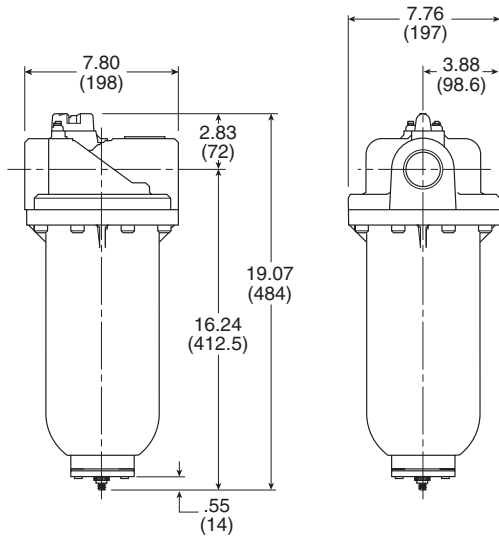
	Port size	Bowl type	Flow SCFM	Element type	Part number (NPT)
					Automatic drain
35F 	1-1/2	Metal	1280	5 micron	35F77BAP
	2	Metal	1400	5 micron	35F87BAP
43F 	3	Metal	2900	5 micron	43FN7BAP

 Most popular.

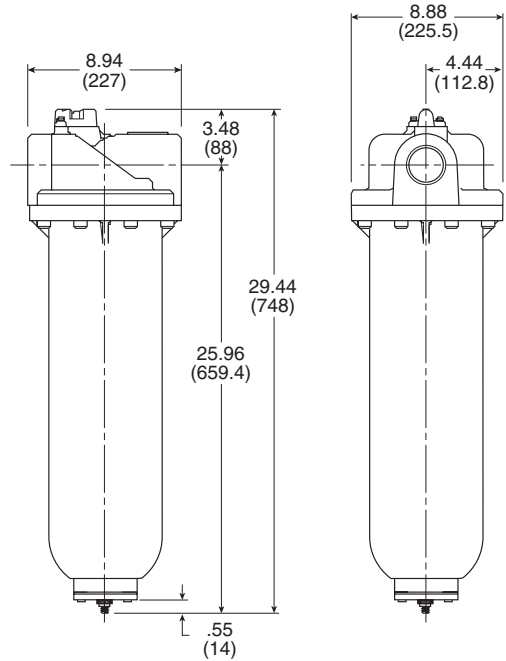


General Industrial
Air Preparation Products
Liquid Separators
Particulate Filters
Coalescing Filters
Regulators
Pilot Regulators
Filter / Regulators
Micro-Mist Lubricators
Mist Lubricators
Combinations

35F (Hi-Flow)



43F (Hi-Flow)



Service kits

Description	35F (Hi-Flow)	43F (Hi-Flow)
DPI replacement kit	DP2-02-001	DP2-02-001
DPI cap	Pressures over 150 PSIG GRP-95-022	GRP-95-022
DP gauge	DP3-01-000	DP3-01-000
Automatic float drain kit	Auto internal drain 1/8" P32KA00DA	P32KA00DA
Manual drain kit	with 1/2" drain plate GRP-95-392	GRP-95-392
Drain plate kit	1/2 NPT tapped port GRP-95-393	GRP-95-393
Filter element kit	5 micron FRP-95-505	FRP-95-508