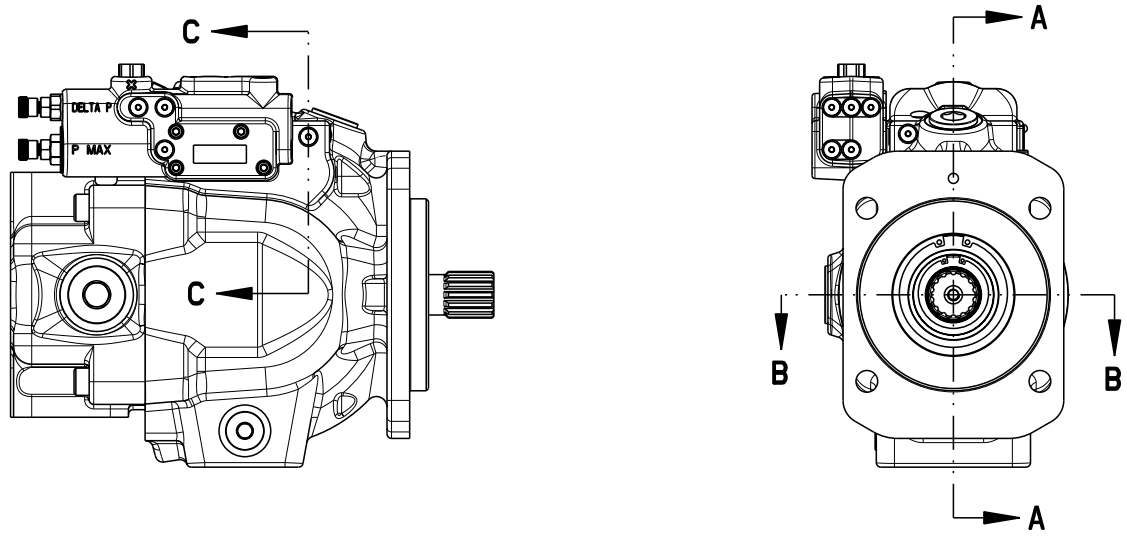
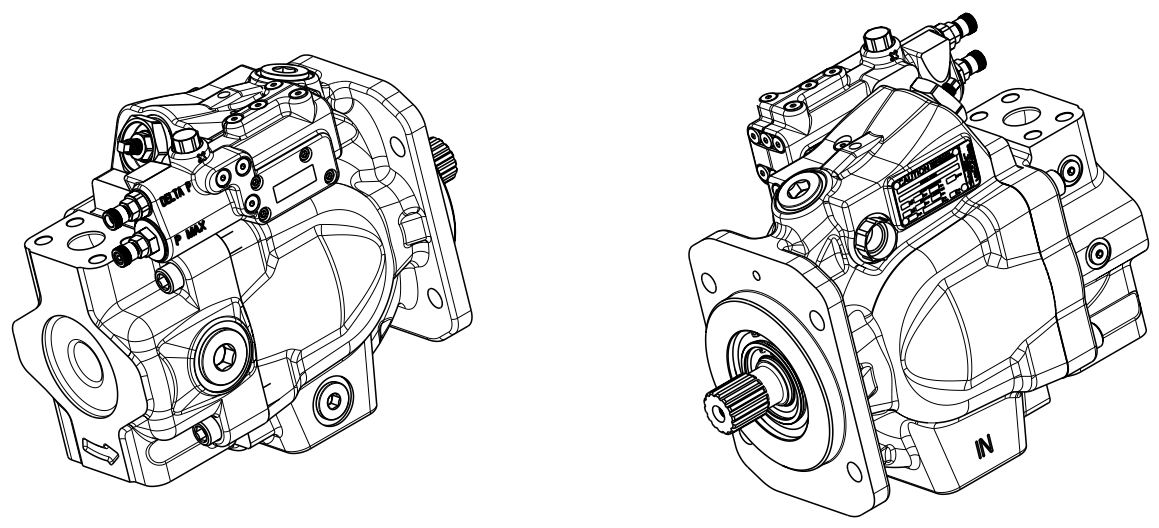
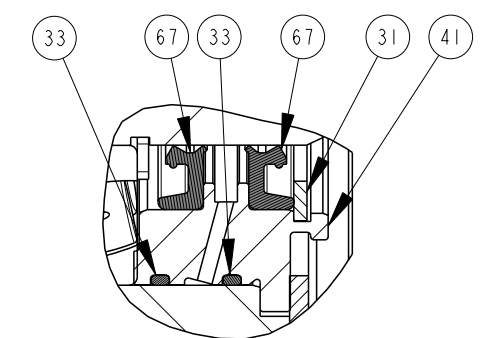
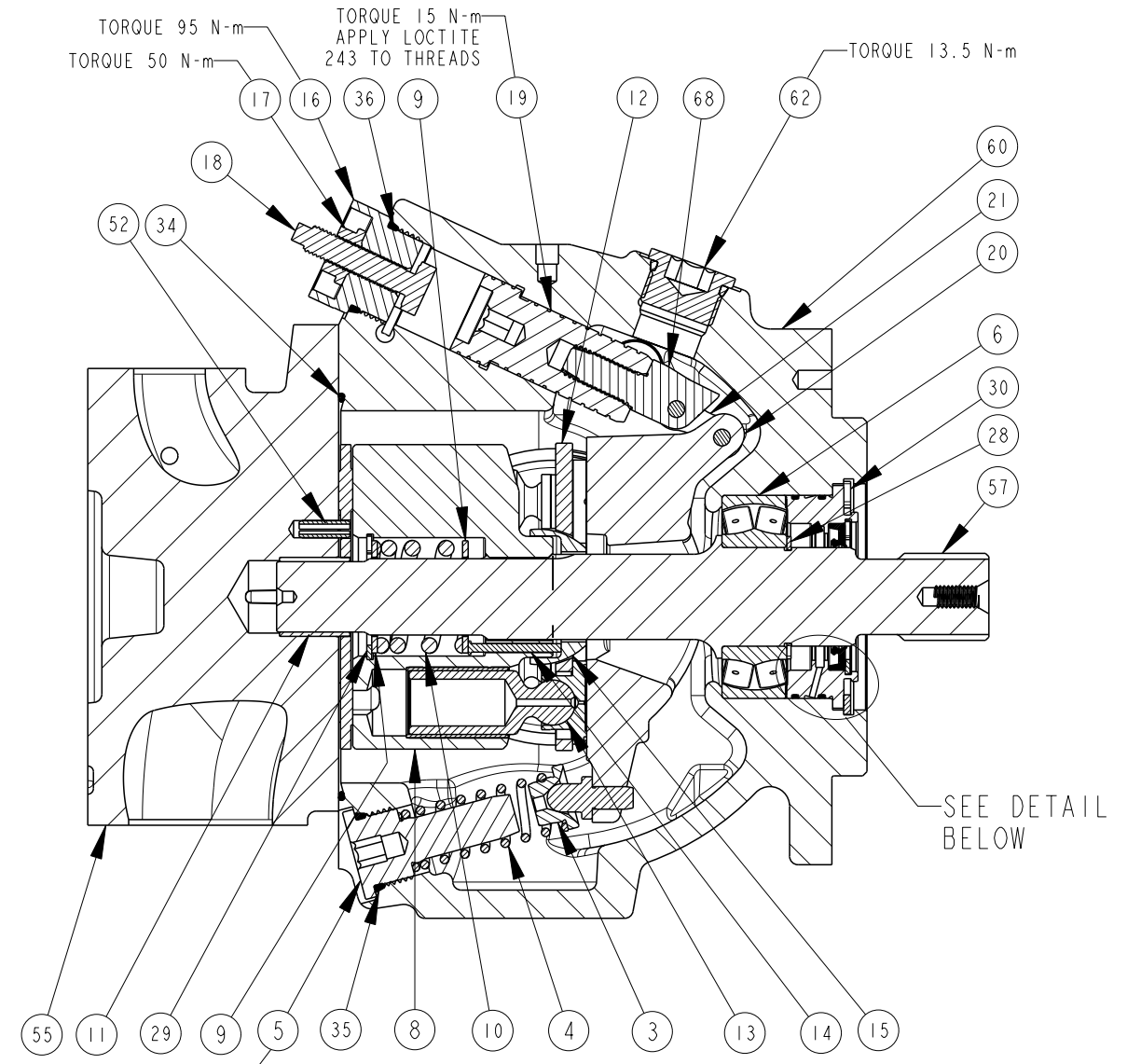


TITLE	DRAWING NUMBER	REVISION	STATUS	SHEET
SERVICE PARTS P2060 DESIGN SERIES 12	P2-060-0405	A	PR	1 OF 7

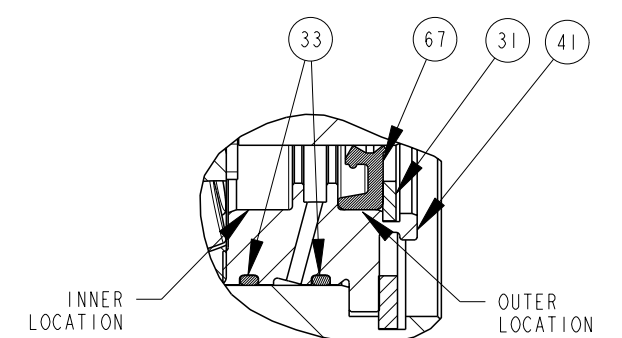
DRAWN BY	DATE	CHANGED BY	DATE	ECN NUMBER
STREHLOW	23NOV04	J. LAMBERS	30MAY06	134595



NOTES:
 1 PUMP SHOWN IS A RIGHT HAND (CW) ROTATION PUMP. LEFT HAND (CCW) ROTATION PUMPS HAVE OUTLET GAUGE PORT REVERSED.



DUAL SHAFT SEAL ASSEMBLY
 P2-060-0210-02
 SECTION A-A
 SCALE 1:1

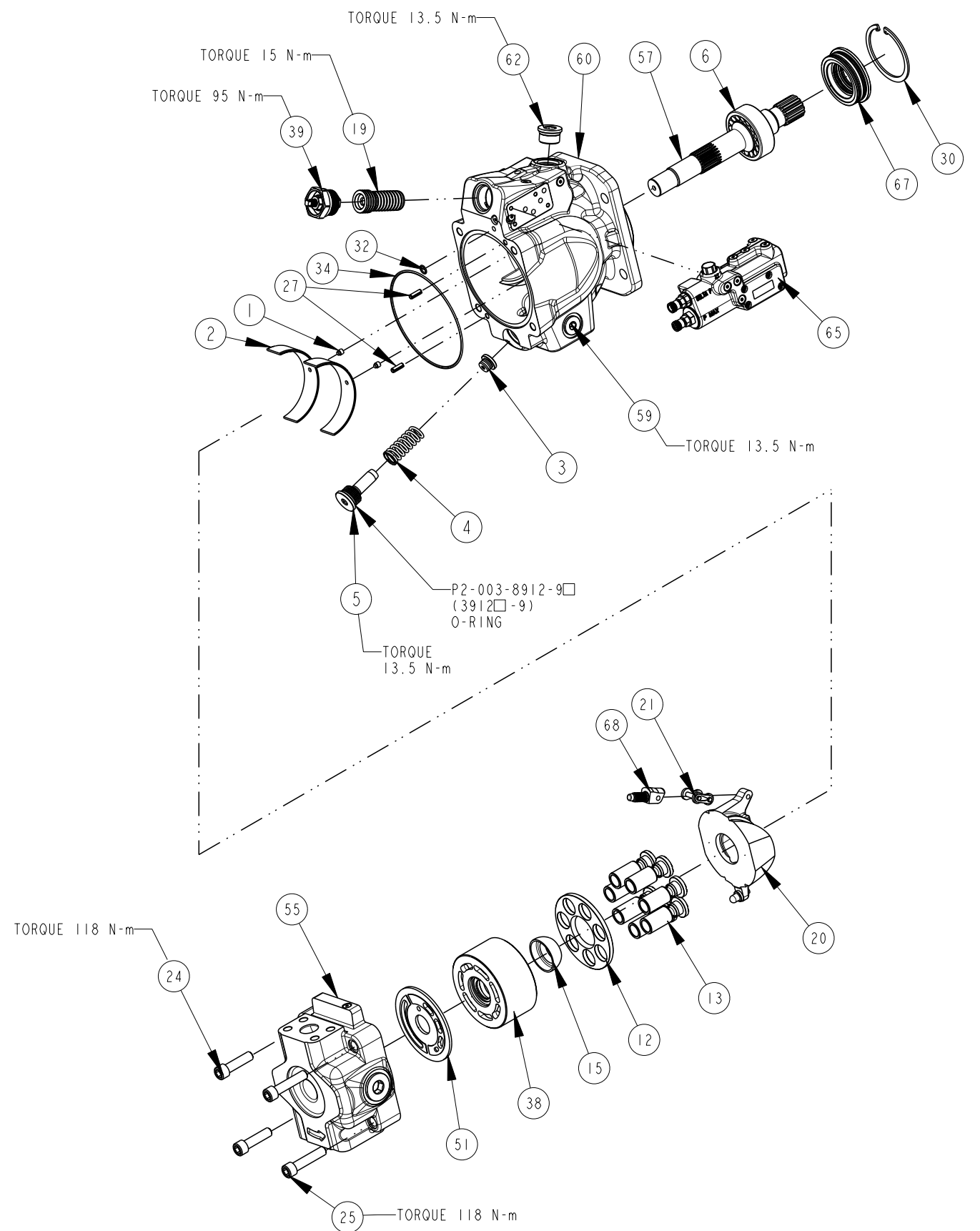
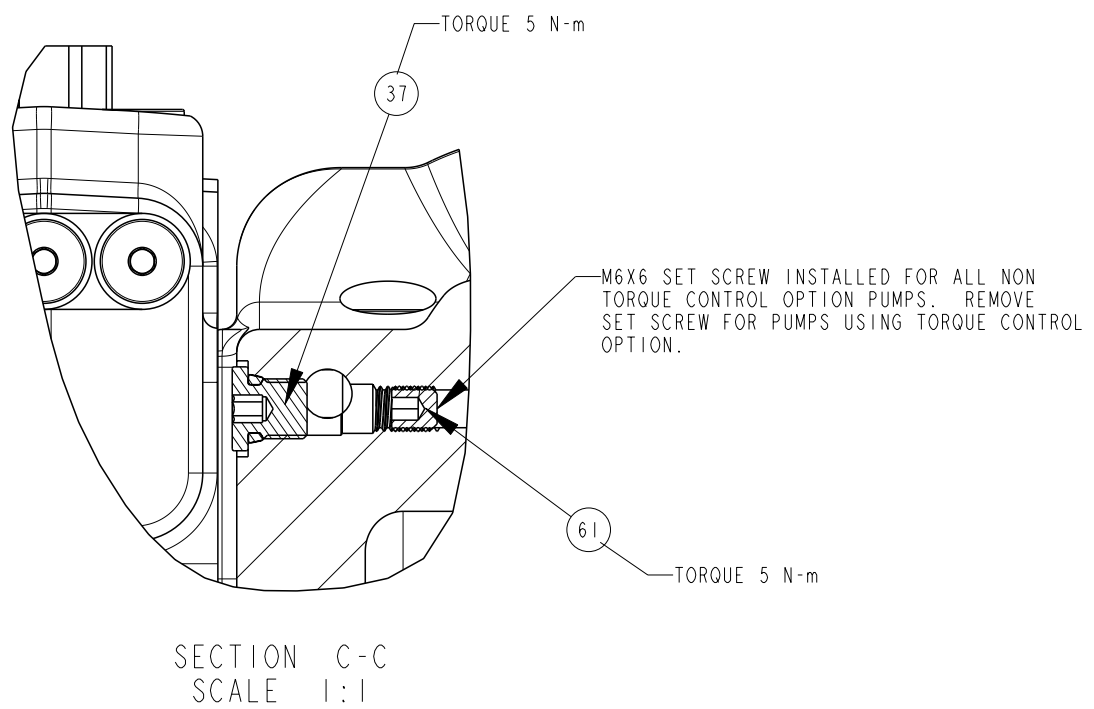
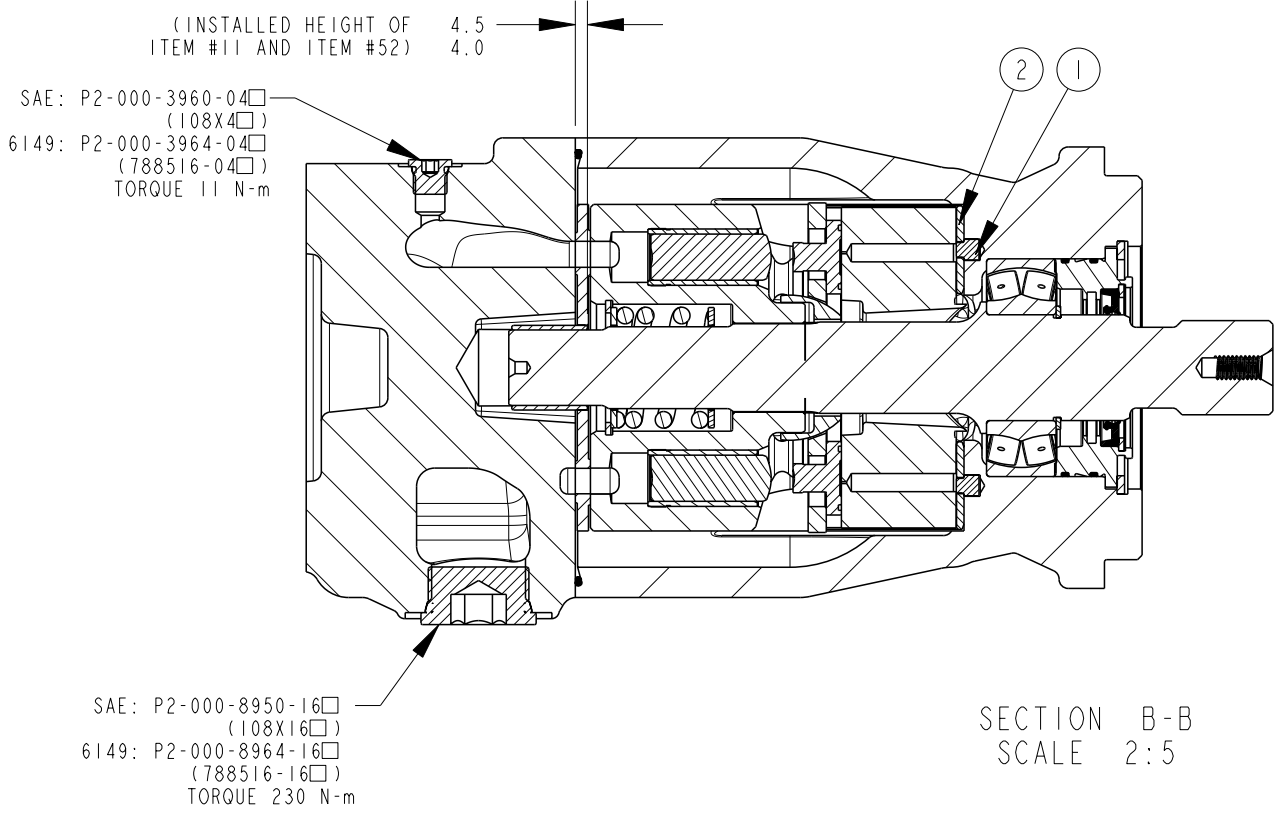


SINGLE SHAFT SEAL ASSEMBLY
 P2-060-0210-01
 SECTION A-A
 SCALE 1:1



TITLE	DRAWING NUMBER	REVISION	STATUS	SHEET 2 OF 7
SERVICE PARTS P2060 DESIGN SERIES 12	P2-060-0405	A	PR	

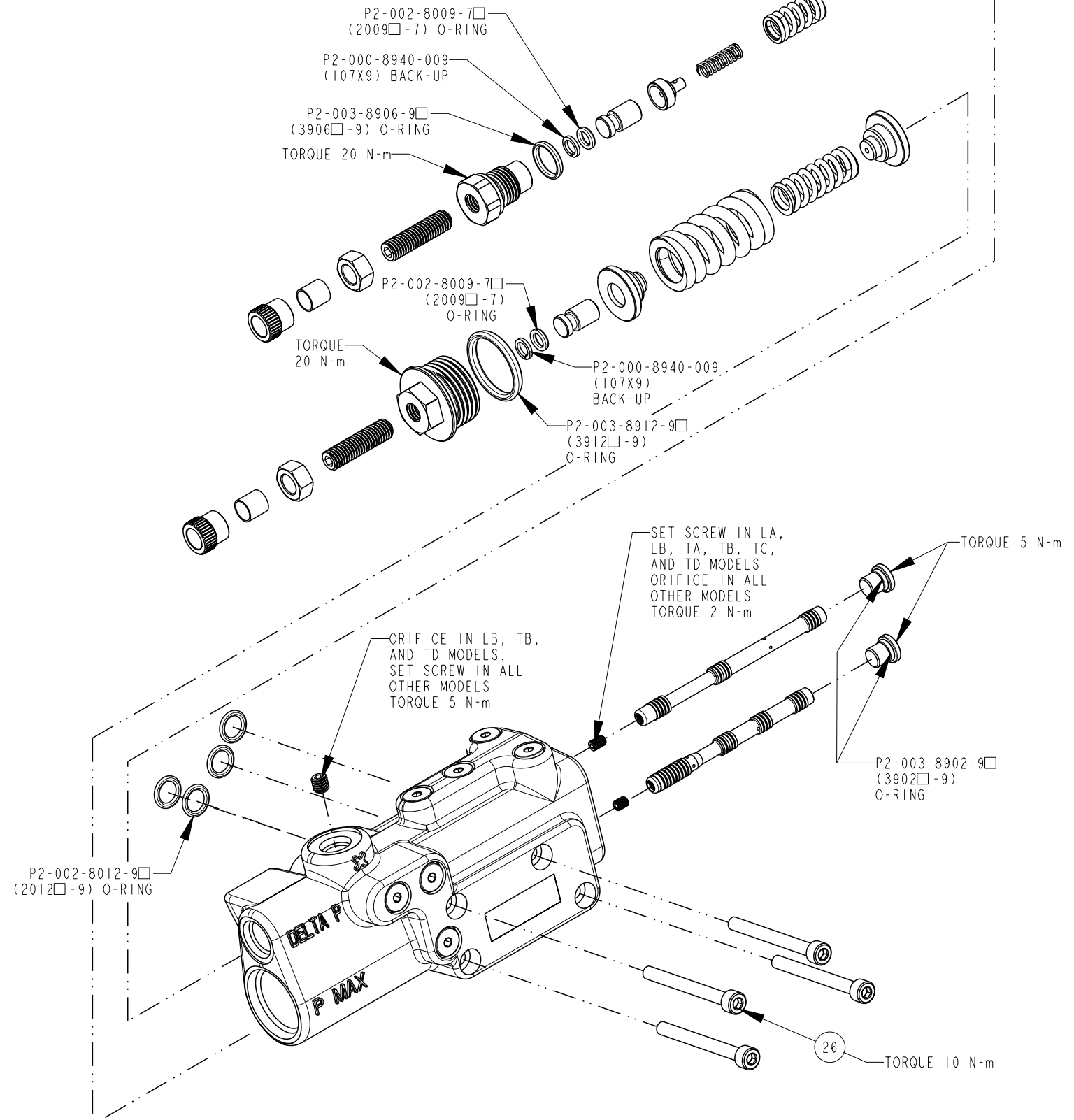
DRAWN BY	DATE	CHANGED BY	DATE	ECN NUMBER
STREHLOW	23NOV04	J. LAMBERS	30MAY06	SEE SHEET 1



TITLE	DRAWING NUMBER	REVISION	STATUS	SHEET
SERVICE PARTS P2060 DESIGN SERIES 12	P2-060-0405	A	PR	3 OF 7

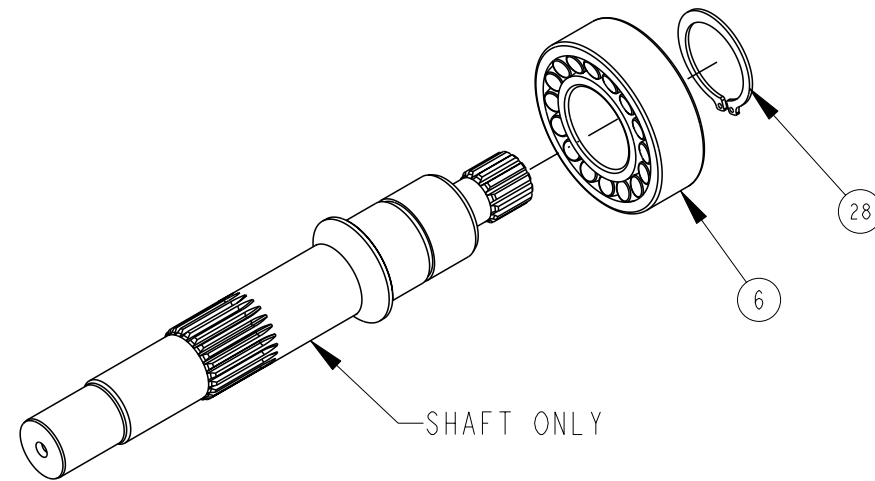
DRAWN BY	DATE	CHANGED BY	DATE	ECN NUMBER
STREHLOW	23NOV04	J. LAMBERS	30MAY06	SEE SHEET 1

COMPENSATOR KITS ITEM 65



TITLE	DRAWING NUMBER	REVISION	STATUS	SHEET
SERVICE PARTS P2060 DESIGN SERIES 12	P2-060-0405	A	PR	5 OF 7

SHAFT ASSEMBLY KITS ITEM 57

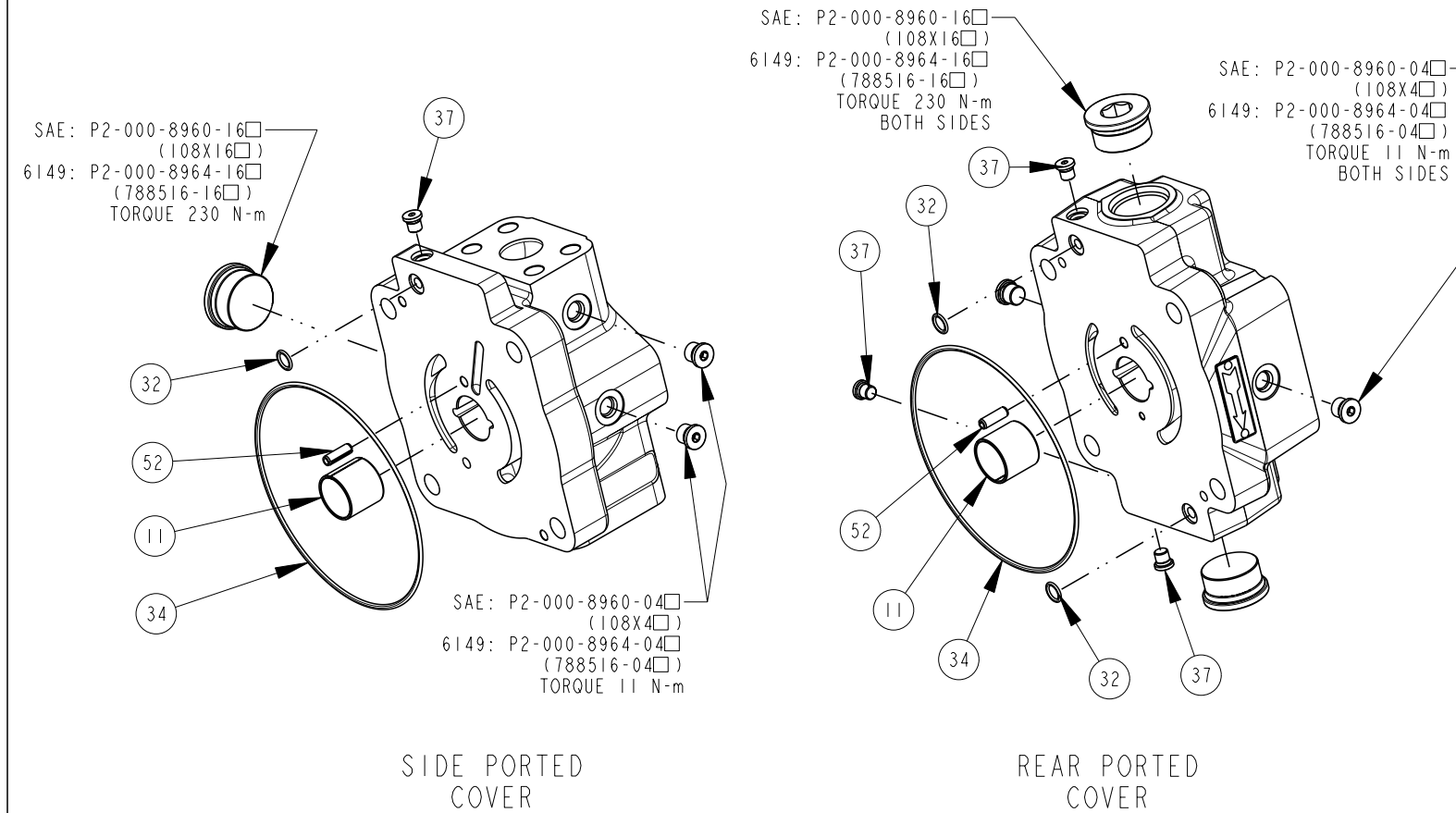


SHAFT ASSEMBLY INCLUDES SHAFT, BEARING, AND SNAP RING

SHAFT ONLY	SHAFT ASSY	DESCRIPTION
P2-060-3521	P2-060-0225-31	B SPLINE
P2-060-3522	P2-060-0225-32	B SPLINE THRU
P2-060-3523	P2-060-0225-33	BB SPLINE
P2-060-3524	P2-060-0225-34	BB SPLINE THRU
P2-060-3512	P2-060-0225-35	C SPLINE
P2-060-3525	P2-060-0225-36	C SPLINE THRU
P2-060-3528	P2-060-0225-41	B KEY
P2-060-3529	P2-060-0225-42	B KEY THRU
P2-060-3530	P2-060-0225-43	BB KEY
P2-060-3531	P2-060-0225-44	BB KEY THRU
P2-060-3532	P2-060-0225-45	C KEY
P2-060-3533	P2-060-0225-46	C KEY THRU
P2-060-3538	P2-060-0225-51	B SPLINE NO UNDERCUT
P2-060-3539	P2-060-0225-52	B SPLINE THRU NO UNDERCUT
P2-060-3540	P2-060-0225-53	BB SPLINE NO UNDERCUT
P2-060-3541	P2-060-0225-54	BB SPLINE THRU NO UNDERCUT
P2-060-3542	P2-060-0225-55	C SPLINE NO UNDERCUT
P2-060-3520	P2-060-0225-56	C SPLINE THRU NO UNDERCUT

DRAWN BY	DATE	CHANGED BY	DATE	ECN NUMBER
STREHLOW	23NOV04	J. LAMBERS	30MAY06	SEE SHEET 1

COVER ASSEMBLY KITS ITEM 55



COVER ONLY	COVER ASSY	DESCRIPTION
P2-060-1013-01	P2-060-0226-01	SIDE PORTS, CCW, UNC
P2-060-1013-02	P2-060-0226-02	SIDE PORTS, CCW, UNC, THRU
P2-060-1013-03	P2-060-0226-03	SIDE PORTS, CCW, METRIC
P2-060-1013-04	P2-060-0226-04	SIDE PORTS, CCW, METRIC, THRU
P2-060-1014-01	P2-060-0226-05	SIDE PORTS, CW, UNC
P2-060-1014-02	P2-060-0226-06	SIDE PORTS, CW, UNC, THRU
P2-060-1014-03	P2-060-0226-07	SIDE PORTS, CW, METRIC
P2-060-1014-04	P2-060-0226-08	SIDE PORTS, CW, METRIC, THRU
P2-060-1017-01	P2-060-0226-17	REAR PORTS, CW, UNC
P2-060-1017-02	P2-060-0226-18	REAR PORTS, CW, METRIC
P2-060-1017-01	P2-060-0226-19	REAR PORTS, CCW, UNC
P2-060-1017-02	P2-060-0226-20	REAR PORTS, CCW, METRIC

TITLE	DRAWING NUMBER	REVISION	STATUS	SHEET
SERVICE PARTS P2060 DESIGN SERIES 12	P2-060-0405	A	PR	6 OF 7

DRAWN BY	DATE	CHANGED BY	DATE	ECN NUMBER
STREHLOW	23NOV04	J. LAMBERS	30MAY06	SEE SHEET 1

TORQUE CONTROL CARTRIDGE

P2-000-0803 □ - ITEM 63

ASSEMBLY, DIS-ASSEMBLY AND REPAIR NOTES

DISASSEMBLY STEPS FOR ENTIRE PUMP

1. REMOVE COVER SCREWS AND COVER
2. REMOVE ROTATING GROUP
3. REMOVE SHAFT SEAL CARRIER
4. REMOVE SHAFT
5. REMOVE BIAS SPRING PLUG, SPRING AND RETAINER
6. REMOVE MAX. VOLUME ASSY
7. REMOVE SERVO PISTON
8. REMOVE SWASHPLATE ASSEMBLY

SHAFT SEAL REPLACEMENT

1. REMOVE SEAL CARRIER ONLY
2. REMOVE OLD SEAL
3. INSPECT SHAFT
4. IF SHAFT IS WORN INSTALL NEW SEAL IN INNER LOCATION FOR SINGLE SEAL APPLICATIONS (SEE SHEET 1).
REPLACE SHAFT FOR DUAL SEAL APPLICATIONS

