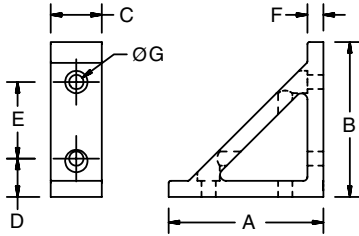
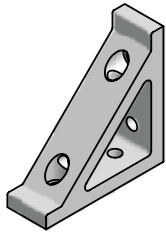
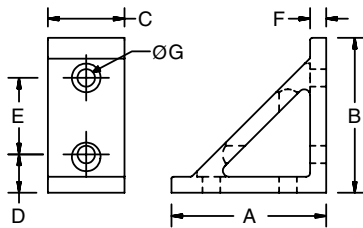
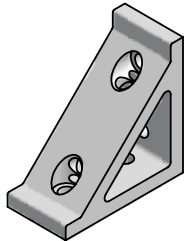


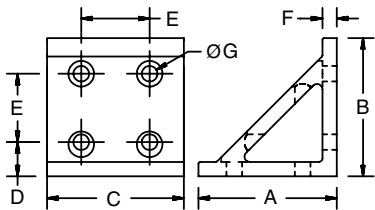
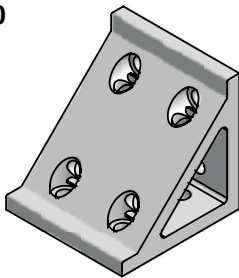
Machined Gussets



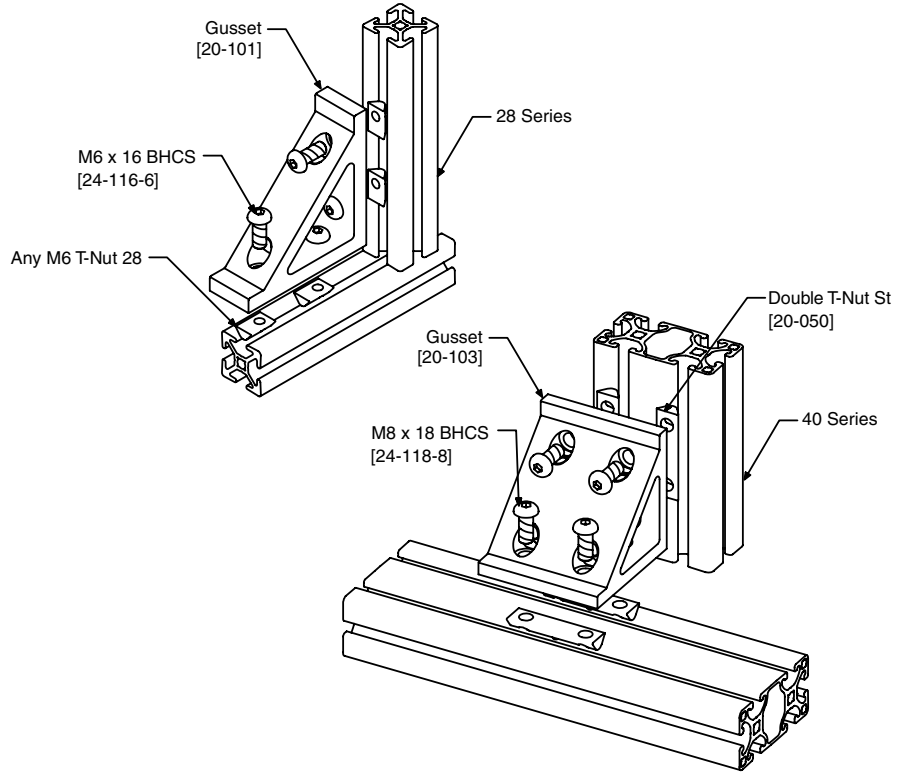
20-101
20-442



20-102
20-440



20-103
20-441



Application

Provide a high strength connection between profiles. Gussets are used to attach profiles at 90° angles without additional fasteners. Can be added to joints with fasteners to increase strength or ensure accurate right angles.

Technical Data

Aluminum, Clear Anodized
Order all hardware separately.

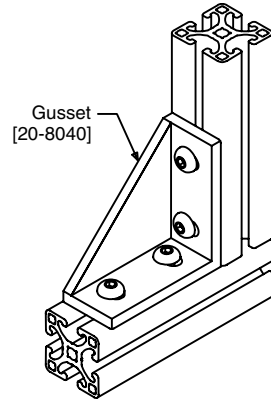
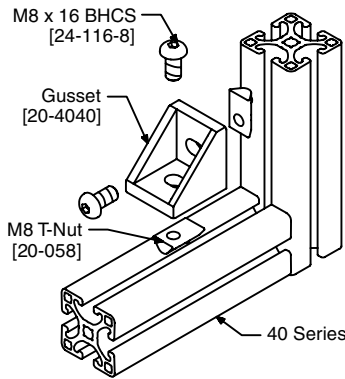
Recommended Fasteners (Order Separately)

Series	Screws	T-Nuts
40	24-118-8	20-058 or 20-050
30	24-116-6	20-056
28	24-116-6	20-055
1.5"	25-112-5	25-002 or 25-041
1"	25-110-4	25-031, 25-034 or 25-036

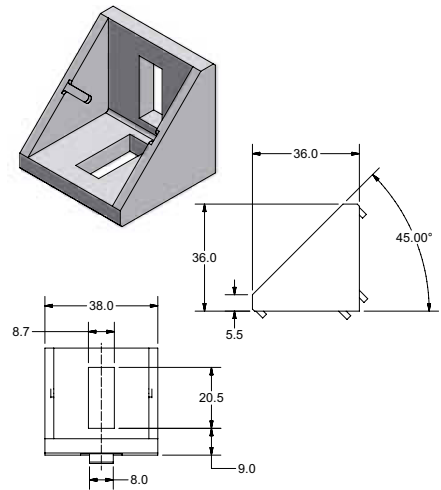
Ordering Information

Series	A	B	C	D	E	F	G	Weight	Part #
40	77	77	34	20	40	8	9	0.14 kg	20-102
	77	77	74	20	40	8	9	0.31 kg	20-103
30/28	77	77	25.4	20	40	8	7	0.11 kg	20-101
1.5"	3.03"	3.03"	1.25"	0.75"	1.50"	0.32"	0.34"	0.14 kg	20-440
	3.03"	3.03"	2.75"	0.75"	1.50"	0.32"	0.34"	0.31 kg	20-441
1"	3.03"	3.03"	0.875"	0.75"	1.50"	0.32"	0.28"	0.11 kg	20-442

* For Machining Tap use part number 19-010 for each profile end



Cast Gussets



20-4040

Application

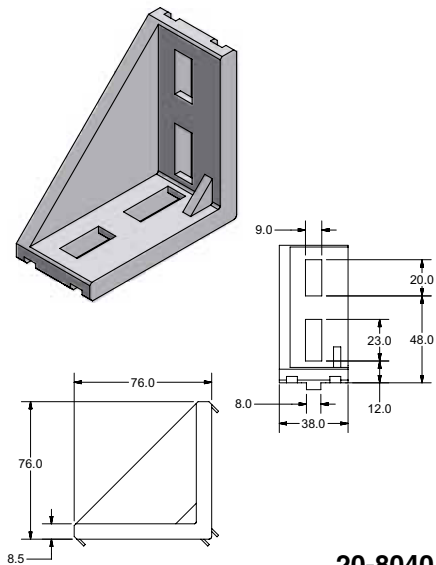
Provide a high strength right angle connection between two profiles. These gussets can only be used for right angle connections in-line with T-slots as shown. Cast tabs help align the gussets in the center of the profile.

Technical Data

Die Cast Aluminum

Recommended Fastening Hardware (Order Separately)

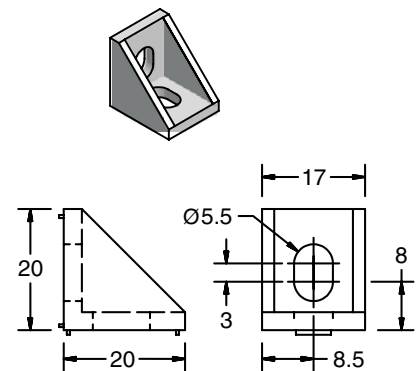
Series	Screws	T-Nuts
40	24-116-8	Any M8
20	25-106-4	25-031, 25-034 or 25-036
1.5"	25-112-5	25-002 or 25-041



20-8040

Ordering Information

Description	Unit	Weight	Part #
Gusset 40	Each	59 g	20-4040
Gusset 80x40	Each	136 g	20-8040
Gusset 20	Each	36 g	20-1010



20-1010

