

MPW Series

Smaller Size, Longer Life, Stainless Steel Servo Motor Solutions



Parker's powerful, yet compact stainless steel motor design enables smaller frame sizes to meet application needs. Extra sealing and venting also provides an easy way for the user to extend the life of the motor (up to 2X longer than other motors found in the market today).

Key MPW Features

1 IP69K Anti-Microbial Seal with Slinger

Prevents intrusion of high temperature solutions used for washdown up to pressures of 1200 psi.

2 Single Piece Front Flange

Front flange is single piece construction with main housing body. No seam that could allow intrusion of liquids.

3 Potted Stator

Stator is potted directly into the steel housing creating a very power dense solution.

Contact Information:

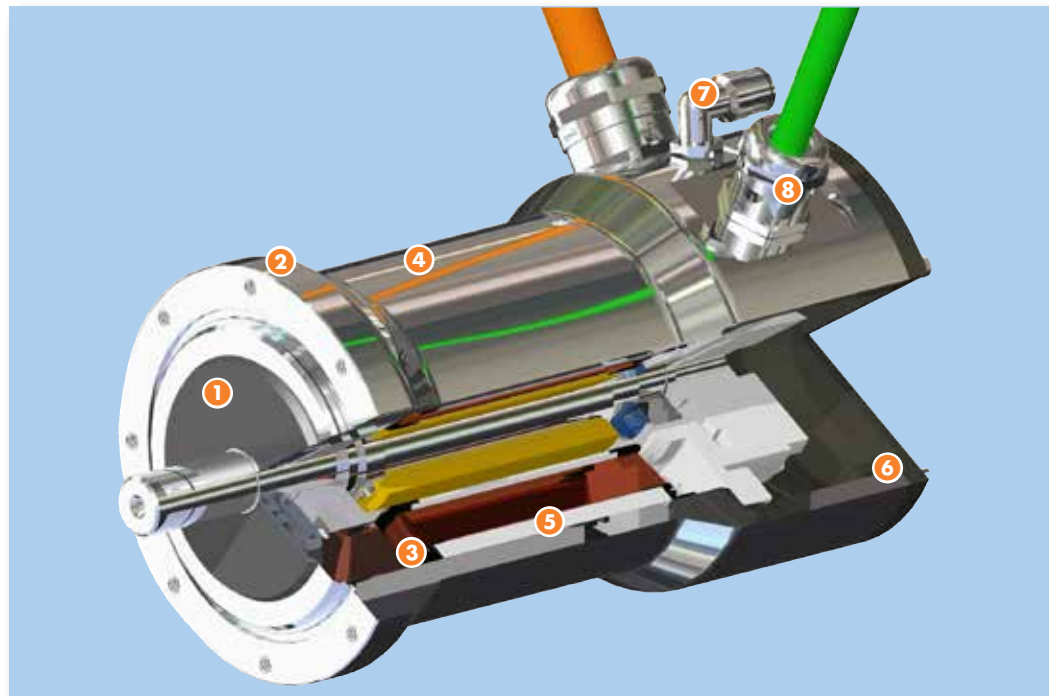
Parker Hannifin Corporation
Electromechanical Automation Division
5500 Business Park Drive
Rohnert Park, CA 94928

phone: 800.358.9068 / 707.584.7558

fax: 707.584.8015

email: emn_support@parker.com

www.parkermotion.com



4 300 Series Stainless Steel Housing

300 series material withstands the harshest washdown environments. Micro polished round housing allows for quick and easy cleaning.

5 Segmented Laminations

Creates a very high torque to inertia ratio which supports rapid rates of acceleration.

6 Double O-Ring Seal

Used to seal rear motor plate to main housing. Double the protection vs. the use of a single o-ring design.

7 Breather Vent

During washdown pressure differentiation can cause a vacuum effect that can suck moisture into the motor housing. Our breather vent allows the user to run a hose to a dry air location to prevent this common cause of failure.

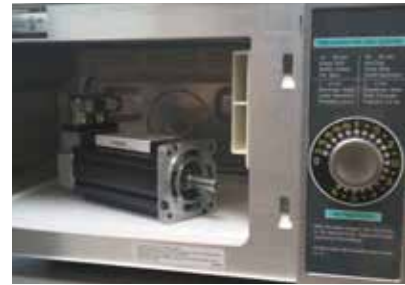
8 Cables

Cables run directly from the housing via IP69K sealed fittings. Cables are terminated with connectors to allow easy plug and play to the most popular Parker drives. Connector options are also available to plug and play with drive solutions offered by other manufacturers



ENGINEERING YOUR SUCCESS.

MPW Series Stainless Steel Servos



Parker stainless motors are designed to work with the most popular Parker Drives as well as other Drives that are offered in the market today. This photo shows how we have actively demonstrated this at recent trades shows such as the Packaging Expo. Parker offers a wide variety of cable options and motor files to support your integration needs. Additional information can be found on the MPW product page on parkermotion.com.

MPW motors were subjected to water intrusion tests as specified in DIN 40 050 part 9, section 7.4 at a level of protection of IP69K. Post-test inspection of the test units found no evidence of internal or external damage from water. Details of this test can be found on the MPW product page on parkermotion.com.

You'd never operate your motor in an oven would you? But, that's what you are doing with other "stainless" motors that simply insert an aluminum housed motor into a stainless "can".

Our MPW motor winding is potted directly into its 300 series stainless steel housing. This creates a motor with high power density achieving better performance in a smaller frame size.

Models				Stall Torque		Peak Torque	
	Rated Speed	kW	HP	Nm	in-lb	Nm	in-lb
230 VAC							
MPW0923D	4947	1.55	2.07	4.03	35.63	11.55	102.23
MPW1153C	4012	2.29	3.06	8.04	71.16	22.52	199.29
MPW1154B	3852	2.69	3.59	9.86	87.28	28.04	248.16
MPW1424C	3750	5.22	6.96	19.28	170.62	52.35	463.33
MPW1426B	3386	6.27	8.36	25.73	227.73	72.30	639.88
460 VAC							
MPW0923R	4947	1.55	2.07	4.02	35.59	11.54	102.13
MPW1153R	4012	2.29	3.06	8.03	71.08	22.50	199.11
MPW1154P	3839	2.69	3.59	9.85	87.18	28.01	247.92
MPW1424R	3779	5.21	6.95	19.26	170.42	52.31	462.97
MPW1426P	3371	6.26	8.35	25.70	227.47	72.25	639.38

