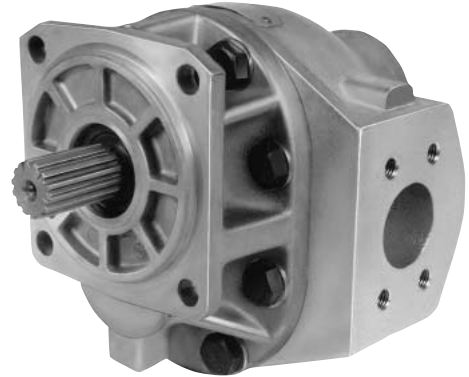


Specifications for M25 Series

M25 Features Include:

- Bearing Drain is standard and allows operation in series circuits
- Journal bearings for long life and good over-hung load capability
- Buna-N Seals are standards for petroleum and glycol based fluids “Viton®E” seals are optional.
- Pressure balanced plates for greater efficiency.



Description Gear Motors
 Flow Range To 166 GPM (628.3 LTR.)
 Displacements To 19.22 C.I.R. (314.96 CC's/REV.)
 Maximum Pressure to 2500 PSI (172 BAR)
 Maximum Speed to 2000 RPM
 Rotation Bi-Directional
 Bearings Journal
 Construction Aluminum

Performance Data

| MOTOR MODELS | DISPLACEMENT/REVOLUTION(THEORETICAL) | | | | | TORQUE PER 1000 PSID* | | | | POWER AT MAX. RPM/MAX.PSID* | | MAXIMUM LIMITS | | | | |
|--------------|--------------------------------------|--------------|--------|------------|------------------|-----------------------|------|--------|------|-----------------------------|-------|----------------|-----|------------|-----|------|
| | US GALLONS | CUBIC INCHES | LITERS | CUBIC CM'S | IMPERIAL GALLONS | START | | RUN | | H.P. | KW | RELIEF SETTING | | CONTINUOUS | | |
| | | | | | | LB.IN. | NM | LB.IN. | NM | | | PSI | BAR | PSI | BAR | RPM |
| M25550 | .0479 | 11.06 | .181 | 181.24 | .040 | 1400 | 1898 | 1600 | 2169 | 122 | 91.0 | 2500 | 172 | 1700 | 117 | 2000 |
| M25660 | .0581 | 13.42 | .220 | 219.91 | .048 | 1760 | 2386 | 1960 | 2657 | 146 | 109.0 | 2500 | 172 | 1700 | 117 | 2000 |
| M25770 | .0671 | 15.50 | .254 | 254.00 | .056 | 1820 | 2467 | 2200 | 1629 | 168 | 125.3 | 2500 | 172 | 1700 | 117 | 2000 |
| M25950 | .0832 | 19.22 | .315 | 314.96 | .069 | 2295 | 3111 | 2818 | 1873 | 187 | 139.4 | 2200 | 152 | 1700 | 117 | 2000 |

All data based on SAE 10W oil at 135°F. Available with Viton® .
 *Average values from performance curves. **At 2200 PSI.

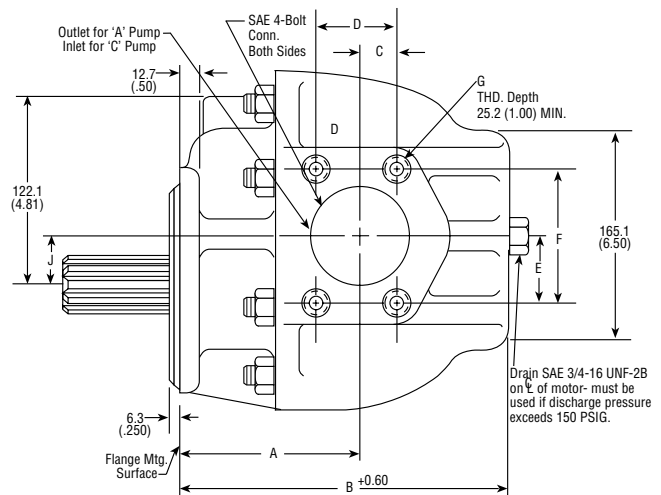
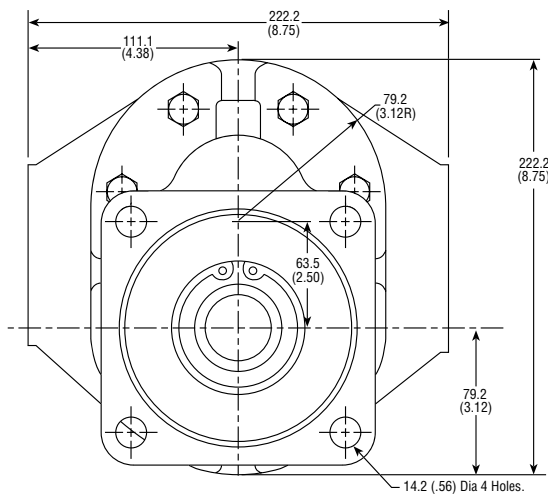


CAUTION: If return line pressure exceeds 150 PSIG, the external bearing drain must be used.

| MOUNTING DIMENSIONS | | | | | | |
|---------------------|--|--------------|-----------------------|--------|------------------|-------|
| Motor Model | For 'C' 2-Bolt & 'B' & 'C' 4-Bolt Flg. | | SAE 4-Bolt Conn. Port | | Shipping Weights | |
| | A | B | Inlet | Outlet | lbs. | kgs. |
| M20550 | 128.5 (5.06) | 223.7 (8.81) | 2" | 2" | 45 | 20.41 |
| M20660 | 134.8 (5.31) | 230.1 (9.06) | 2" | 2" | 46 | 20.87 |
| M20770 | 141.2 (5.56) | 236.4 (9.31) | 2" | 2" | 48 | 21.77 |
| M20950 | 157.7 (6.21) | 252.7 (9.95) | 2" | 2" | 49 | 22.23 |

| SAE 4-Bolt Connector Ports | | | | | |
|----------------------------|------------|--------------|-------------|--------------|----------|
| Size | C | D | E | F | G |
| 2" | 21.3 (.84) | 42.8 (1.688) | 38.8 (1.53) | 77.7 (3.062) | 1/2-13NC |

Inch equivalents for millimeter dimensions are shown in (**).



SAE 4-Bolt NPT Connectors are available. See Accessory Section