

IQAN-MD3

IQAN System Products



General

Weight	0.3 Kg
Operating temperature	-30 to +60 °C -25>LCD off >+75 °C
Protection	outdoor use
Voltage supply	11- 32 Vdc
Current consumption (idle)	130 mA (28 Vdc) 190 mA (14 Vdc)

Performance

Processor	32-bit (144 MHz)
Logging	80K records
Sample time	min 10ms
Software tools	IQANdesign family

Communication interfaces

CAN (ISO 11898) Protocols	2 ICP, SAE J1939, CANopen, etc
RS-232 Protocols	1 AT-Hayes,GSM07.07, GSM07.05, IDP
USB 2.0 (full speed)	1

Outputs

Digital output	1
Type	high side switch
Max load	200 mA

Inputs

Voltage inputs	7
Signal range	0 - 5 Vdc
Resolution	1.2 mV
Digital inputs	(7) ¹
Signal high	4 Vdc
Signal low	1 Vdc

1) The voltage and digital inputs share the same physical pins. The user defines the channels/pins with IQANdesign.

Application

The IQAN-MD3 is a master/display unit that works with a variety of expansion modules in the IQANdesign platform control system. The MD3 is fully programmable for use in any machine application, as a graphical user interface and as a CAN gateway.

The IQAN-MD3 is constructed to be weatherproof for outdoor use. The MD3 will display vehicle data and system information.

The IQAN-MD3 has a 3.5" transfective TFT color display. There are five navigation buttons and four 'soft' function buttons to make interaction with the control simple for the operator.

The unit is designed to be easily mounted in a vehicle dashboard or exterior control panel. The unit has two sealed and keyed Deutsch DTM 12 position connectors.

For time critical functions the MD3's sample rate can be set as low as 10 ms. The unit has a large internal memory for events and logging that is capable of storing 80,000 records.

The MD3 analog inputs accept 0-5V signals from input devices or sensors. These inputs can also be set up as on-off inputs. A digital output is available and may be used for alarm or alert signals.

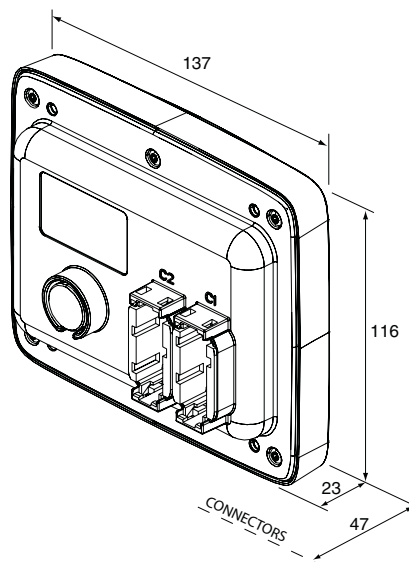
The MD3 is connected to other units by two CAN busses. All CAN busses may be configured as ICP (IQAN CAN Protocol), SAE J1939 or Generic CAN. The unit supports RS232 for modem (remote diagnostic) connection and USB for communication with a PC.

Description

IQAN-MD3

Ordering PN

20072409



units=mm