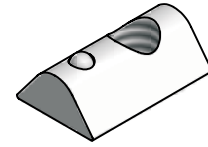


Standard T-nuts conveniently roll into profile T-slots at any location. The spring/ball locking feature keeps the T-nut in place in vertical applications.

## T-Nuts St



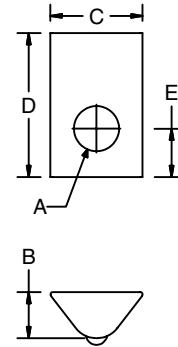
### Application

Standard mounting elements for profiles. The T-Nut can be inserted into profile T-Slots at any location to provide an instant threaded hole for mounting accessories or connectors.

### Technical Data

Steel, Black Zinc Plated or clear color varies.

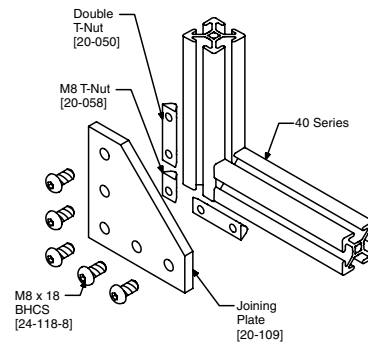
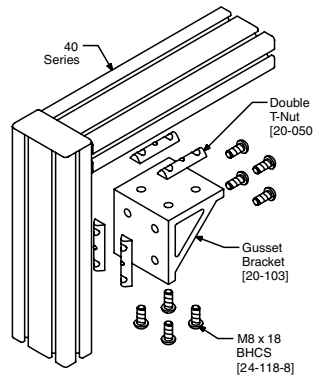
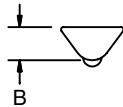
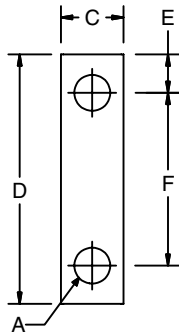
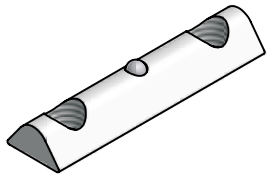
Parts designated with "SS" are stainless steel. Others may be available in stainless. Contact factory for availability.



### Ordering Information

Profile Series	Dimensions (mm)					Weight (g)	Color	Part #
	A	B	C	D	E			
40, 30, 1.5"	M4	7.3	13.8	23	7.5	11	C	20-051
	M5	7.3	13.8	23	7.5	11	C	20-052
	M6	7.3	13.8	23	5.5	11	C	20-056
	M6 SS	7.3	13.8	23	6.5	11	C	20-056SS
	M8	7.3	13.8	23	7.5	10	C	20-058
	M8 SS	7.3	13.8	23	6.5	11	C	20-058SS
	1/4-20	7.3	13.8	23	7.5	10	B	25-001
	5/16"-18	7.3	13.8	23	7.5	9	C	25-002
28	#10-32	7.3	13.8	23	7.5	10	C	25-009
	M6	6	13.8	23	7	10	C	20-055
	M8	6	13.8	23	7	10	C	20-057
	1/4-20	6	12.9	23	7	10	B	25-055
20	5/16-18	6	12.9	23	7	10	B	25-057
	M4	4	8	23	4	1	C	20-044
1"	M5	4	8	11.5	4	1	C	20-045
	#10-32	0.200"	0.400"	0.625"	0.210"	0.21"	B	25-030
	1/4-20	0.200"	0.400"	0.625"	0.210"	0.21"	B	25-031

## Double St



### Application

Standard mounting element where fastening hardware requires two T-Nuts.

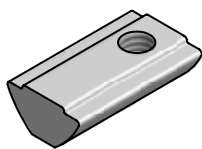
### Technical Data

Metric T-Nuts: Steel, Clear Zinc Plated  
Imperial T-Nuts: Steel, Black Zinc Plated

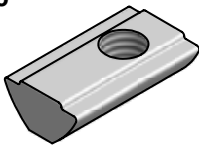
### Ordering Information

Profile Series	Dimensions						Weight (g)	Part #
	A	B	C	D	E	F		
40, 30,	M8	7.3	13.8	38	7	24	15	20-049
1.5"	M8	7.3	13.8	55	7.5	40	23	20-050
	5/16-18	0.287"	0.543"	2.165"	0.333"	1.50"	23	25-041

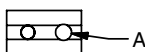
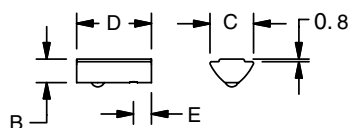
## Self Aligning T-Nut



20-066



20-068



### Application

Rolls into the T-Slot of 40 and 1.5" Series profiles at any location and held into position using a spring-loaded ball. The raised area fits into the T-Slot to prevent twisting. Should not be used where the raised area might interfere with other accessories such as tabs on universal fasteners, hinges, etc.

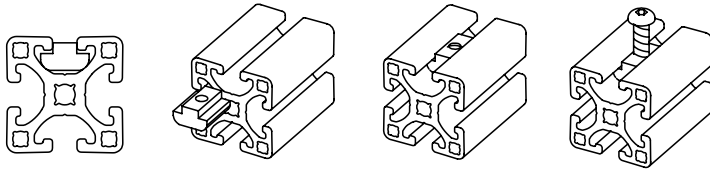
### Technical Data

Steel, Zinc Plated  
Fits 30 and 28 Series profiles but must be inserted from profile end.

### Ordering Information

Profile Series	Dimensions (mm)					Weight (g)	Part #
	A	B	C	D	E		
40, 30*	M5	6.4	13.5	22	64	10	20-065
28* &	M6	6.4	13.5	22	6.4	10	20-066
1.5"	M8	6.4	13.5	22	6.4	10	20-068

\*Fits 30 and 28 Series profiles but must be inserted from profile end.



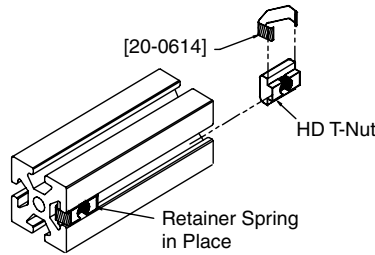
Heavy duty T-nuts must be inserted from the ends and slid to the desired location.

**Application**

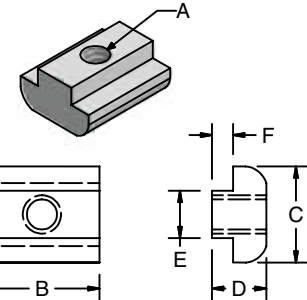
Heavy duty T-Slot Nut for 40 and 1.5" Series profiles. Recommended for mounting Roller Bearing Units.

**Technical Data**

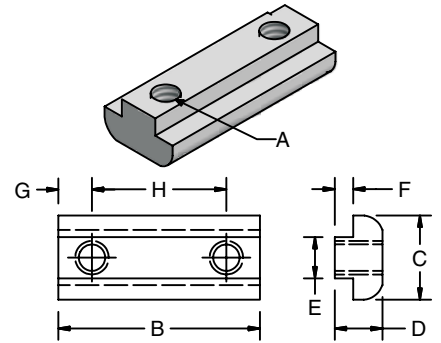
Steel Zinc Plated



**Single & Double HD**



Single



Double

**Ordering Information**

Style	Dimensions								Wt. (g)	Part #
	A	B	C	D	E	F	G	H		
Single	M5	22	16	8.8	7.9	3.5	—	—	13	20-067
	M6	20	16	8.8	7.9	3.5	—	—	13	20-060
	M8	20	16	8.8	7.9	3.5	—	—	13	20-064
	1/4-20	0.75"	0.63"	0.35"	0.31"	0.14"	—	—	14	25-050
	5/16-18	0.75"	0.63"	0.35"	0.31"	0.14"	—	—	13	25-051
Retainer Spring for HD Single T-Slot Nuts										20-0614
Double	M8	38	16	8.8	7.9	3.5	6	24	25	20-063
	1/4-20	1.50"	0.63"	0.35"	0.31"	0.14"	0.25"	1.00"	28	25-052
	5/16-18	2.00"	0.63"	0.35"	0.31"	0.14"	0.25"	1.50"	32	25-053

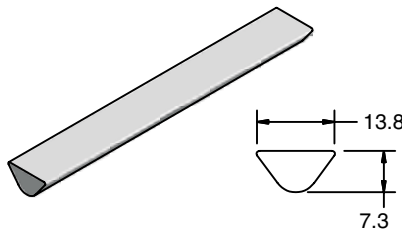
**Application**

Bar stock for custom length T-Nuts. Can be cut to length and tapped. Sold Each Length 500mm.

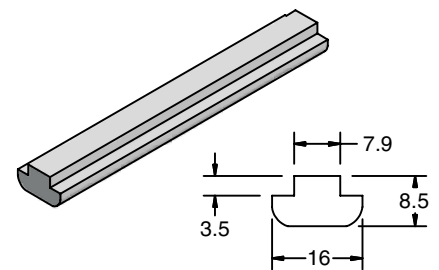
**Technical Data**

20-059 & 20-062

Steel - Max. tap hole: M8 (5/16")



20-059



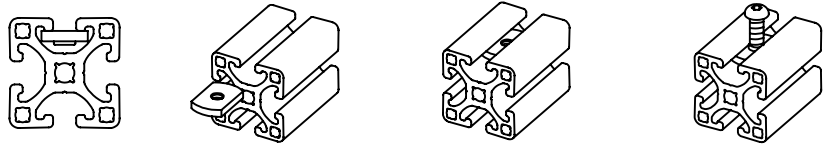
20-062

**Ordering Information**

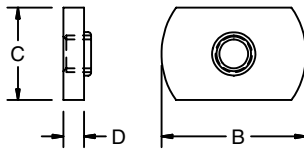
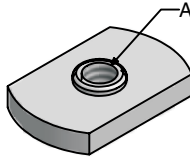
Series	Description	Unit	Weight	Part #
40, 30 and 1.5"	T-Slot Bar HD	Each	0.42 kg	20-062
	T-Slot Bar St	Each	0.26 kg	20-059



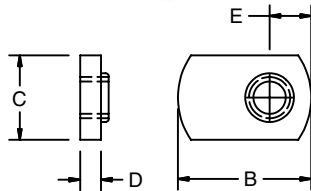
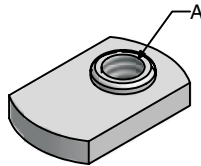
# Economy



Economy T-nuts must be inserted from the ends of the profiles and slid to the desired location. A compression spring can be added to help keep the T-nut in location.



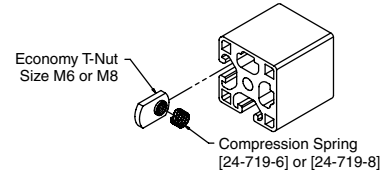
Standard



Offset

## Application

Economical solution for fastening hardware or components to T-Slots. Economy T-Nuts slide into profile from the end to provide threaded hole for fastening. Available in standard or offset versions.



## Technical Data

Metric T-Nuts: Steel, Clear Zinc Plated  
Imperial T-Nuts: Steel, Black Zinc Plated  
Parts designated with "SS" are stainless steel.

## Ordering Information

	Profile Series	Dimensions (mm or inch)					Weight (g)	Part #
		A	B	C	D	E		
Standard	40, 1.5"	M6	25	16	3.6	-	10	20-080
		M8	25	16	3.6	-	10	20-081
		#10-32	22.5	11	2.4	-	5	20-088
		1/4-20	25	16	3.6	-	10	20-083
		5/16-18	25	16	3.6	-	10	20-082
	30, 28	M6	20.5	13	3.2	-	5	20-090
		M6	20.5	13	3.2	-	5	20-090SS
		M8	20.5	13	3.2	-	5	20-091
		1/4-20	20.5	13	3.2	-	5	20-093
		5/16-18	20.5	13	3.2	-	5	20-092
	20	#10-24	16	9.6	2.4	-	5	20-086
		M5	16	9.6	2.4	-	5	20-085
	1"	#10-32	0.885"	0.440"	0.09"	-	5	20-088
		1/4-20	1.00"	0.440"	0.09"	-	5	20-034
Offset	40, 1.5"	M8	25	16	3.6	7.1	10	20-181
		#8-32	16	11	2.4	4.8	5	25-045
		1/4-20	20.5	13	3.2	6.4	5	20-193
		5/16-18	25	16	3.6	7.1	10	20-182
	30, 28	M6	20.5	13	3.2	6.4	5	20-190
		1/4-20	20.5	13	3.2	6.4	5	20-193
	1"	#8-32	0.885"	0.440"	0.09"	0.19"	5	25-045

### Description

Compression Spring for Economy T-Slot Nuts M6  
Compression Spring for Economy T-Slot Nuts M8

### Weight

4 g  
4 g

### Part #

24-719-6\*  
24-719-8\*

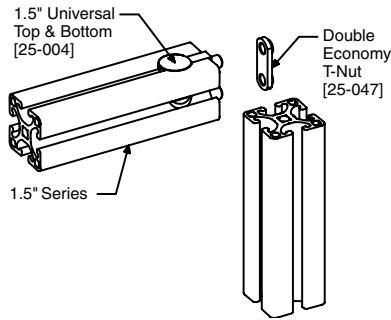
\*Minimum order quantity = 100 pieces

**Application**

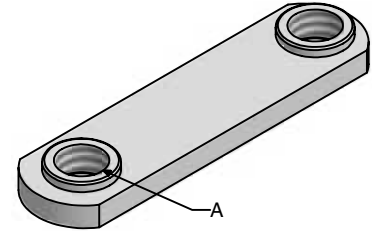
Double Economy T-Nuts are an economical solution for fastening accessories, double universal fasteners and the primary T-Nut to a cross connection.

**Technical Data**

Steel, Black Zinc Plated

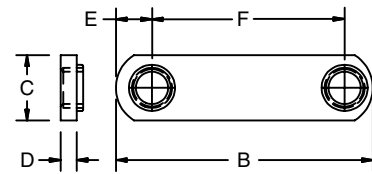


**Double Economy**



**Ordering Information**

Profile Series	Dimensions						Weight	Part #
	A	B	C	D	E	F		
40, 1.5"	5/16-18	2.00"	0.51"	0.12"	0.22"	0.50"	20g	25-046
		1.38"	0.51"	0.12"	0.25"	0.88"	13 g	25-047
	1/4-20	1.50"	0.51"	0.12"	0.25"	1.00"	15g	25-048



25-046  
 25-047  
 25-048

**Application**

Universal mounting element that wedges into the profile when tightened. Can be inserted into the T-Slot at any position.

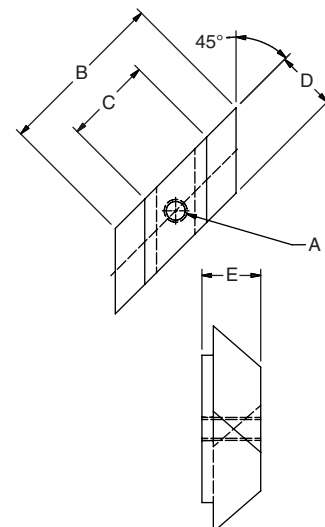
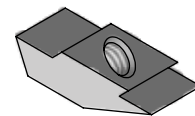
**Technical Data**

Zn Cast, Galvanized

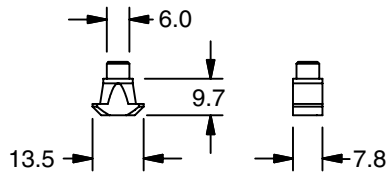
**Ordering Information**

Profile Series	Dimensions (mm)					Weight (g)	Part #
	A	B	C	D	E		
40/1.5"	M3	22	11	8	7.7	5	20-033
	M4	22	11	8	7.7	5	20-034
	M5	22	11	8	7.7	5	20-035
30, 28	M3	22	11	8	6	5	20-036
	M4	22	11	8	6	5	20-037
	M5	22	11	8	6	5	20-038

**T-Nut Zn**



## Anodize Breaker



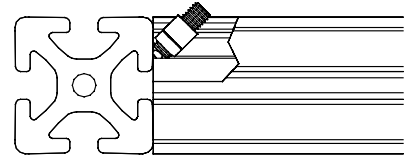
20-070

### Application

Penetrates anodizing and provides ground continuity between 40, 30 and 1.5" Series profiles.

### Technical Data

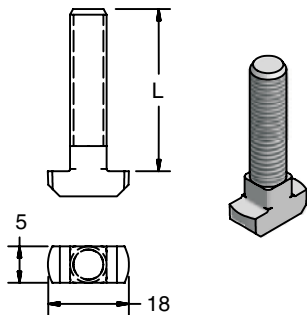
Steel, Galvanized  
Dog point M6x12 set screw.



### Ordering Information

Description	Unit	Weight	Part #
Anodize Breaker	Each	10 g	20-070

## T-Bolt 40



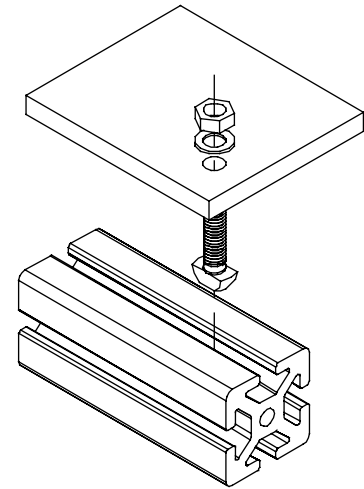
24-420-8  
24-425-8  
24-430-8  
24-440-8

### Application

Threaded stud with T-Slot head for insertion into T-Slot of 40 and 1.5" Series profiles. These will only fit in the standard profile.

### Technical Data

Steel, Zinc Plated



### Ordering Information

Description (Thread x L)	Unit	Weight	Part #
T-Bolt 40, M8x20	Each	1 g	24-420-8
T-Bolt 40, M8x25	Each	1 g	24-425-8
T-Bolt 40, M8x30	Each	2 g	24-430-8
T-Bolt 40, M8x40	Each	2 g	24-440-8