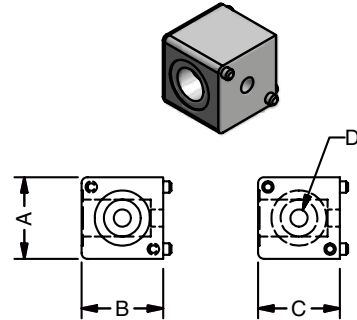
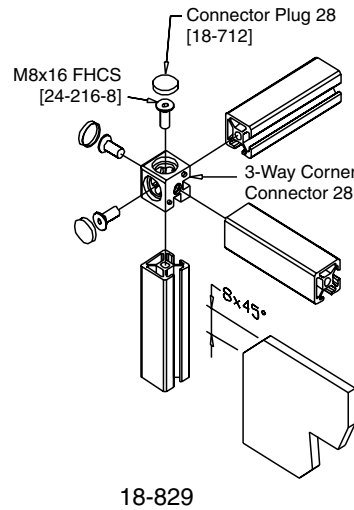
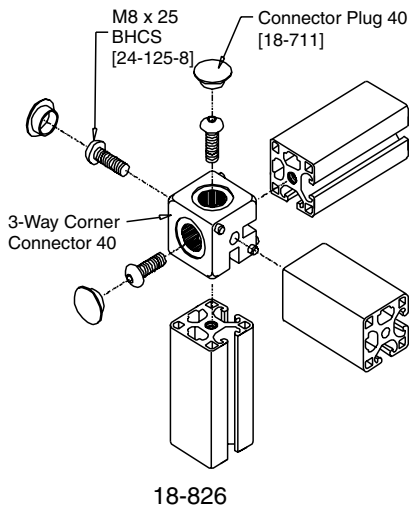


Corner Connector



18-826
 18-852
 18-872
 18-892
 18-902

Application

Corner connectors are ideal for use with closed face profiles. Suitable for clean room environments, they include access plugs to cover hardware.

Order all hardware separately

Series	2-Way	3-Way
40	(2) 24-125-8	(3) 24-125-8
30	(2) 24-216-8	(3) 24-216-8
28	—	(3) 24-216-8
20	(2) 24-112-5	(3) 24-112-5
1.5"	(2) 25-116-5	(3) 25-116-5
1"	(2) 25-112-4	(3) 25-112-4

Technical Data

40 Series

Block: Die-cast Aluminum, Silver Paint
 Plug: Nylon

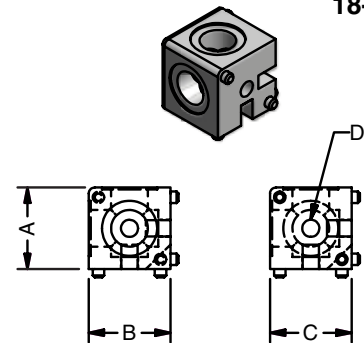
28 Series

Block: Aluminum, Black Anodized
 Plug: Acetal (Delrin)

20, 1" and 1.5" Series

Block: Die-cast aluminum, Silver Paint
 Plug: Nylon

Profile ends must be tapped for screws.
 Hardware not included.



18-827
 18-829
 18-853
 18-873
 18-893
 18-903

Ordering Information

Series	Description	A	B	C	D	Unit	Weight	Part #
40	2-Way	40	40	40	M8 BHCS	Set	26 g	18-826
	3-Way	40	40	40	M8 BHCS	Set	26 g	18-827
30	2-Way	30	30	30	M8 FHCS	Set	47 g	18-902
	3-Way	30	30	30	M8 FHCS	Set	47 g	18-903
28	3-Way	28	28	28	M8 FHCS	Set	25 g	18-829
	Access Plug	—	—	—	—	Each	1 g	18-712
20	2-Way	20	20	20	M5 BHCS	Set	13 g	18-852
	3-Way	20	20	20	M5 BHCS	Set	10 g	18-853
1.5"	2-Way	1.5"	1.5"	1.5"	5/16-18 BHCS	Set	105 g	18-892
	3-Way	1.5"	1.5"	1.5"	5/16-18 BHCS	Set	91 g	18-893
1"	2-Way	1"	1"	1"	1/4-20 BHCS	Set	30 g	18-872
	3-Way	1"	1"	1"	1/4-20 BHCS	Set	26 g	18-873

* For Machining Tap use part number 19-010 for each profile end.

