

Reservoir Accessories

Metal Breathers

Threaded Type

Specifications:

Materials:

Cap & Plate: Nickel chrome plated steel

Valve: Nylon/Nitrile

Gasket: Cork

Filtration Element: Expanded polyurethane foam, 10 micron

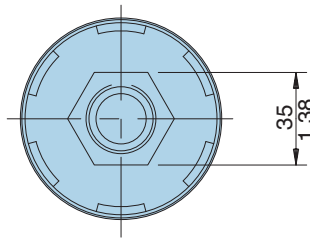
Operating Temperatures: -22°F (-30°C) to 195°F (90°C)

Seals: Nitrile

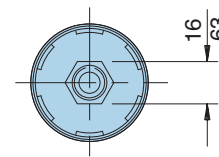
Pressurization Options: none, 5 psi (0.35 bar)



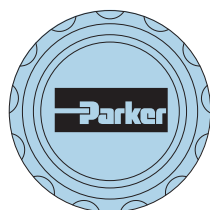
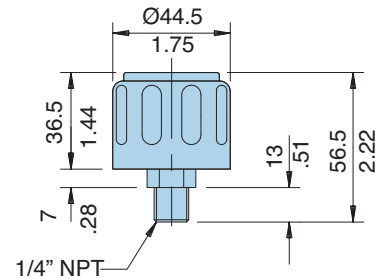
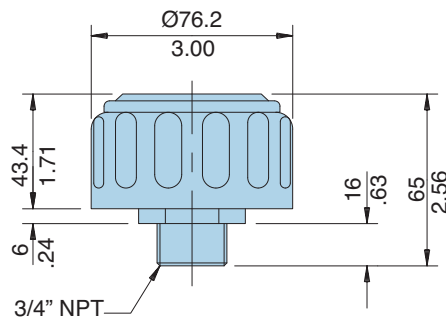
3/4" Threaded



1/4" Threaded



Linear Measurement = $\frac{\text{mm}}{\text{in}}$



Drawings are for reference only.
Contact factory for current version.

Threaded, Non-pressurized

| New Part Number | Obs. Part Number | Micron Rating | Air Flow | Thread | Description |
|-----------------|------------------|---------------|-----------------------------|----------|--------------------------|
| SAB.1562.10.NPT | MB1.B1A3A1P | 10 | 1.3 gallon/sec. (5 l/sec.) | 3/4" NPT | 3" (76 mm) diameter |
| SAB.1563.10.NPT | MB1.C1A3A1P | 10 | .7 gallon/sec. (2.5 l/sec.) | 1/4" NPT | 1.75" (44.5 mm) diameter |