

Oildyne

Miniature Piston Pumps 5 Piston Design

*Pressures to 276 bar (4000 psi)
Displacements from .156cc/rev
to .865cc/rev (.01 to .05 in³/rev)*



Pumping Efficiencies to 90% Allow You to Effectively Use .156 to .865 cc Flow Per Rev. at Pressures to 276 bar (4000 psi)

Once in a great while there's a breakthrough design whose versatility opens broad new opportunities. Oildyne's mini pumps are a prime example.

Mini pumps pump or meter hydraulic oil, brake fluid, and Mil 5606 with equal ease. Need greater versatility?

These fixed displacement axial piston pumps are efficient and powerful too. Tests run on 78 SUS viscosity fluid at 100°F @ 3000 psi showed 90 percent volumetric

efficiency. Capable of 276 bar (4000 psi) operation, mini pumps are available in nine model sizes from .156 to .865 cc per revolution displacement.

Compact size, versatility, efficiency, power and speed are quietly combined in a very cost competitive package in Oildyne's mini pumps. They're suitable for most applications requiring compact power including automotive, marine, medical and military uses.

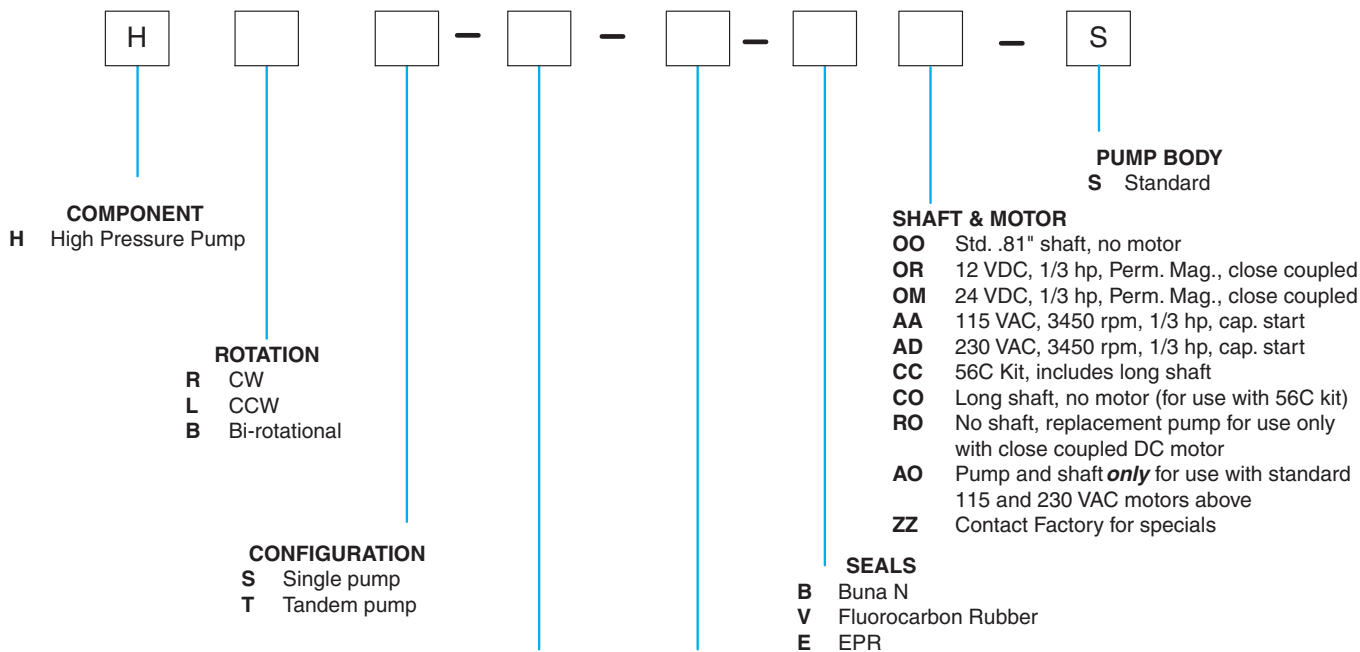
Mini Pump Features

- .156 to .865 cc displacement per revolution.
- Designed for open circuit systems
- Fixed displacement - Output is controlled by motor speed
- Operating temperature range -40°C to +149°C (-40°F to +300°F).
- Naturally aspirated to 5000 rpm and above depending upon viscosity
- Porting on sides or rear
- Will operate efficiently on extremely thin (1 cS) fluid
- Multiple pumps, special configurations and bi-directional pumps are available on special order.

General Specifications

Model	156	206	259	311	346	417	519	692	865
Displacement In ³ per rev.	.0095	.0126	.0158	.0190	.0211	.0255	.0317	.0422	.0527
cc /rev	.156	.206	.259	.311	.346	.417	.519	.692	.865
GPM @ 3000 RPM	.123	.163	.205	.247	.274	.330	.411	.548	.685
cc/min @ 3000 RPM	467	618	778	934	1038	1252	1557	2076	2590
Max RPM @ rated pressure W/O supercharge	4400	4200	4000	3800	3800	3700	3700	3600	3500
Operating Pressure (psi)									
Continuous	3500	3500	3500	3500	3500	3500	3500	3250	3000
Intermittent	3750	3750	3750	3750	3750	3750	3750	3500	3500
Maximum	4000	4000	4000	4000	4000	4000	4000	3750	3500

Standard Product Ordering Code



SINGLE or 1st PUMP SIZE		2nd PUMP SIZE	
CODE	DISP.	CODE	DISP.
156	.156 cc/rev	000	Single pump
206	.206 cc/rev	156	.156 cc/rev
259	.259 cc/rev	206	.206 cc/rev
311	.311 cc/rev	259	.259 cc/rev
346	.346 cc/rev	311	.311 cc/rev
417	.417 cc/rev	346	.346 cc/rev
519	.519 cc/rev	417	.417 cc/rev
692	.692 cc/rev	519	.519 cc/rev
865	.865 cc/rev	692	.692 cc/rev
		865	.865 cc/rev

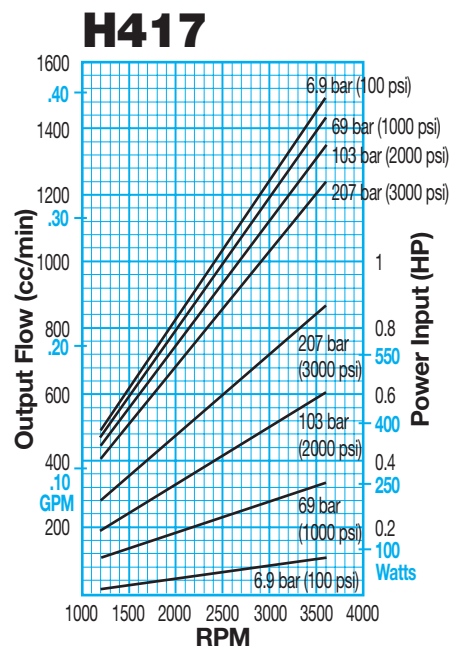
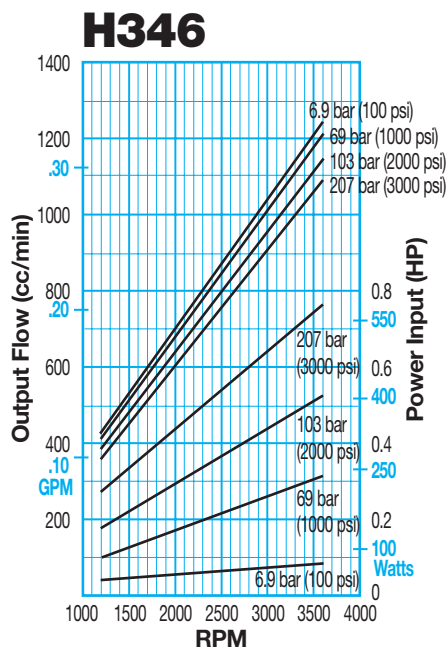
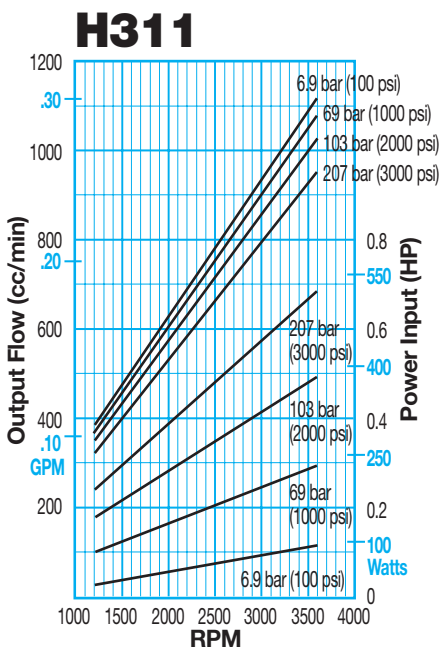
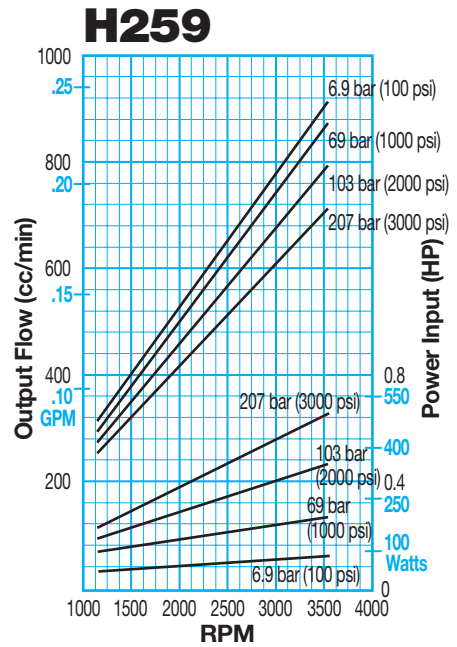
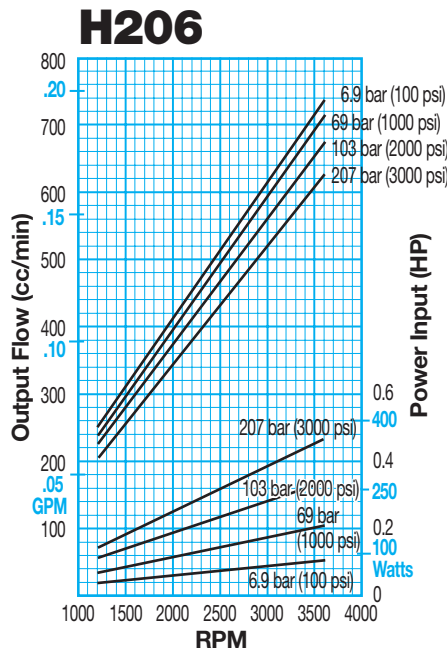
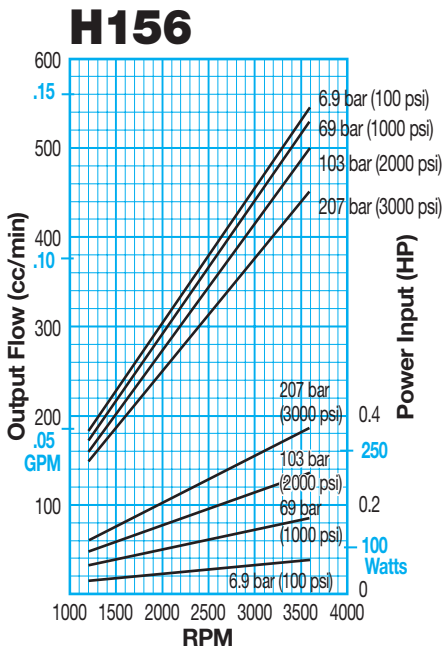
NOTES:

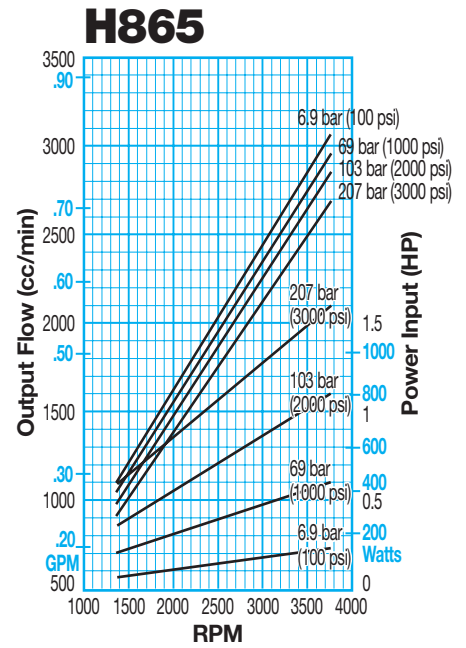
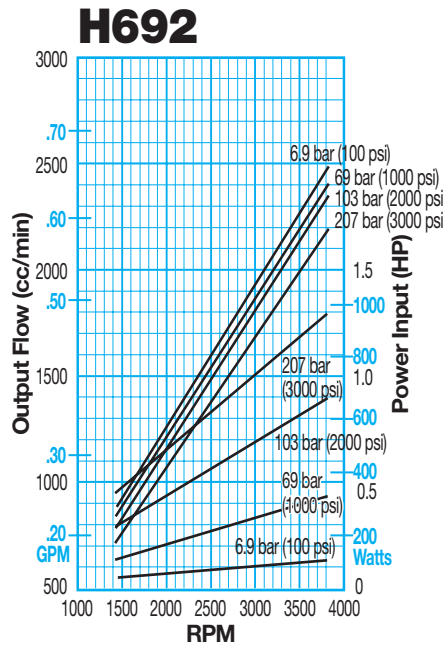
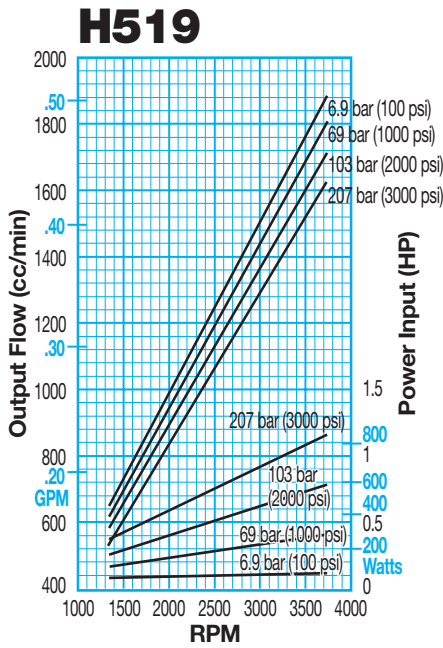
1. Tandem pumps must have larger displacement called out first
2. Tandem pumps are not available with the standard AC or DC motors - only plain shaft or 56C Kit
3. Drive shaft input torque must be under 3.5 n-m (525 in-oz) [equivalent to HRS865 operating at 207 bar (3000 psi); refer to catalog performance curves for torque data]
4. Bi-rotational pumps require the side port as case drain
5. For configurations not shown above please contact Oildyne

Performance Data

Performance data shown are the average results based upon a series of laboratory tests of production units and are not necessarily representative of any one unit. Tests were run with oil at 78 SUS at 38°C (100°F).

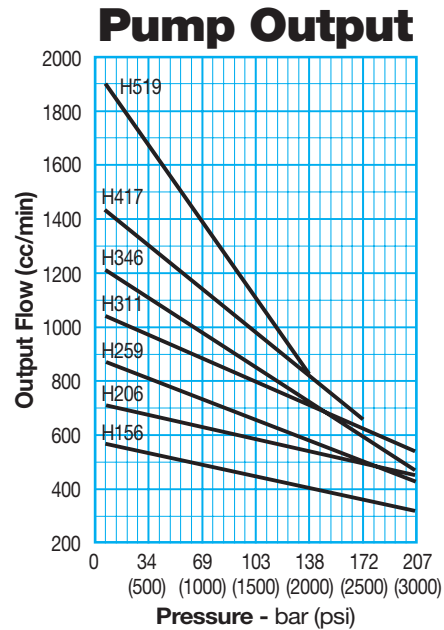
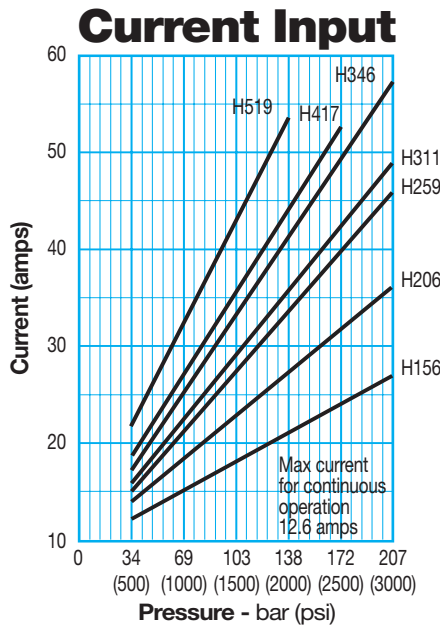
In accordance with our policy of continuing product development, we reserve the right to change specifications shown without notice.





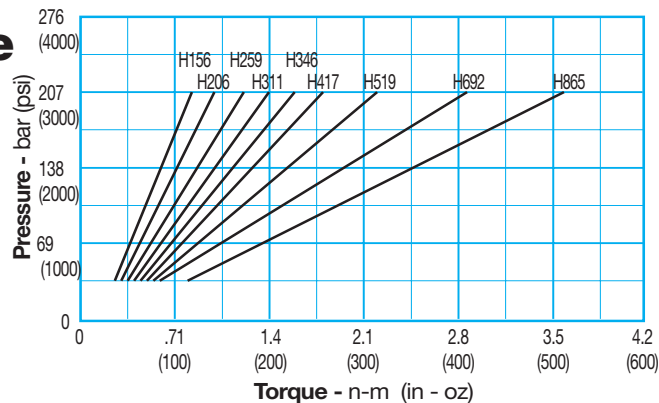
Typical Performance Data

at 12 VDC as assembled with a standard DC motor

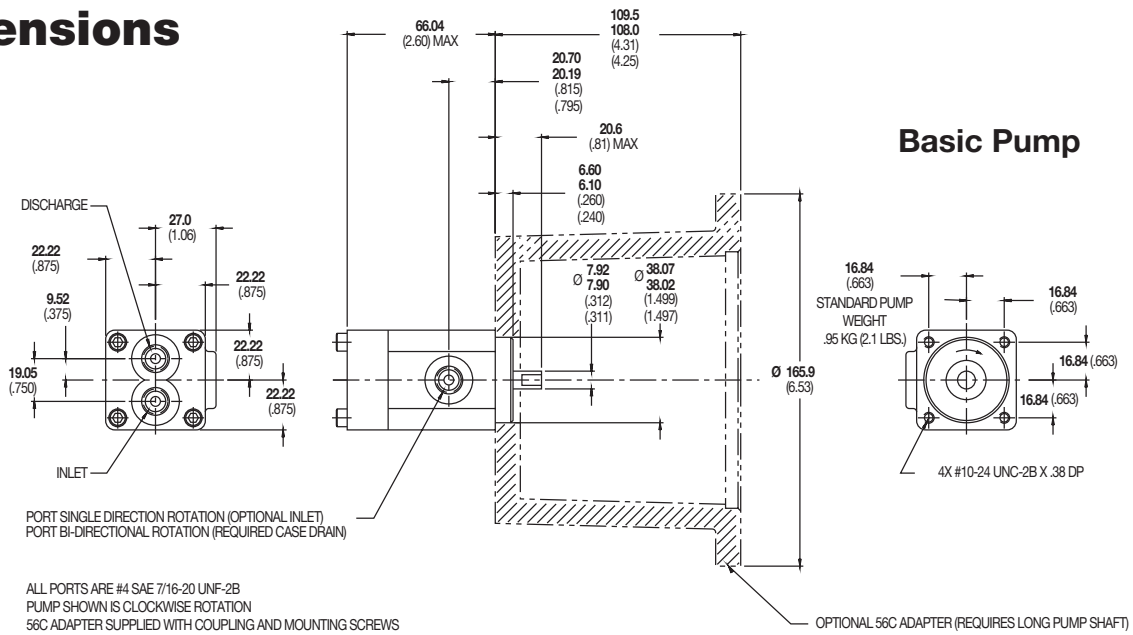


Average Input Torque

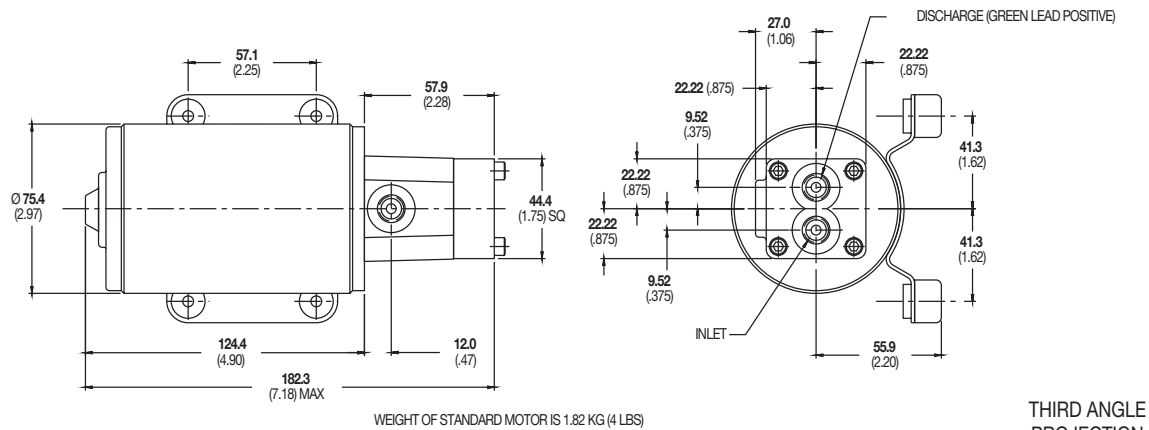
Speed: 3000 RPM



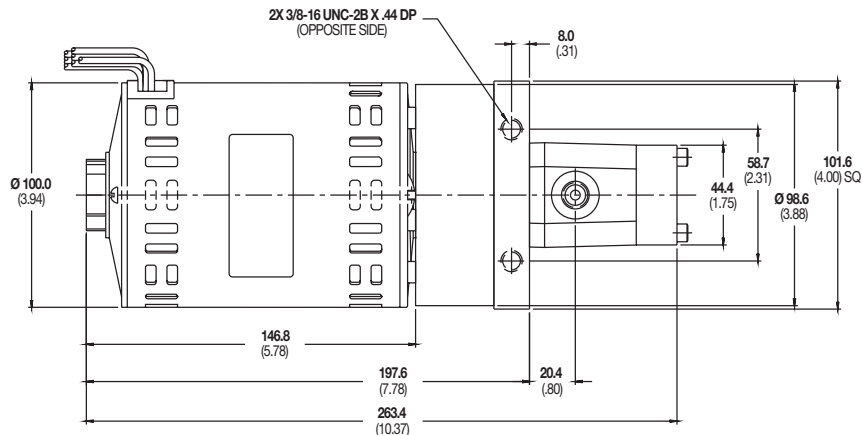
Dimensions



Standard 1/3 HP DC Permanent Magnet Motor With Pump



Standard 1/3 HP AC Motor With Pump



Note: All dimensions in mm (inches).