

**Specifications
 for HP8-THP8 Series**

Description Gear Pumps
 Flow Range To 177 GPM Per Section (670.0 LTR.)
 Displacements To 16.38 C.I.R. Per Section (268.42 CC's/REV.)
 Maximum Pressure to 4000 PSI (276 BAR)
 Maximum Speed to 2500 RPM
 Rotation A or C
 Bearings Journal
 Construction Aluminum



Performance Data Per Section

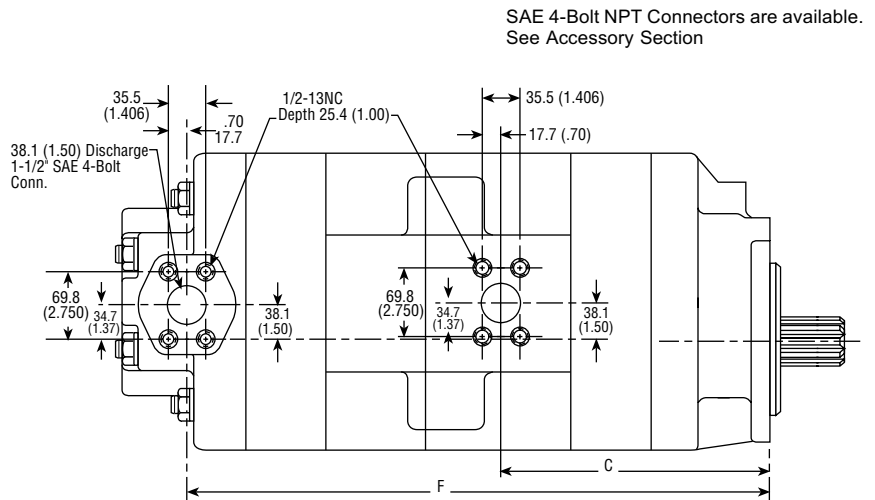
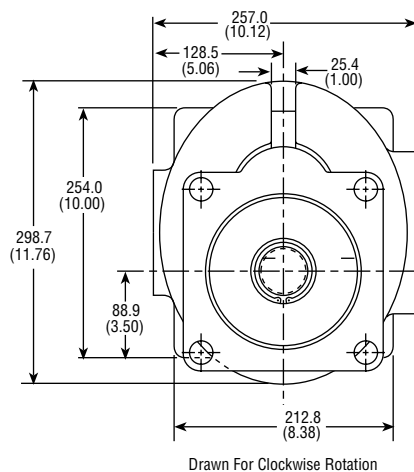
Pump Model	Section Size	Displacement/Revolution (Theoretical)					Maximum Pressure		Maximum Speed* RPM
		US Gallons	Cubic Inches	Liters	Cubic Centimeters	Imperial Gallons	PSI	BAR	
HP8	400	.0339	7.83	.1283	128.311	.028	4000	276	2500
HP8	450	.0379	8.75	.1434	143.387	.032	4000	276	2500
HP8	500	.0422	9.75	.1598	159.774	.035	4000	276	2500
HP8	550	.0465	10.74	.1760	175.997	.039	4000	276	2500
HP8	600	.0510	11.78	.1930	193.040	.042	4000	276	2500
HP8	660	.0565	13.05	.2138	213.852	.047	3600	248	2500
HP8	770	.0650	15.01	.2460	245.970	.054	3300	228	2500
HP8	850	.0709	16.38	.2683	268.421	.059	3000	207	2500

All data based on SAE 10W oil at 150°F. Available with Viton® seals.
 Note: Pressurized suction required: Speeds to 2000 RPM require 0 PSI minimum.
 *Speeds above 2000 RPM require the suction to be pressurized to 5 PSI minimum.

CAUTION: "Inlet vacuum" should not exceed 5" Hg at normal operating speed and temperature. Operation of pumps in excess of 5" Hg requires factory approval.

Dimensional Data

Inch equivalents for millimeter dimensions are shown in (**).

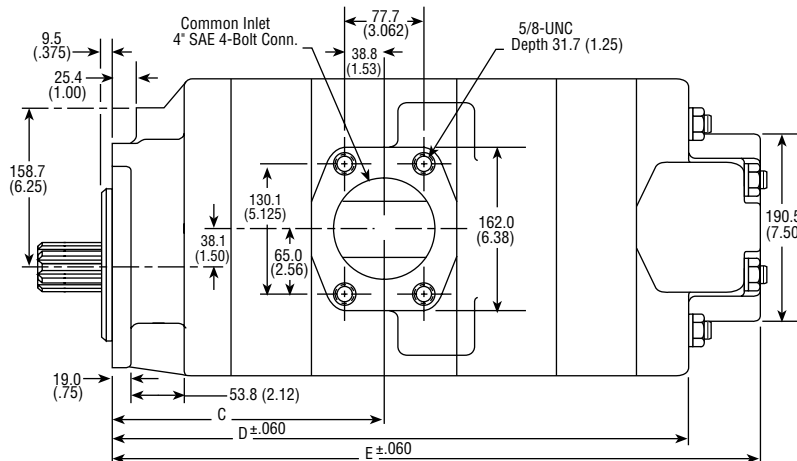


SAE 4-Bolt NPT Connectors are available. See Accessory Section

Dimensional Data

SAE 4-Bolt Connector Ports				
Combinations Avail.	C	D	E	F
THP8-400 - 400 A & C	250.6 (9.87)	532.8 (20.98)	606.0 (23.86)	544.0 (21.42)
THP8-450 - 400 A & C	254.7 (10.03)	536.9 (21.14)	610.1 (24.02)	548.1 (21.58)
THP8-450 - 450 A & C	254.7 (10.03)	541.0 (21.30)	614.1 (24.18)	552.1 (21.74)
THP8-500 - 400 A & C	259.9 (10.20)	541.2 (21.31)	614.4 (24.19)	552.4 (21.75)
THP8-500 - 450 A & C	259.9 (10.20)	545.3 (21.47)	618.4 (24.35)	556.5 (21.91)
THP8-500 - 500 A & C	259.9 (10.20)	549.6 (21.64)	622.8 (24.52)	560.8 (22.08)
THP8-550 - 400 A & C	263.3 (10.37)	545.5 (21.48)	618.7 (24.36)	556.7 (21.92)
THP8-550 - 450 A & C	263.3 (10.37)	549.6 (21.64)	622.8 (24.52)	560.8 (22.08)
THP8-550 - 500 A & C	263.3 (10.37)	553.9 (21.81)	627.1 (24.69)	565.1 (22.25)
THP8-550 - 550 A & C	263.3 (10.37)	558.2 (21.98)	631.4 (24.86)	569.4 (22.42)
THP8-600 - 400 A & C	267.9 (10.55)	550.1 (21.66)	623.3 (24.54)	561.3 (22.10)
THP8-600 - 450 A & C	267.9 (10.55)	554.2 (21.82)	627.3 (24.70)	565.4 (22.26)
THP8-600 - 500 A & C	267.9 (10.55)	558.5 (21.99)	631.6 (24.87)	569.7 (22.43)
THP8-600 - 550 A & C	267.9 (10.55)	562.8 (22.16)	636.0 (25.04)	574.0 (22.60)
THP8-600 - 600 A & C	267.9 (10.55)	567.4 (22.34)	649.5 (25.22)	578.6 (22.78)
THP8-660 - 400 A & C	273.5 (10.77)	555.7 (21.88)	628.9 (24.76)	566.9 (22.32)
THP8-660 - 450 A & C	273.5 (10.77)	559.8 (22.04)	632.9 (24.92)	570.9 (22.48)
THP8-660 - 500 A & C	273.5 (10.77)	564.1 (22.21)	637.2 (25.09)	575.3 (22.65)
THP8-660 - 550 A & C	273.5 (10.77)	568.4 (22.38)	641.6 (25.26)	579.6 (22.82)
THP8-660 - 600 A & C	273.5 (10.77)	573.0 (22.56)	646.1 (25.44)	584.2 (23.00)
THP8-660 - 660 A & C	273.5 (10.77)	578.6 (22.78)	651.7 (25.66)	589.7 (23.22)
THP8-770 - 400 A & C	282.4 (11.12)	564.6 (22.23)	637.7 (25.11)	575.8 (22.67)
THP8-770 - 450 A & C	282.4 (11.12)	568.7 (22.39)	641.8 (25.27)	579.8 (22.83)
THP8-770 - 500 A & C	282.4 (11.12)	573.0 (22.56)	646.1 (25.44)	584.2 (23.00)
THP8-770 - 550 A & C	282.4 (11.12)	577.3 (22.73)	650.4 (25.61)	588.5 (23.17)
THP8-770 - 600 A & C	282.4 (11.12)	581.9 (22.91)	655.0 (25.79)	593.0 (23.35)
THP8-770 - 660 A & C	282.4 (11.12)	587.5 (23.13)	660.6 (26.01)	598.6 (23.57)
THP8-770 - 770 A & C	282.4 (11.12)	596.3 (23.48)	669.5 (26.36)	607.5 (23.92)
THP8-850 - 400 A & C	288.5 (11.36)	570.7 (22.47)	643.8 (25.35)	581.9 (22.91)
THP8-850 - 450 A & C	288.5 (11.36)	574.8 (22.63)	647.9 (25.51)	585.9 (23.07)
THP8-850 - 500 A & C	288.5 (11.36)	579.1 (22.80)	652.2 (25.68)	590.2 (23.24)
THP8-850 - 550 A & C	288.5 (11.36)	583.4 (22.97)	656.5 (25.85)	594.6 (23.41)
THP8-850 - 600 A & C	288.5 (11.36)	588.0 (23.15)	661.1 (26.03)	599.1 (23.59)
THP8-850 - 660 A & C	288.5 (11.36)	593.5 (23.37)	666.7 (26.25)	604.7 (23.81)
THP8-850 - 770 A & C	288.5 (11.36)	602.4 (23.72)	675.6 (26.60)	613.6 (24.16)
THP8-850 - 850 A & C	288.5 (11.36)	608.5 (23.96)	681.7 (26.84)	619.7 (24.40)

Drawn For Clockwise Rotation



Inch equivalents for millimeter dimensions are shown in (**).

SAE 4-Bolt NPT Connectors are available. See Accessory Section

Dimensional Data

SAE 4-Bolt Connector Ports		
Combinations Avail.	A	B
HP8-400	239.52 (9.43)	301.5 (11.87)
HP8-450	243.59 (9.59)	305.56 (12.03)
HP8-500	247.9 (9.76)	309.88 (12.20)
HP8-550	252.22 (9.93)	314.20 (12.37)
HP8-600	256.79 (10.11)	318.77 (12.55)
HP8-660	262.38 (10.33)	324.36 (12.77)
HP8-770	271.27 (10.68)	333.25 (13.12)
HP8-850	277.37 (10.92)	339.34 (13.36)

Inch equivalents for millimeter dimensions are shown in (**).

