



# Brass Ball Valves Series 533 3-Way Diversion / Series 540 4-Way

MATERIALS OF CONSTRUCTION	
VALVE BODY:	FORGED BRASS
BALL:	CHROME PLATED BRASS
SEATS / SEALS:	PTFE
HANDLE:	STEEL

STYLE	TYPE	MATERIAL	SIZE	OPTIONS
V	533	P	-4	-00
STYLE	V-VALVE P-LOCK			
TYPE	533 3-WAY DIVERSION, 540 4-WAY			
MATERIAL	P- BRASS			
SIZE	4-1/4", 6-3/8", 8-1/2", 12-3/4", 16-1"			
OPTIONS	<ul style="list-style-type: none"> <li>• 02-STAINLESS STEEL HANDLE &amp; NUT</li> <li>• 08-UNMARKED YELLOW VINYL HANDLE COVER</li> </ul>			

SPECIFICATIONS	
PRESSURE RANGE:	<ul style="list-style-type: none"> <li>• 400 PSI</li> <li>• VACUUM SERVICE TO 29 INCHES HG.</li> </ul>
TEMPERATURE RANGES:	-20° F TO 350°F
NOTE:	DIVERSION VALVES DO NOT HAVE OFF POSITIONS. THEREFORE, THE CENTER PORT CAN NOT BE USED FOR SHUT-OFF PURPOSES.
NOTE:	PERIODICALLY CHECK THE ADJUSTABLE PACKING NUT AND TIGHTEN AS REQUIRED.

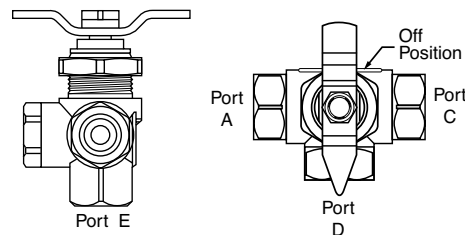
XV540P FLOW INFORMATION	
POINTER OVER	FLOW PATH
A	A TO E
OFF	CLOSED
C	C TO E
D	D TO E



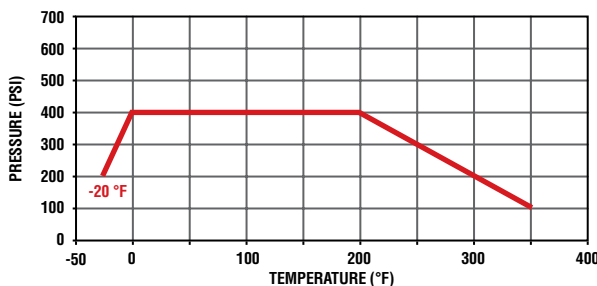
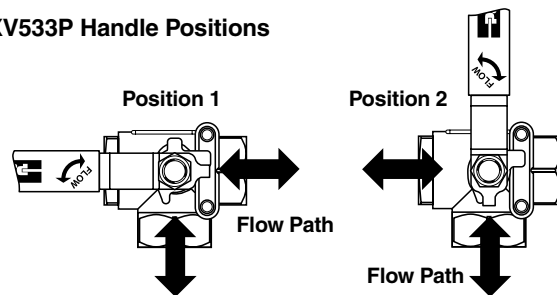
Designed for applications requiring flow diversion making tank selection and fluid transfer easy. For use on construction equipment, chemical processing, pumps and specialized industrial machinery.

**NOTE:** 3-way diversion valves do not have off positions, therefore, the center port can not be used for shut-off purposes.

### XV540P Handle Positions



### XV533P Handle Positions

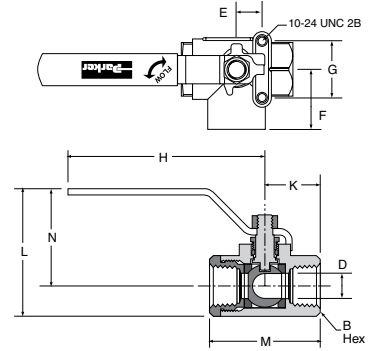


K



**Female-Female-Female Pipe Ends XV533P**

PART NO.	PIPE THD (PTF)	B HEX	E	F	G	H	K	L	M	N	FLOW DIA. D
XV533P-4	1/4	15/16	.50	1.08	1.12	3.96	1.03	2.47	2.03	1.94	.375
XV533P-6	3/8	15/16	.50	1.08	1.12	3.96	1.03	2.47	2.03	1.94	.375
XV533P-8	1/2	1-1/16	.50	1.18	1.12	3.96	1.11	2.58	2.20	1.98	.500
XV533P-12	3/4	1-1/4	.87	1.43	1.37	3.96	1.42	2.90	2.83	2.17	.685
XV533P-16	1	1-9/16	.87	1.62	1.37	3.96	1.58	3.21	3.16	2.32	.875



**Female-Female-Female-Female Pipe Ends XV540P**

PART NO.	PIPE THD (PTF)	B HEX	E	F	G	H	K	L	M	N	FLOW DIA. D
XV540P-4	1/4	7/8	.32	1.00	1.76	1.25	1.98	2.49	.52	1.07	.250

