

3-Way

Direct Acting Valves
1/8" - 1/4" NPT



3-Way

General Description:

3-way Direct Acting valves are suitable for low to medium pressure applications that do not require a minimum operating pressure differential. Available in normally open, normally closed and universal operation.

Installation

Valves can be mounted in any position. The preferred orientation is with the coil vertical and upright.

Standard Materials of Construction

Please refer to page B23.

Compatible Fluids

Lubricated Air, Inert Gases, Water, Light Oil (300 SSU) and additional fluids compatible with materials of construction.

Use of non-lubricated gaseous media can affect valve life.

Electrical Characteristics:

Standard Voltages:

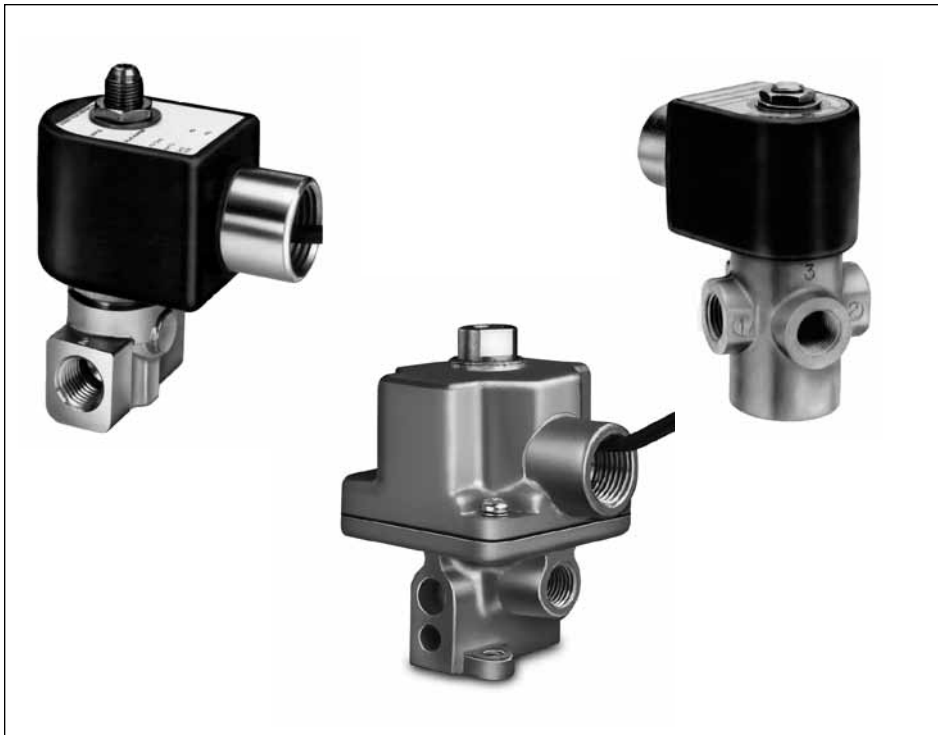
AC - 24/60

120/60-110/50

240/60-220/50

DC - 12, 24 & 120

For other Voltages - Consult Factory



Coil Classification:

Class F Standard, Class H Available
Class B Coils (Std. on A-Series Valves)

Agency Approvals:

Standard valves with NEMA 4X or explosion proof solenoid enclosures are UL Listed and CSA Certified. For additional details, consult factory.

SIL-3 Capable (Models 7131Txx, 7132Txx, 7133Txx). See Certificate in Technical Section Page F19.

Maximum Ambient Temperature

167°F

Please refer to Page B23 for details.

Applications:

- Single acting spring return cylinder control
- Selection or diversion of process media
- HVAC damper control
- Instrumentation
- Pneumatic positioning
- Automatic dispensing equipment
- Gas sampling
- Small compressors
- Water treatment
- Air dryers



3-Way Direct Acting - Normally Closed - Brass

Port Size NPT	Orifice Size In.		Flow Factor Cv		Operating Pressure Differential (MOPD) PSI				Watt	Max. Media Temp. °F	Seal	Pressure Vessel Number	Reference	
	In	Exh.	In	Exh.	Min.	Air, Inert Gas	Water	Light Oil					Coil	Valve

AC TECHNICAL SPECIFICATIONS

1/8	3/64	3/64	0.05	0.05	0	200	200	200	6	180	NBR	02F30C1103AAF	1	B8
1/8	1/16	1/16	0.08	0.08	0	125	125	125	6	180	NBR	02F30C1104AAF	1	B8
1/8	1/16	1/16	0.11	0.11	0	215	215	215	10	185	FKM	7131KBN1GV00	7	B12
1/8	3/32	3/32	0.12	0.12	0	100	100	100	6	180	NBR	02F30C1106AAF	1	B8
1/8	1/8	1/8	0.21	0.21	0	40	40	40	6	180	NBR	02F30C1108AAF	1	B8
1/8	3/32	3/32	0.24	0.24	0	100	100	100	10	185	FKM	7131KBN1LV00	7	B12
1/4	1/32	1/32	0.02	0.02	0	580	580	580	10	165	PCTFE	7131KBN2BF00	7	B12
1/4	1/16	1/16	0.08	0.08	0	125	125	125	6	180	NBR	04F30C2104AAF	1	B16
1/4	1/16	1/16	0.09	0.09	0	235	235	235	16	200	NBR	04F30C2104ADF	5	B17
1/4	1/16	1/16	0.11	0.11	0	215	215	215	10	185	FKM	7131KBN2GV00	7	B12
1/4	3/32	3/32	0.12	0.12	0	140	140	140	11	200	NBR	04F30C2106ACF	4	B17
1/4	5/64	5/64	0.17	0.24	0	150	150	150	10	185	FKM	7131KBN2JV00	7	B12
1/4	5/64	1/8	0.17	0.31	0	150	150	150	10	185	FKM	7131TBN2JV00	7	B13
1/4	3/32	3/32	0.21	0.21	0	250	250	250	16	180	NBR	A3LB2252	*	B18
1/4	3/32	9/64	0.24	0.38	0	110	110	110	10	185	FKM	7131TBN2LV00	7	B13
1/4	3/32	3/32	0.24	0.24	0	100	100	100	10	185	FKM	7131KBN2LV00	7	B12
1/4	1/8	1/8	0.25	0.25	0	70	70	70	11	200	NBR	04F30C2108ACF	4	B17
1/4	1/8	1/8	0.35	0.35	0	175	175	175	16	180	NBR	A3LB2177	*	B18
1/4	11/64	11/64	0.35	0.35	0	40	40	40	11	200	NBR	04F30C2111ACF	4	B17
1/4	5/32	5/32	0.45	0.45	0	125	125	125	16	180	NBR	A3LB2127	*	B18
1/4	3/16	1/4	0.49	0.63	0	30	30	30	10	185	FKM	7131TBN2RV00	7	B13

*Ordering A Series Valves:

A Series Valves must be ordered as complete part numbers (These are Class B coils).

- 1) Select pressure vessel part number from above (i.e. A3LB2252)
- 2) Choose coil/enclosure part number from table below for required voltage

Voltage	24/60	120/60	240/60	12VDC	24VDC
Coil Code	AB2A44	AB6A46	AB8A48	DC1A22	DC2A23
Coil Part Number*	AB720S24	AB728S24	AB731S24	A7724F24	A7727F24

*When ordering a replacement coil, use Coil Part Number (not Coil Code)

- 3) Complete P/N for 120/60 is A3LB2252AB6A46



3-Way Direct Acting - Normally Closed - Brass

Port Size NPT	Orifice Size In.		Flow Factor Cv		Operating Pressure Differential (MOPD) PSI				Watt	Max. Media Temp. °F	Seal	Pressure Vessel Number	Reference	
	In	Exh.	In	Exh.	Min.	Air, Inert Gas	Water	Light Oil					Coil	Valve

DC TECHNICAL SPECIFICATIONS

1/8	3/64	3/64	0.05	0.05	0	200	200	200	9.5	120	NBR	02F30C1103A1F	3	B8
1/8	1/16	1/16	0.08	0.08	0	125	125	125	9.5	120	NBR	02F30C1104A1F	3	B8
1/8	1/16	1/16	0.11	0.11	0	215	215	215	10	185	FKM	7131KBN1GV00	7	B12
1/8	3/32	3/32	0.12	0.12	0	100	100	100	9.5	120	NBR	02F30C1106A1F	3	B8
1/8	3/32	3/32	0.24	0.24	0	100	100	100	10	185	FKM	7131KBN1LV00	7	B12
1/8	1/8	1/8	0.21	0.21	0	40	40	40	9.5	120	NBR	02F30C1108A1F	3	B8
1/4	1/32	1/32	0.02	0.02	0	580	580	580	10	165	PCTFE	7131KBN2BF00	7	B12
1/4	1/16	1/16	0.08	0.08	0	125	125	125	9.5	120	NBR	04F30C2104A1F	3	B16
1/4	1/16	1/16	0.09	0.09	0	160	160	160	11.5	150	NBR	04F30C2104A3F	6	B17
1/4	1/16	1/16	0.11	0.11	0	215	215	215	10	185	FKM	7131KBN2GV00	7	B12
1/4	3/32	3/32	0.12	0.12	0	115	115	115	11.5	150	NBR	04F30C2106A3F	6	B17
1/4	5/64	5/64	0.17	0.24	0	150	150	150	10	185	FKM	7131KBN2JV00	7	B12
1/4	5/64	1/8	0.17	0.31	0	150	150	150	10	185	FKM	7131TBN2JV00	7	B13
1/4	3/32	3/32	0.21	0.21	0	250	250	250	14	180	NBR	A36LB2251	*	B18
1/4	3/32	9/64	0.24	0.38	0	110	110	110	10	185	FKM	7131TBN2LV00	7	B13
1/4	3/32	3/32	0.24	0.24	0	100	100	100	10	185	FKM	7131KBN2LV00	7	B12
1/4	1/8	1/8	0.25	0.25	0	60	60	60	11.5	150	NBR	04F30C2108A3F	6	B17
1/4	1/8	1/8	0.35	0.35	0	175	175	175	14	180	NBR	A36LB2176	*	B18
1/4	11/64	11/64	0.35	0.35	0	25	25	25	11.5	150	NBR	04F30C2111A3F	6	B17
1/4	5/32	5/32	0.45	0.45	0	125	125	125	14	180	NBR	A36LB2126	*	B18
1/4	3/16	1/4	0.49	0.63	0	30	30	30	10	185	FKM	7131TBN2RV00	7	B13

*Ordering A Series Valves:

A Series Valves must be ordered as complete part numbers (These are Class B coils).

- 1) Select pressure vessel part number from above (i.e. A3LB2252)
- 2) Choose coil/enclosure part number from table below for required voltage

Voltage	24/60	120/60	240/60	12VDC	24VDC
Coil Code	AB2A44	AB6A46	AB8A48	DC1A22	DC2A23
Coil Part Number*	AB720S24	AB728S24	AB731S24	A7724F24	A7727F24

*When ordering a replacement coil, use Coil Part Number (not Coil Code)

- 3) Complete P/N for 120/60 is A3LB2252AB6A46

3-Way Direct Acting - Normally Closed - Stainless Steel

Port Size NPT	Orifice Size In.		Flow Factor Cv		Operating Pressure Differential (MOPD) PSI				Watt	Max. Media Temp. °F	Seal	Pressure Vessel Number	Reference	
	In.	Exh.	In.	Exh.	Min.	Air, Inert Gas	Water	Light Oil					Coil	Valve

AC TECHNICAL SPECIFICATIONS

1/8	3/64	1/16	0.060	0.095	0	250	250	250	10	185	NBR	71315SN1ENJ1	7	B5
1/8	3/64	1/16	0.060	0.095	0	250	250	250	10	185	NBR	71315SN1EN00	7	B5
1/8	3/64	3/64	0.060	0.060	0	200	200	200	6	180	NBR	02F30C3103AAF	1	B8
1/8	1/16	1/16	0.090	0.090	0	125	125	125	6	180	NBR	02F30C3104AAF	1	B8
1/8	1/16	1/16	0.110	0.095	0	200	200	200	10	185	NBR	71315SN1GNJ1	7	B5
1/8	1/16	1/16	0.110	0.095	0	200	200	200	10	185	NBR	71315SN1GN00	7	B5
1/8	3/32	3/32	0.170	0.170	0	125	125	125	10	185	NBR	71315SN1KNJ1	7	B5
1/8	3/32	3/32	0.170	0.170	0	125	125	125	10	185	NBR	71315SN1KN00	7	B5
1/8	1/8	3/32	0.230	0.170	0	90	90	90	10	185	NBR	71315SN1MNJ1	7	B5
1/8	1/8	3/32	0.230	0.170	0	90	90	90	10	185	NBR	71315SN1MN00	7	B5
1/8	3/16	3/32	0.380	0.170	0	25	25	25	10	185	NBR	71315SN1SNJ1	7	B5
1/8	3/16	3/32	0.380	0.170	0	25	25	25	10	185	NBR	71315SN1SN00	7	B5
*1/8	1/4	3/32	0.670	0.170	0	VAC	N/A	N/A	10	185	NBR	71315SN1VNJ1	7	B5

1/4	3/64	1/16	0.062	0.095	0	250	250	250	10	185	NBR	71315SN2ENJ1	7	B5
1/4	3/64	1/16	0.062	0.095	0	250	250	250	10	185	NBR	71315SN2EN00	7	B5
1/4	1/16	1/16	0.090	0.090	0	125	125	125	6	180	NBR	04F30C3104AAF	1	B14
1/4	1/16	1/16	0.110	0.095	0	200	200	200	10	185	NBR	71315SN2GNJ1	7	B5
1/4	1/16	1/16	0.110	0.095	0	200	200	200	10	185	NBR	71315SN2GN00	7	B5
1/4	1/16	1/16	0.110	0.095	0	200	200	200	10	185	NBR	7131TVN2GV00	7	B11
1/4	3/32	3/32	0.120	0.120	0	150	150	150	11	200	NBR	04F30C3106ACF	4	B15
1/4	3/32	3/32	0.170	0.170	0	125	125	125	10	185	NBR	71315SN2KNJ1	7	B5
1/4	3/32	3/32	0.170	0.170	0	125	125	125	10	185	NBR	71315SN2KN00	7	B5
1/4	5/64	5/64	0.180	0.180	0	150	150	150	10	185	FKM	7131TVN2JV00	7	B11
1/4	3/32	3/32	0.190	0.190	0	110	110	110	10	185	NBR	7131TVN2LV00	7	B11
1/4	1/8	3/32	0.230	0.170	0	90	90	90	10	185	NBR	71315SN2MNJ1	7	B5
1/4	1/8	1/8	0.230	0.170	0	90	90	90	10	185	NBR	71315SN2MN00	7	B5
1/4	1/8	1/8	0.250	0.250	0	85	85	85	11	200	NBR	04F30C3108ACF	4	B15
1/4	1/8	1/8	0.320	0.320	0	70	70	70	10	185	FKM	7131TVN2NV00	7	B11
1/4	3/16	3/32	0.380	0.170	0	25	25	25	10	185	NBR	71315SN2SNJ1	7	B5
1/4	3/16	3/32	0.380	0.170	0	25	25	25	10	185	NBR	71315SN2SN00	7	B5
*1/4	1/4	3/32	0.670	0.170	0	VAC	N/A	N/A	10	185	NBR	71315SN2VNJ1	7	B5

*Note: Vacuum source should be connected to outlet/cylinder port.



3-Way

3-Way Direct Acting - Normally Closed - Stainless Steel (Continued)

Port Size NPT	Orifice Size In.		Flow Factor Cv		Operating Pressure Differential (MOPD) PSI				Watt	Max. Media Temp. °F	Seal	Pressure Vessel Number	Reference	
	In	Exh.	In	Exh.	Min.	Air, Inert Gas	Water	Light Oil					Coil	Valve
DC TECHNICAL SPECIFICATIONS														
1/8	3/64	3/64	0.060	0.060	0	200	200	200	9.5	120	NBR	02F30C3103A1F	3	B8
1/8	3/64	1/16	0.062	0.095	0	250	250	250	10	185	NBR	71315SN1ENJ1	7	B5
1/8	3/64	1/16	0.062	0.095	0	250	250	250	10	185	NBR	71315SN1EN00	7	B5
1/8	1/16	1/16	0.090	0.090	0	125	125	125	9.5	120	NBR	02F30C3104A1F	3	B8
1/8	1/16	1/16	0.110	0.095	0	200	200	200	10	185	NBR	71315SN1GNJ1	7	B5
1/8	1/16	1/16	0.110	0.095	0	200	200	200	10	185	NBR	71315SN1GN00	7	B5
1/8	3/32	3/32	0.170	0.170	0	125	125	125	10	185	NBR	71315SN1KNJ1	7	B5
1/8	3/32	3/32	0.170	0.170	0	125	125	125	10	185	NBR	71315SN1KN00	7	B5
1/8	1/8	3/32	0.230	0.170	0	90	90	90	10	185	NBR	71315SN1MNJ1	7	B5
1/8	1/8	3/32	0.230	0.170	0	90	90	90	10	185	NBR	71315SN1MN00	7	B5
1/8	3/16	3/32	0.380	0.170	0	25	25	25	10	185	NBR	71315SN1SNJ1	7	B5
1/8	3/16	3/32	0.380	0.170	0	25	25	25	10	185	NBR	71315SN1SN00	7	B5
*1/8	1/4	3/32	0.670	0.170	0	VAC	N/A	N/A	10	185	NBR	71315SN1VNJ1	7	B5
1/4	3/64	1/16	0.062	0.095	0	250	250	250	10	185	NBR	71315SN2ENJ1	7	B5
1/4	3/64	1/16	0.062	0.095	0	250	250	250	10	185	NBR	71315SN2EN00	7	B5
1/4	1/16	1/16	0.090	0.090	0	125	125	125	9.5	150	NBR	04F30C3104A1F	3	B14
1/4	1/16	1/16	0.110	0.095	0	200	200	200	10	185	NBR	71315SN2GNJ1	7	B5
1/4	1/16	1/16	0.110	0.095	0	200	200	200	10	185	NBR	71315SN2GN00	7	B5
1/4	1/16	1/16	0.110	0.095	0	200	200	200	10	185	NBR	7131TVN2GV00	7	B11
1/4	3/32	3/32	0.120	0.120	0	115	115	115	11.5	150	NBR	04F30C3106A3F	6	B15
1/4	3/32	3/32	0.170	0.170	0	125	125	125	10	185	NBR	71315SN2KNJ1	7	B5
1/4	3/32	3/32	0.170	0.170	0	125	125	125	10	185	NBR	71315SN2KN00	7	B5
1/4	3/32	3/32	0.190	0.190	0	110	110	110	10	185	NBR	7131TVN2LV00	7	B11
1/4	5/64	5/64	0.180	0.180	0	150	150	150	10	185	FKM	7131TVN2JV00	7	B11
1/4	1/8	3/32	0.230	0.170	0	90	90	90	10	185	NBR	71315SN2MNJ1	7	B5
1/4	1/8	1/8	0.230	0.170	0	90	90	90	10	185	NBR	71315SN2MN00	7	B5
1/4	1/8	1/8	0.250	0.250	0	60	60	60	11.5	150	NBR	04F30C3108A3F	6	B15
1/4	1/8	1/8	0.320	0.320	0	70	70	70	10	185	FKM	7131TVN2NV00	7	B11
1/4	3/16	3/32	0.380	0.170	0	25	25	25	10	185	NBR	71315SN2SNJ1	7	B5
1/4	3/16	3/32	0.380	0.170	0	25	25	25	10	185	NBR	71315SN2SN00	7	B5
*1/4	1/4	3/32	0.670	0.170	0	VAC	N/A	N/A	10	185	NBR	71315SN2VNJ1	7	B5

*Note: Vacuum source should be connected to outlet/cylinder port.

3-Way Direct Acting - Normally Open - Brass

Port Size NPT	Orifice Size In.		Flow Factor Cv		Operating Pressure Differential (MOPD) PSI				Watt	Max. Media Temp. °F	Seal	Pressure Vessel Number	Reference	
	In	Exh.	In	Exh.	Min.	Air, Inert Gas	Water	Light Oil					Coil	Valve

AC TECHNICAL SPECIFICATIONS

1/8	3/64	3/64	0.06	0.06	0	200	200	200	6	180	NBR	02F30O1103AAF	1	B8
1/8	1/16	1/16	0.09	0.09	0	125	125	125	6	180	NBR	02F30O1104AAF	1	B8
1/8	3/32	3/32	0.12	0.12	0	100	100	100	6	180	NBR	02F30O1106AAF	1	B8
1/4	1/16	1/16	0.09	0.09	0	235	250	250	16	200	NBR	04F30O2104ADF	5	B17
1/4	3/32	3/32	0.12	0.12	0	140	140	140	11	200	NBR	04F30O2106ACF	4	B17
1/4	1/8	1/8	0.25	0.25	0	70	70	70	11	200	NBR	04F30O2108ACF	4	B17
1/4	1/8	1/8	0.35	0.35	0	175	175	175	16	180	NBR	A5LB2177	*	B18
1/4	11/64	11/64	0.35	0.35	0	40	40	40	11	200	NBR	04F30O2111ACF	4	B17
1/4	5/32	5/32	0.45	0.45	0	125	125	125	16	180	NBR	A5LB2127	*	B18
1/4	5/32	1/8	0.31	0.41	0	150	150	150	22	185	FKM	7132TBN2NV00	8	B4

DC TECHNICAL SPECIFICATIONS

1/8	3/64	3/64	0.06	0.06	0	200	200	200	9.5	120	NBR	02F30O1103A1F	1	B8
1/8	1/16	1/16	0.09	0.09	0	200	200	200	9.5	120	NBR	02F30O1104A1F	1	B8
1/8	3/32	3/32	0.12	0.12	0	100	100	100	9.5	120	NBR	02F30O1106A1F	1	B8
1/4	1/16	1/16	0.09	0.09	0	160	160	160	11.5	150	NBR	04F30O2104A3F	6	B17
1/4	3/32	3/32	0.12	0.12	0	100	100	100	11.5	150	NBR	04F30O2106A3F	6	B17
1/4	1/8	1/8	0.25	0.25	0	55	55	55	11.5	150	NBR	04F30O2108A3F	6	B17
1/4	1/8	1/8	0.35	0.35	0	175	175	175	14	180	NBR	A56LB2176	*	B18
1/4	11/64	11/64	0.35	0.35	0	30	30	30	11.5	150	NBR	04F30O2111A3F	6	B17
1/4	5/32	5/32	0.45	0.45	0	125	125	125	14	180	NBR	A56LB2126	*	B18

*Ordering A Series Valves:

A Series Valves must be ordered as complete part numbers (These are Class B coils).

- 1) Select pressure vessel part number from above (i.e. A3LB2252)
- 2) Choose coil/enclosure part number from table below for required voltage

Voltage	24/60	120/60	240/60	12VDC	24VDC
Coil Code	AB2A44	AB6A46	AB8A48	DC1A22	DC2A23
Coil Part Number*	AB720S24	AB728S24	AB731S24	A7724F24	A7727F24

*When ordering a replacement coil, use Coil Part Number (not Coil Code)

- 3) Complete P/N for 120/60 is A3LB2252AB6A46



3-Way Direct Acting - Normally Open - Stainless Steel

Port Size NPT	Orifice Size In.		Flow Factor Cv		Operating Pressure Differential (MOPD) PSI				Watt	Max. Media Temp. °F	Seal	Pressure Vessel Number	Reference	
	In	Exh.	In	Exh.	Min.	Air, Inert Gas	Water	Light Oil					Coil	Valve

AC TECHNICAL SPECIFICATIONS

1/8	3/64	1/16	0.052	0.10	0	250	250	250	10	185	NBR	71395SN1ENJ1	7	B6
1/8	1/16	1/8	0.100	0.28	0	150	150	150	10	185	NBR	71395SN1GNJ1	7	B6
1/8	3/32	1/8	0.280	0.28	0	125	125	125	10	185	NBR	71395SN1KNJ1	7	B6
1/4	3/64	1/16	0.052	0.10	0	250	250	250	10	185	NBR	71395SN2ENJ1	7	B6
1/4	1/16	1/8	0.100	0.28	0	150	150	150	10	185	NBR	71395SN2GNJ1	7	B6
1/4	3/32	3/32	0.120	0.12	0	150	140	140	11	200	NBR	04F30O3106ACF	4	B15
1/4	3/32	1/8	0.170	0.28	0	125	125	125	10	185	NBR	71395SN2KNJ1	7	B6
1/4	1/8	1/8	0.250	0.25	0	70	70	70	11	200	NBR	04F30O3108ACF	4	B15

DC TECHNICAL SPECIFICATIONS

1/8	3/64	1/16	0.052	0.10	0	250	250	250	10	185	NBR	71395SN1ENJ1	7	B6
1/8	1/16	1/8	0.100	0.28	0	150	150	150	10	185	NBR	71395SN1GNJ1	7	B6
1/8	3/32	1/8	0.280	0.28	0	125	125	125	10	185	NBR	71395SN1KNJ1	7	B6
1/4	3/64	1/16	0.052	0.10	0	250	250	250	10	185	NBR	71395SN2ENJ1	7	B6
1/4	1/16	1/8	0.100	0.28	0	150	150	150	10	185	NBR	71395SN2GNJ1	7	B6
1/4	3/32	3/32	0.120	0.12	0	100	100	100	11.5	150	NBR	04F30O3106A3F	6	B15
1/4	3/32	1/8	0.170	0.28	0	125	125	125	10	185	NBR	71395SN2KNJ1	7	B6
1/4	1/8	1/8	0.250	0.25	0	55	55	55	11.5	150	NBR	04F30O3108A3F	6	B15

3-Way



3-Way Direct Acting - Universal - Brass

Port Size NPT	Orifice Size In.		Flow Factor Cv		Operating Pressure Differential (MOPD) PSI				Watt	Max. Media Temp. °F	Seal	Pressure Vessel Number	Reference	
	N.C.	N.O.	N.C.	N.O.	Min.	Air, Inert Gas	Water	Light Oil					Coil	Valve

AC TECHNICAL SPECIFICATIONS

1/8	3/64	3/64	0.06	0.06	0	175	175	175	10.2	180	NBR	02F30U1103ABF	2	B8
1/8	1/16	1/16	0.09	0.09	0	100	100	100	10.2	180	NBR	02F30U1104ABF	2	B8
1/8	1/16	1/16	0.11	0.11	0	150	150	150	10	185	FKM	7133KBN1GVJ1	7	B9
1/8	3/32	3/32	0.12	0.12	0	50	50	50	6	180	NBR	02F30U1106AAF	1	B8
1/8	5/64	5/64	0.15	.015	0	100	100	100	10	185	FKM	7133KBN1JVJ1	7	B9
1/8	1/8	1/8	0.21	0.21	0	30	30	30	10.2	180	NBR	02F30U1108ABF	2	B8
1/4	1/32	1/32	0.02	0.02	0	435	435	435	10	185	FKM	7133KBN2BVJ1	7	B9
1/4	1/16	1/16	0.09	0.09	0	125	130	130	11	200	NBR	04F30U2104ACF	4	B17
1/4	1/16	1/16	0.10	0.10	0	150	150	150	10	185	FKM	7133KBN2GVJ1	7	B9
1/4	3/32	3/32	0.12	0.12	0	100	100	100	16	200	NBR	04F30U2106ADF	5	B17
1/4	5/64	5/64	0.15	0.15	0	100	100	100	10	185	FKM	7133KBN2JVJ1	7	B9
1/4	5/64	5/64	0.17	0.17	0	100	100	100	10	185	FKM	7133TBN2JV00	7	B10
1/4	1/8	1/8	0.25	0.25	0	50	50	50	16	200	NBR	04F30U2108ADF	5	B17
1/4	1/8	1/8	0.31	0.31	0	30	30	30	10	185	FKM	7133TBN2NV00	7	B10
1/4	11/64	11/64	0.35	0.35	0	20	20	20	11	200	NBR	04F30U2111ACF	4	B17
1/4	5/32	5/32	0.45	0.45	0	75	75	75	16	180	NBR	A4LB2077	*	B18

DC TECHNICAL SPECIFICATIONS

1/8	3/64	3/64	0.06	0.06	0	125	130	130	9.5	120	NBR	02F30U1103A1F	3	B8
1/8	1/16	1/16	0.09	0.09	0	65	65	65	9.5	120	NBR	02F30U1104A1F	3	B8
1/8	1/16	1/16	0.11	0.11	0	150	150	150	10	185	FKM	7133KBN1GVJ1	7	B9
1/8	3/32	3/32	0.12	0.12	0	50	50	50	9.5	120	NBR	02F30U1106A1F	3	B8
1/8	5/64	5/64	0.15	.015	0	100	100	100	10	185	FKM	7133KBN1JVJ1	7	B9
1/8	1/8	1/8	0.21	0.21	0	20	20	20	9.5	120	NBR	02F30U1108A1F	3	B8
1/4	1/32	1/32	0.02	0.02	0	435	435	435	10	185	FKM	7133KBN2BVJ1	7	B9
1/4	1/16	1/16	0.09	0.09	0	75	75	75	11.5	150	NBR	04F30U2104A3F	6	B17
1/4	1/16	1/16	0.10	0.10	0	150	150	150	10	185	FKM	7133KBN2GVJ1	7	B9
1/4	3/32	3/32	0.12	0.12	0	60	60	60	11.5	150	NBR	04F30U2106A3F	6	B17
1/4	5/64	5/64	0.15	0.15	0	100	100	100	10	185	FKM	7133KBN2JVJ1	7	B9
1/4	5/64	5/64	0.17	0.17	0	100	100	100	10	185	FKM	7133TBN2JV00	7	B10
1/4	1/8	1/8	0.25	0.25	0	25	25	25	11.5	150	NBR	04F30U2108A3F	6	B17
1/4	1/8	1/8	0.31	0.31	0	30	30	30	10	185	FKM	7133TBN2NV00	7	B10
1/4	11/64	11/64	0.35	0.35	0	12	12	12	11.5	150	NBR	04F30U2111A3F	6	B17
1/4	5/32	5/32	0.45	0.45	0	75	75	75	14	180	NBR	A46LB2076	*	B18

*Refer to "Ordering A Series Valves" on bottom of page B10.



3-Way

3-Way Direct Acting - Universal - Stainless Steel

Port Size NPT	Orifice Size In.		Flow Factor Cv		Operating Pressure Differential (MOPD) PSI				Watt	Max. Media Temp. °F	Seal	Pressure Vessel Number	Reference	
	N.C.	N.O.	N.C.	N.O.	Min.	Air, Inert Gas	Water	Light Oil					Coil	Valve

AC TECHNICAL SPECIFICATIONS

1/8	3/64	3/64	0.052	0.052	0	180	180	180	10	185	NBR	71335SN1ENJ1	7	B3
1/8	1/16	1/16	0.090	0.090	0	100	100	100	10.2	180	NBR	02F30U3104ABF	2	B8
1/8	1/16	1/16	0.095	0.095	0	115	115	115	10	185	NBR	71335SN1GNJ1	7	B3
1/8	3/32	3/32	0.170	0.170	0	80	80	80	10	185	NBR	71335SN1KNJ1	7	B3
1/8	1/8	1/8	0.210	0.210	0	30	30	30	10.2	180	NBR	02F30U3108ABF	2	B8
1/4	1/32	1/32	0.024	0.024	0	400	400	400	10	185	NBR	71335SN2ANJ1	7	B3
1/4	3/64	3/64	0.052	0.052	0	180	180	180	10	185	NBR	71335SN2ENJ1	7	B3
1/4	1/16	1/16	0.090	0.090	0	100	100	100	10.2	180	NBR	04F30U3104ABF	2	B14
1/4	1/16	1/16	0.095	0.095	0	115	115	115	10	185	NBR	71335SN2GNJ1	7	B3
1/4	1/16	1/16	0.095	0.095	0	150	150	150	10	185	FKM	7133TVN2GV00	7	B2
1/4	3/32	3/32	0.120	0.120	0	100	100	100	16	200	NBR	04F30U3106ADF	5	B15
1/4	3/32	3/32	0.170	0.170	0	80	80	80	10	185	NBR	71335SN2KNJ1	7	B3
1/4	5/64	5/64	0.180	0.180	0	100	100	100	10	185	FKM	7133TVN2JV00	7	B2
1/4	1/8	1/8	0.250	0.250	0	50	50	50	16	200	NBR	04F30U3108ADF	5	B15
1/4	1/8	1/8	0.320	0.320	0	30	30	30	10	185	FKM	7133TVN2NV00	7	B2

DC TECHNICAL SPECIFICATIONS

1/8	3/64	3/64	0.052	0.052	0	180	180	180	10	185	NBR	71335SN1ENJ1	7	B3
1/8	1/16	1/16	0.090	0.090	0	65	65	65	9.5	120	NBR	02F30U3104A1F	3	B8
1/8	1/16	1/16	0.095	0.095	0	115	115	115	10	185	NBR	71335SN1GNJ1	7	B3
1/8	3/32	3/32	0.170	0.170	0	80	80	80	10	185	NBR	71335SN1KNJ1	7	B3
1/8	1/8	1/8	0.210	0.210	0	25	25	25	9.5	120	NBR	02F30U3108A1F	3	B8
1/4	1/32	1/32	0.024	0.024	0	400	400	400	10	185	NBR	71335SN2ANJ1	7	B3
1/4	3/64	3/64	0.052	0.052	0	180	180	180	10	185	NBR	71335SN2ENJ1	7	B3
1/4	1/16	1/16	0.090	0.090	0	65	65	65	9.5	120	NBR	04F30U3104A1F	3	B14
1/4	1/16	1/16	0.095	0.095	0	150	150	150	10	185	FKM	7133TVN2GV00	7	B2
1/4	1/16	1/16	0.095	0.095	0	115	115	115	10	185	NBR	71335SN2GNJ1	7	B3
1/4	3/32	3/32	0.120	0.120	0	60	60	60	11.5	150	NBR	04F30U3106A3F	6	B15
1/4	3/32	3/32	0.170	0.170	0	80	80	80	10	185	NBR	71335SN2KNJ1	7	B3
1/4	5/64	5/64	0.180	0.180	0	100	100	100	10	185	FKM	7133TVN2JV00	7	B2
1/4	1/8	1/8	0.250	0.250	0	25	25	25	11.5	150	NBR	04F30U3108A3F	6	B15
1/4	1/8	1/8	0.320	0.320	0	30	30	30	10	185	FKM	7133TVN2NV00	7	B2

3-Way Direct Acting - Diverting - Stainless Steel

Port Size NPT	Orifice Size In.		Flow Factor Cv		Operating Pressure Differential (MOPD) PSI				Watt	Max. Media Temp. °F	Seal	Pressure Vessel Number	Reference	
	N.C.	N.O.	N.C.	N.O.	Min.	Air, Inert Gas	Water	Light Oil					Coil	Valve

AC TECHNICAL SPECIFICATIONS

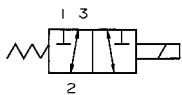
1/8	1/8	3/32	0.230	0.170	0	125	125	125	10	185	NBR	71385SN1MNJ1	7	B7
1/4	1/16	1/16	0.095	0.095	0	235	235	235	10	185	NBR	71385SN2GNJ1	7	B7
1/4	1/8	3/32	0.230	0.170	0	125	125	125	10	185	NBR	71385SN2MNJ1	7	B7

DC TECHNICAL SPECIFICATIONS

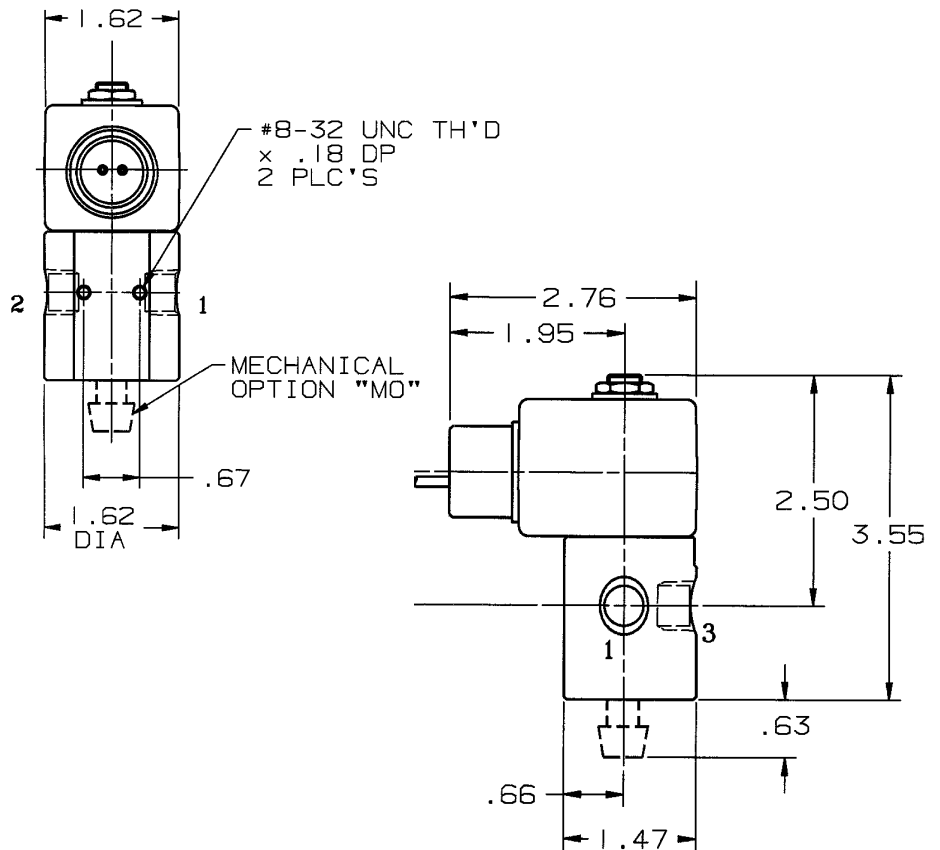
1/8	1/8	3/32	0.230	0.170	0	125	125	125	10	185	NBR	71385SN1MNJ1	7	B7
1/4	1/16	1/16	0.095	0.095	0	235	235	235	10	185	NBR	71385SN2GNJ1	7	B7
1/4	1/8	3/32	0.230	0.170	0	125	125	125	10	185	NBR	71385SN2MNJ1	7	B7

3-Way

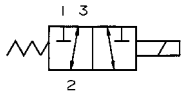
Valve Reference B2



3-Way Universal
Port Identification
1-NC / 2-COMMON / 3-NO

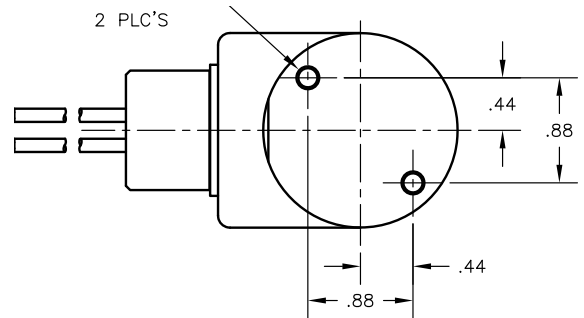
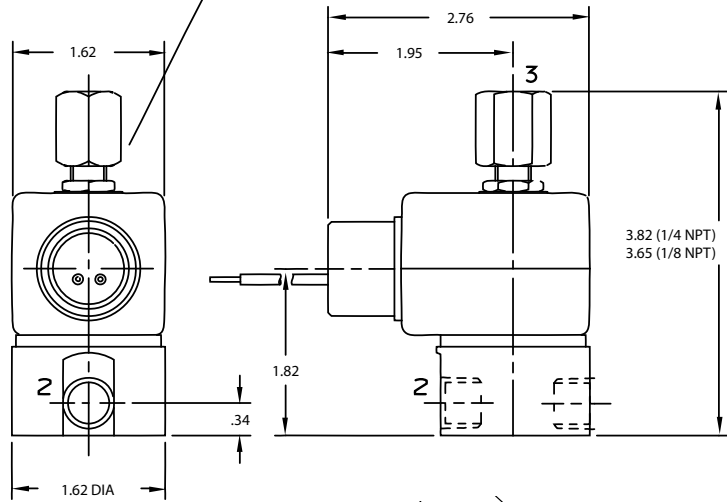


Valve Reference B3



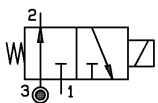
3-Way Universal
Port Identification
1-NC / 2-COMMON / 3-NO

MECHANICAL OPTION "J1" FOR TYPE 71335

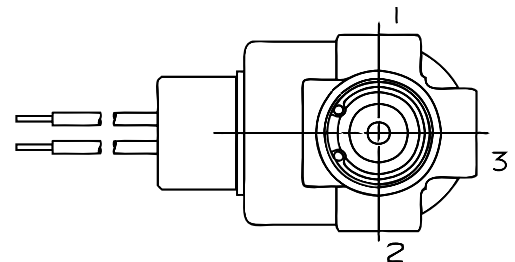
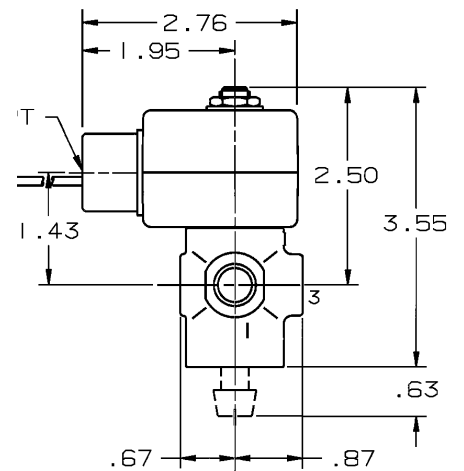
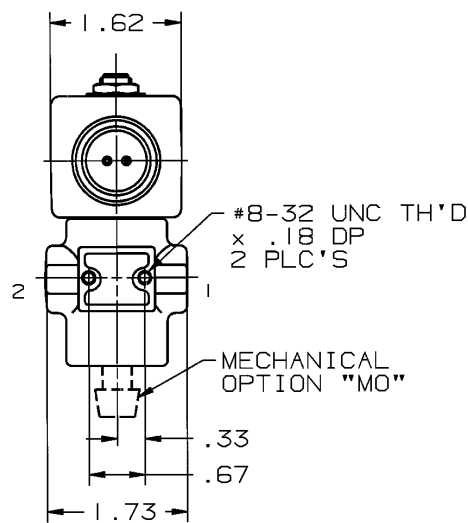


3-Way

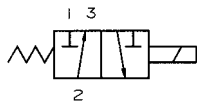
Valve Reference B4



3-Way Normally Open
Port Identification
1-Exhaust/ 2-Cylinder/ 3-Pressure



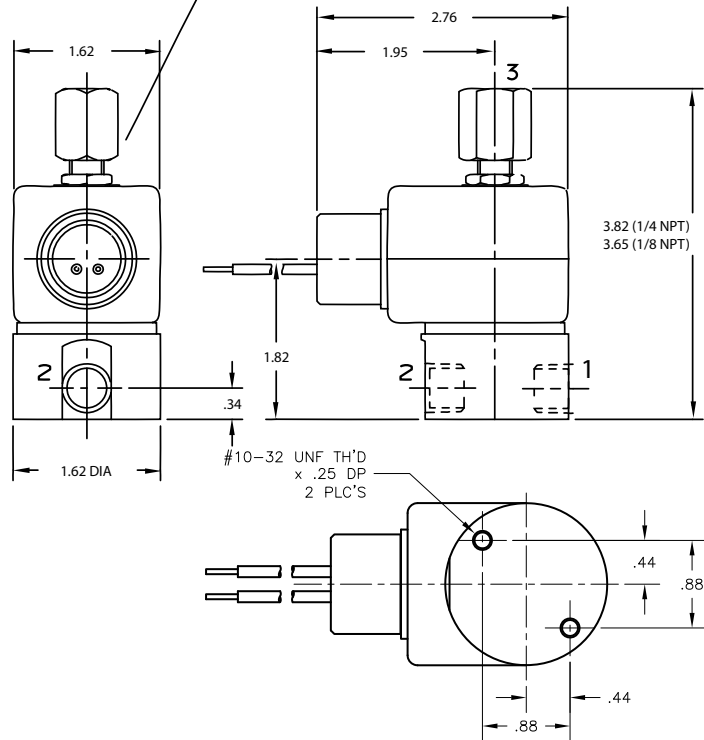
Valve Reference B5



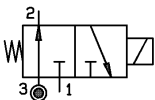
3-Way Normally Closed
Port Identification

1-Pressure / 2-Cylinder / 3-Exhaust

MECHANICAL OPTION "J1" FORTYPE 71335



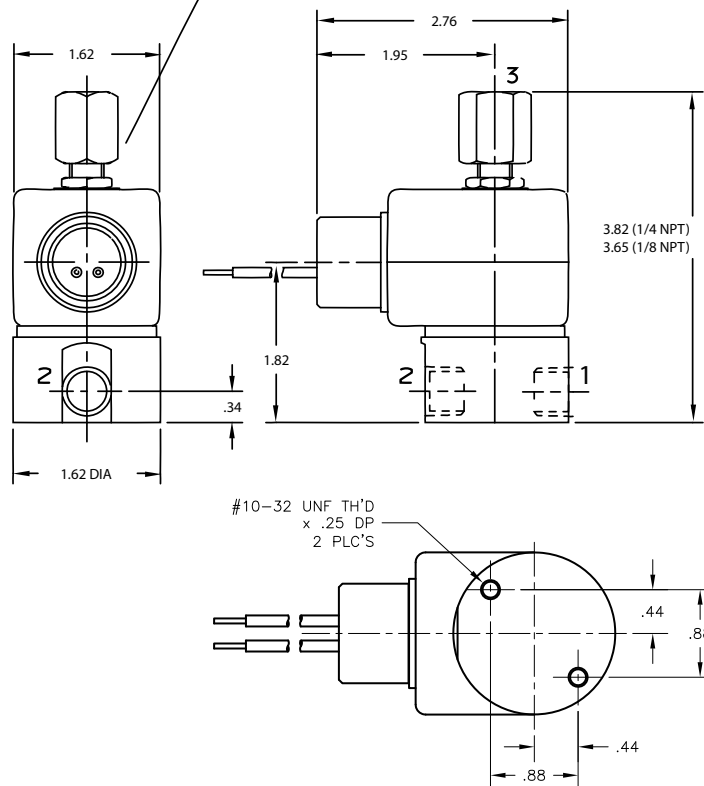
Valve Reference B6



3-Way Normally Open
Port Identification

1-Exhaust / 2-Cylinder / 3-Pressure

MECHANICAL OPTION "J1" FORTYPE 71395

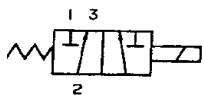


B16

www.comoso.com

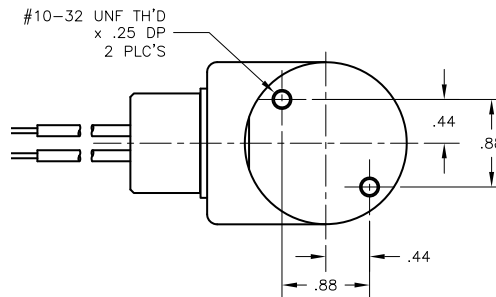
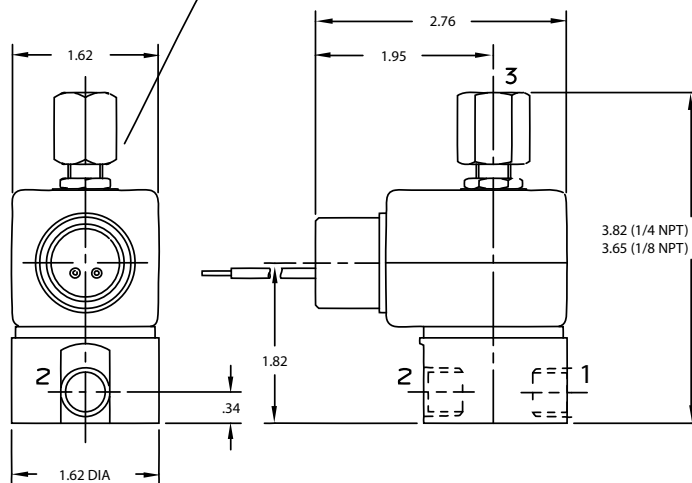
Parker Hannifin Corporation
Fluid Control Division
1 800 825 8305 (1 800 Valve05)
www.parker.com/fcd

Valve Reference B7



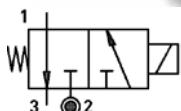
3-Way Normally Diverting
Port identification:
1-NC/ 2-IN/ 3-NO

MECHANICAL OPTION "J1" FOR TYPE 71385



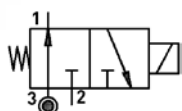
3-Way

Valve Reference B8



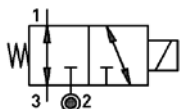
3-Way Normally Closed
02F30Cxx

Port Identification:
Press - 2 / CYL - 11 / EXH - 3



3-Way Normally Open
02F30Uxx

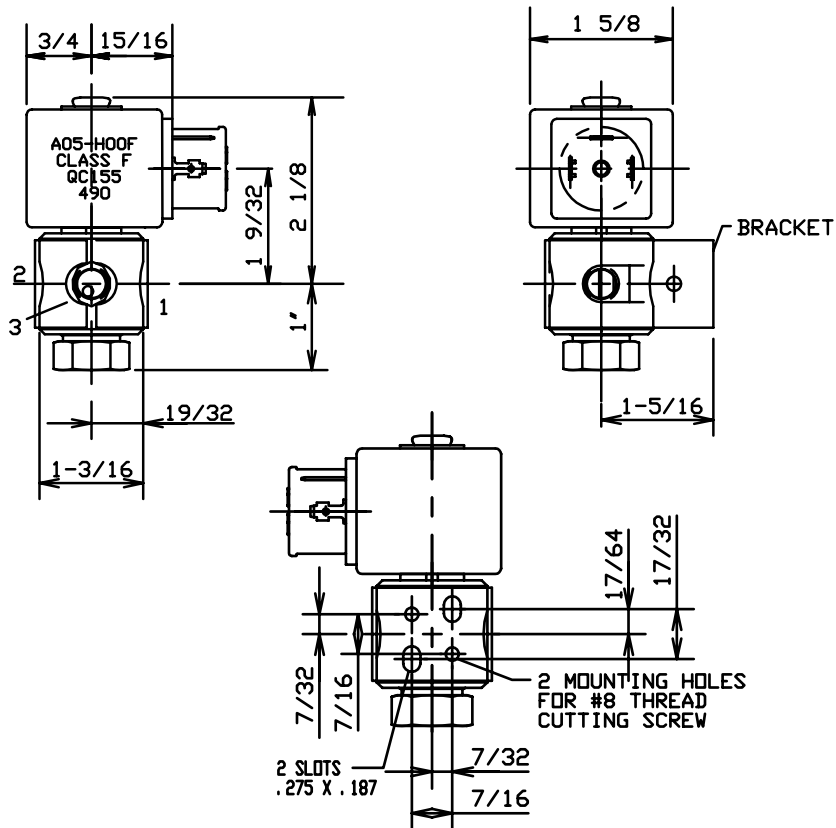
Port Identification:
Press - 3 / CYL - 1 / EXH - 2



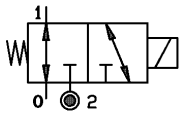
3-Way Universal
02F30Uxx

Port Identification:

Pressure can be applied at either port

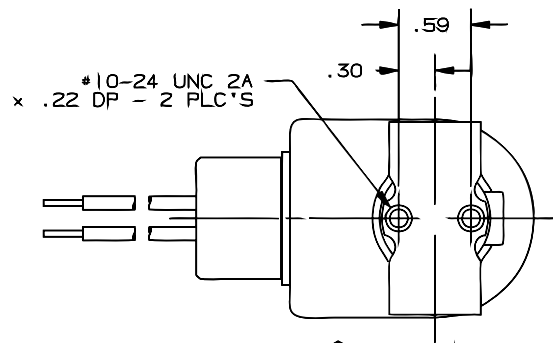
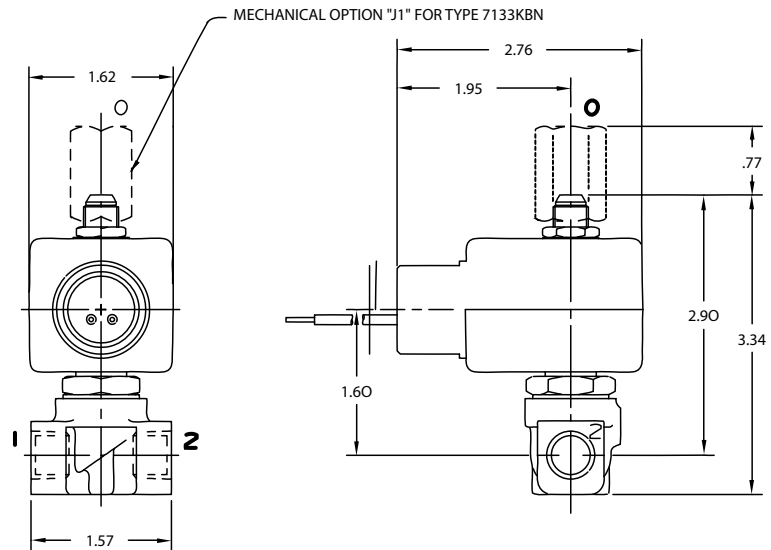


Valve Reference B9

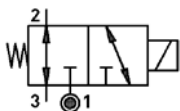


3-Way Universal
Port Identification

Pressure can be applied at either port

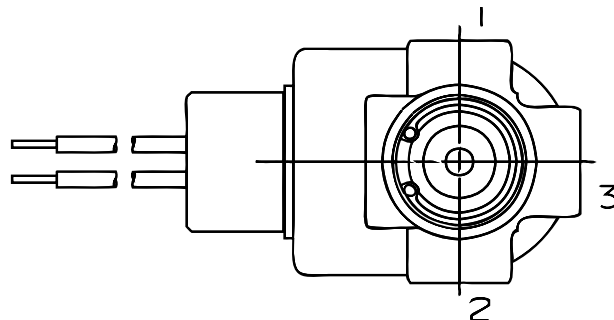
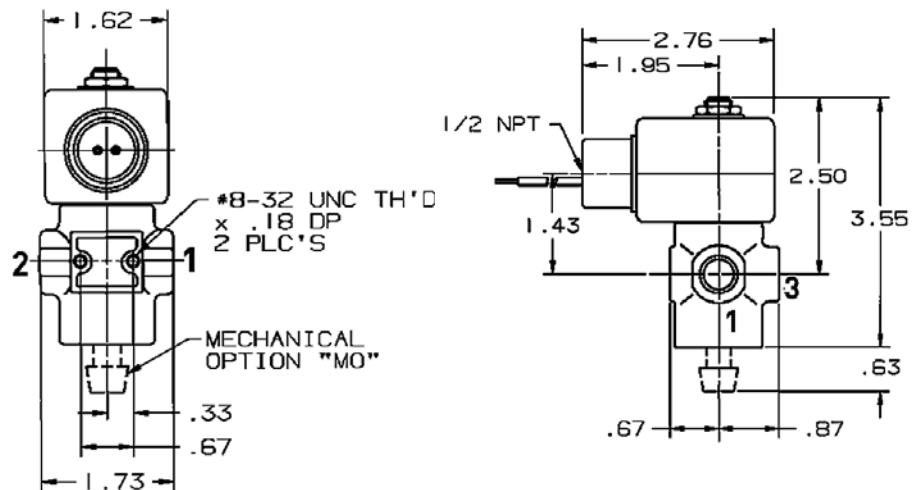


Valve Reference B10

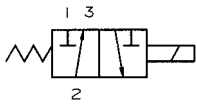


3-Way Universal
Port Identification

Pressure can be applied at either port

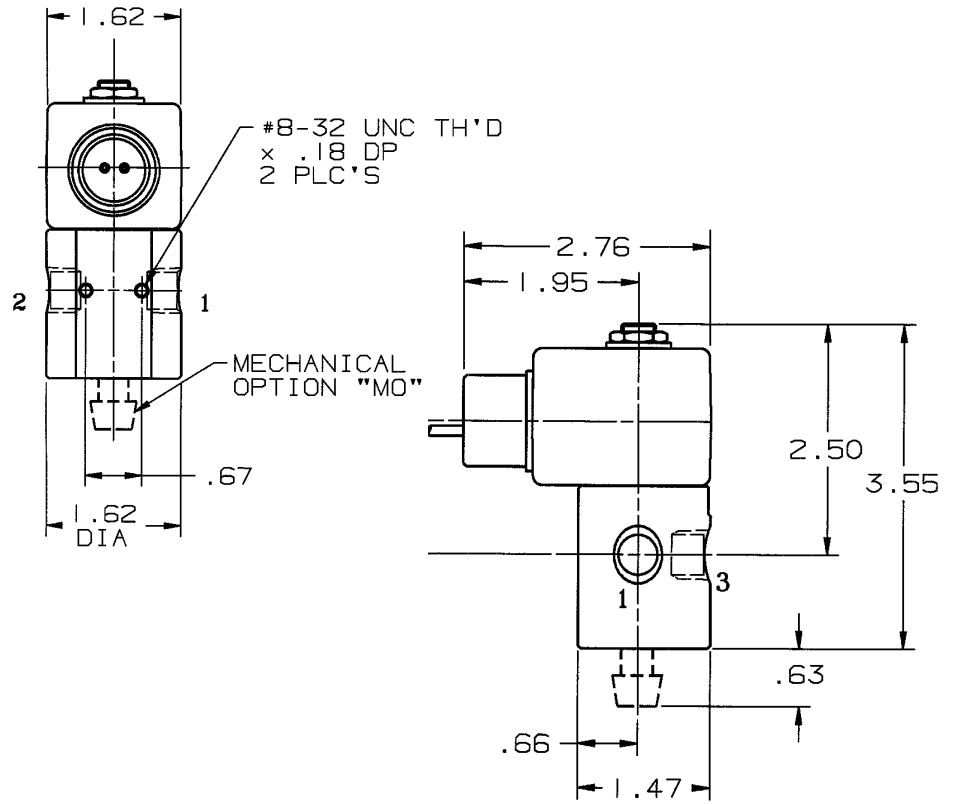


Valve Reference B11



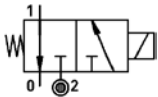
3-Way Normally Closed
Port Identification

1-Pressure / 2-Cylinder/ 3-Exhaust



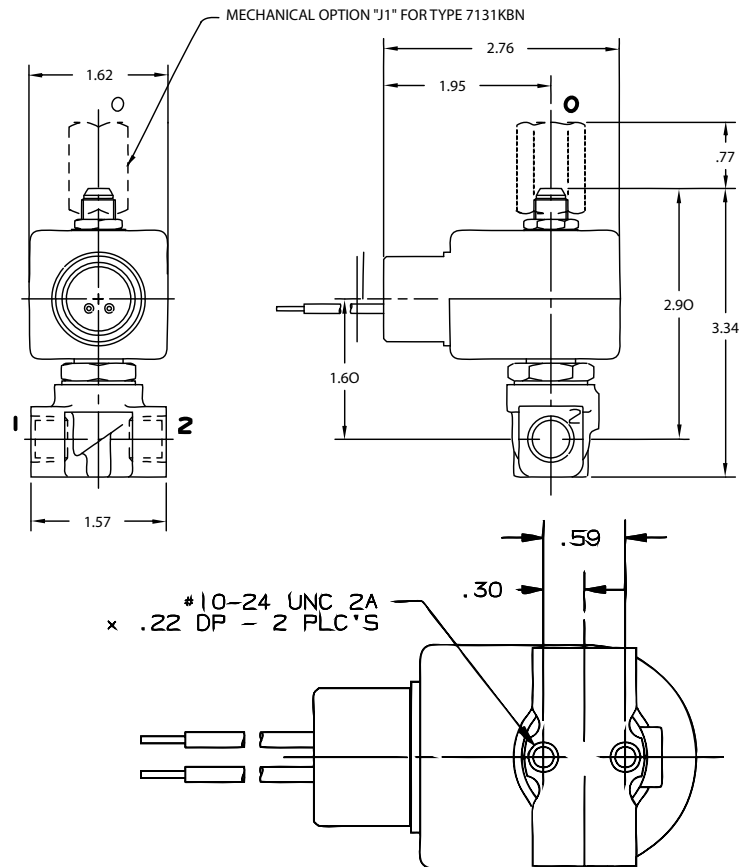
3-Way

Valve Reference B12

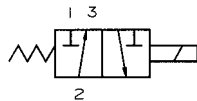


3-Way Normally Closed
Port Identification

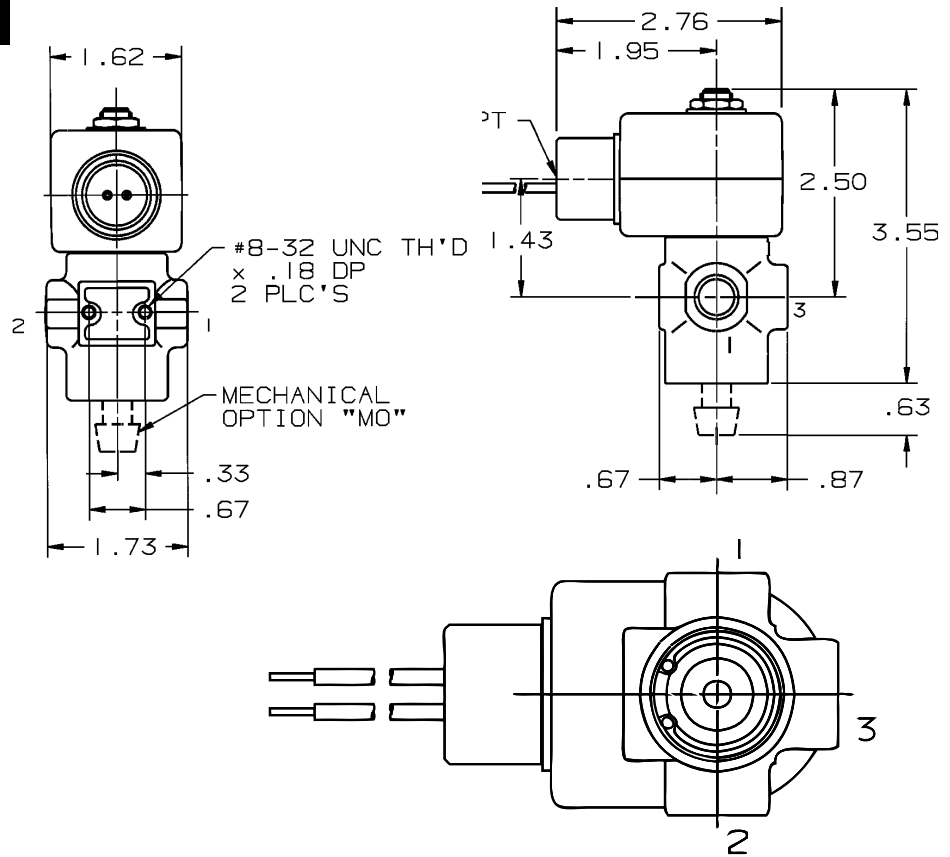
1-Cylinder/ 2-Pressure/ 0-Exhaust



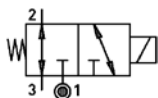
Valve Reference B13



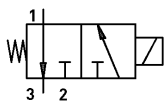
3-Way Normally Closed
Port Identification
1-Pressure/ 2-Cylinder/ 3-Exhaust



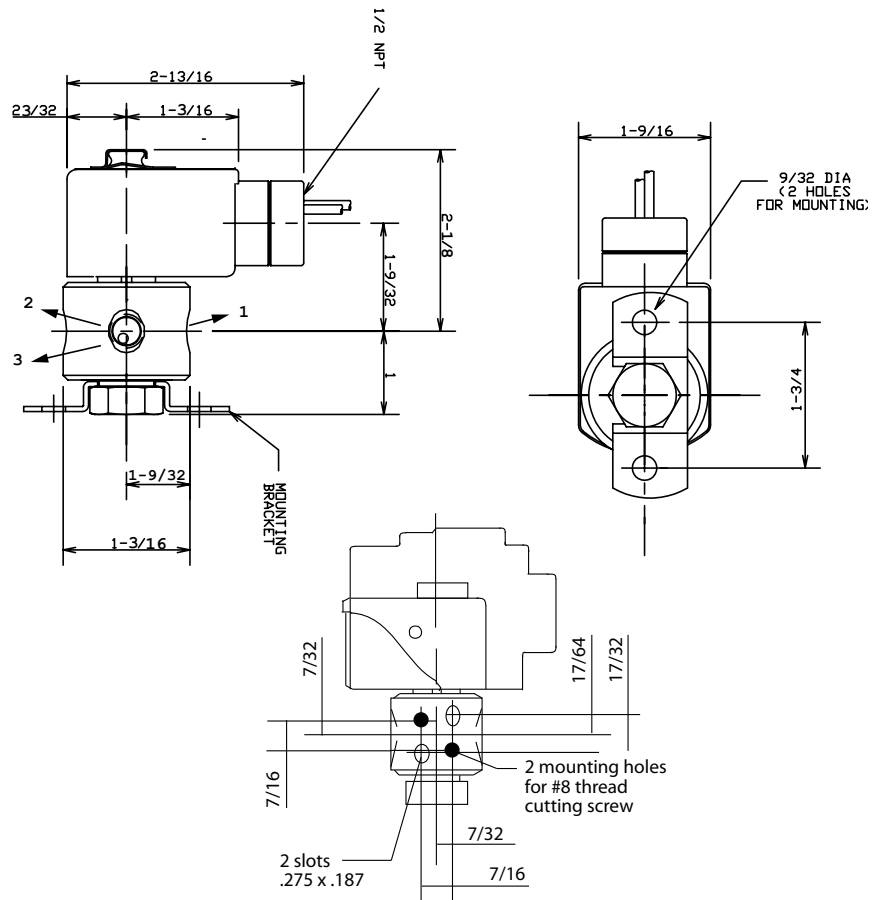
Valve Reference B14



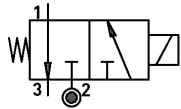
3-Way Universal
Port Identification
Pressure can be applied to either port.



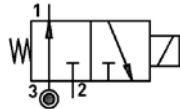
3-Way Normally Closed
Port Identification
Press - 2 | CYL-1 | EXH-3



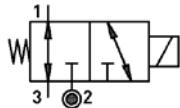
Valve Reference B15



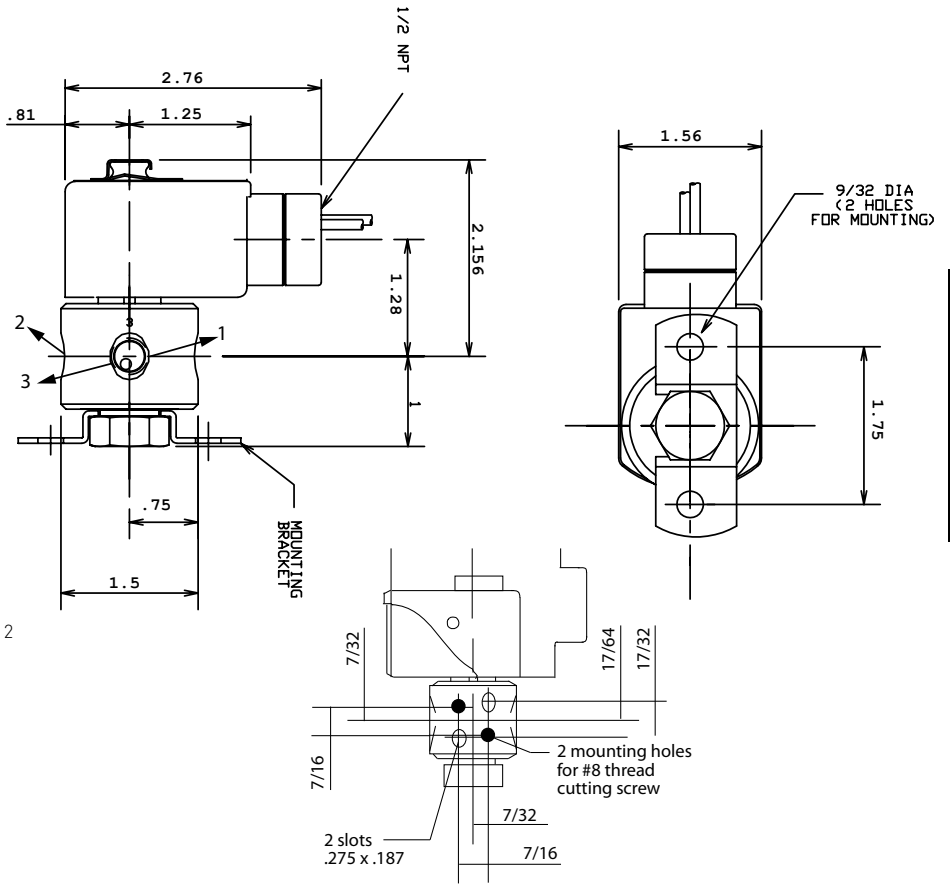
3-Way Normally Closed
04F30Cxx
Port Identification:
Press - 2 /CYL-1/EXH-3



3-Way Normally Open
04F300xx
Port Identification:
Press - 3/CYL -1/EXH - 2

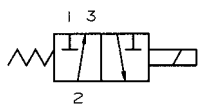


3-Way Universal
04F30Uxx
Port Identification:
Pressure can be applied at either port

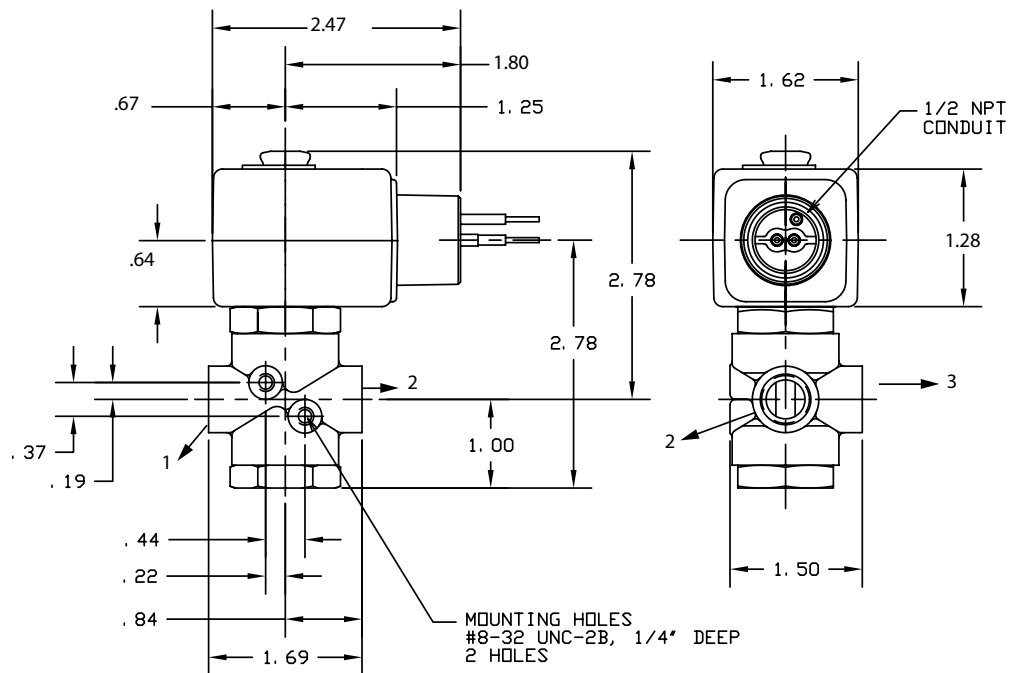


3-Way

Valve Reference B16



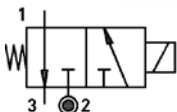
3-Way Normally Closed
Port Identification
1-Pressure/ 2-Cylinder/ 3-Exhaust



Valve Reference B17



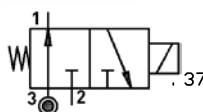
3-Way



3-Way Normally Closed
04F30Cxx

Port Identification:

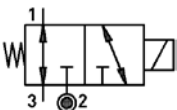
Press - 2 / CYL - 1 / EXH - 3



3-Way Normally Open
04F300xx

Port Identification:

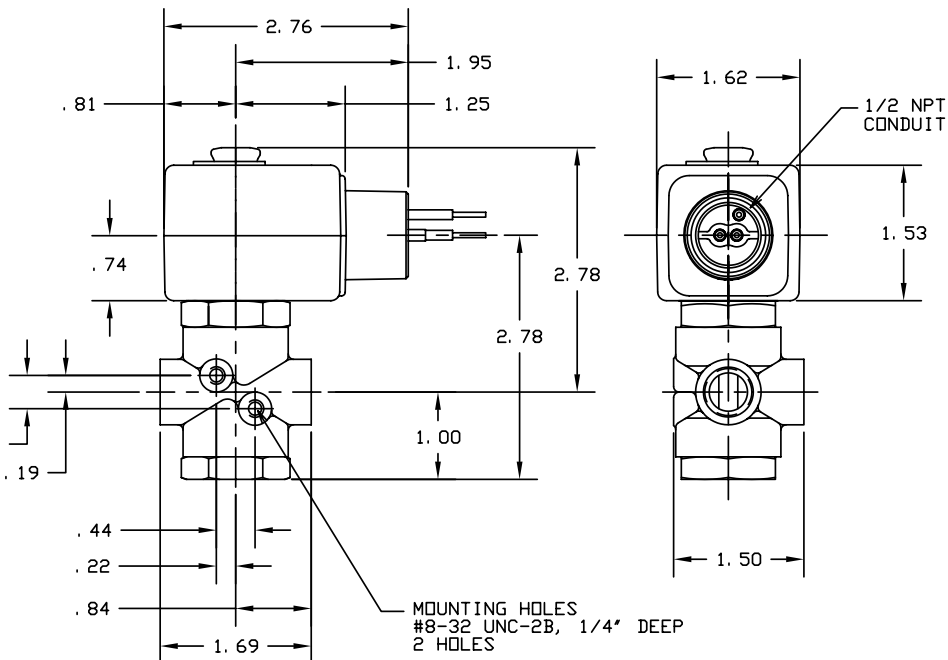
Press - 3 / CYL - 1 / EXH - 2



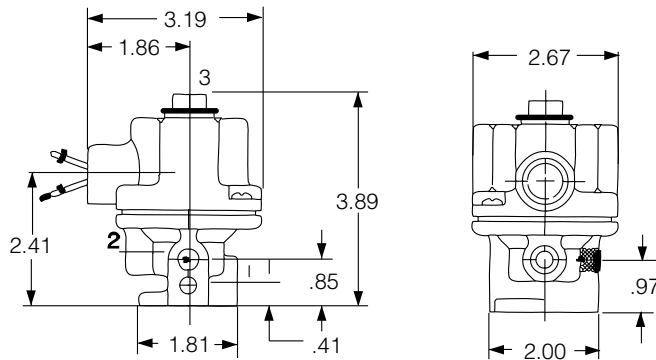
3-Way Universal
04F30Uxx

Port Identification:

Pressure can be applied at either port



Valve Reference B18



Port Identification:

A3 (NC)

A4 UNIV.

A5 (NO)

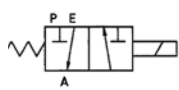
P IN
A Cylinder
E Exhaust

NC Common
NO

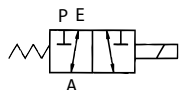
Exhaust
Cylinder
IN



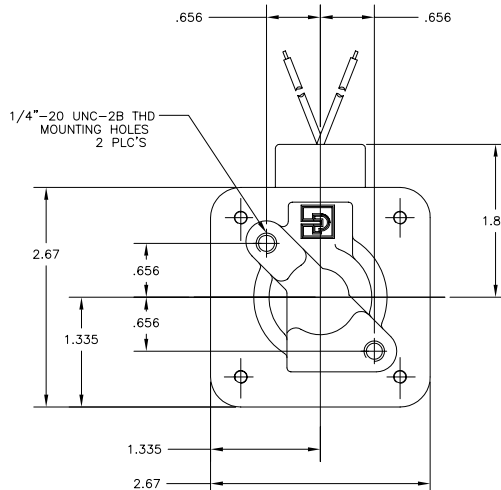
3-Way Normally Closed
A3



3-Way Normally Open
A4



3-Way Universal
A5



B22

www.comoso.com

Parker Hannifin Corporation
Fluid Control Division
1 800 825 8305 (1 800 Valve05)
www.parker.com/fcd

3-Way Direct Acting Materials of Construction**

Product*	Watt	Type	Port Size	Body	Sleeve Tube	Sleeve Stop	Sleeve Flange	"Plunger Blank"	Plunger Spring	Shading Ring	Max. Ambient Temp.
02F30C1	9.5	3WNC	1/8	Brass	305SS	430FR	416/ 430FR	430FR	17-7PH	Copper	77°F
02F30C3	9.5	3WNC	1/8	303SS	305SS	430FR	416/ 430FR	430FR	17-7PH	Silver	77°F
02F30C3	6	3WNC	1/8	303SS	305SS	430FR	12L14 Plated	430FR	17-7PH	Silver	130°F
02F30O1	9.5	3WNO	1/8	Brass	305SS	430FR	416/ 430FR	430FR	17-7PH	Copper	77°F
02F30O1	6	3WNO	1/8	Brass	305SS	430FR	12L14 Plated	430FR	17-7PH	Copper	130°F
02F30O3	9.5	3WNO	1/8	303SS	305SS	430FR	416/ 430FR	430FR	17-7PH	Silver	77°F
02F30O3	6	3WNO	1/8	303SS	305SS	430FR	12L14 Plated	430FR	17-7PH	Silver	130°F
02F30U1	9.5	3WU	1/8	Brass	305SS	430FR	416/ 430FR	430FR	17-7PH	Copper	77°F
02F30U3	6	3WU	1/8	303SS	305SS	430FR	12L14 Plated	430FR	17-7PH	Silver	130°F
02F30U3	10.2	3WU	1/8	303SS	305SS	430FR	416/ 430FR	430FR	17-7PH	Silver	77°F
04F30C3	11.5	3WNC	1/4	303SS	305SS	430FR	416/ 430FR	430FR	17-7PH	Silver	77°F
04F30C3	10.2	3WNC	1/4	303SS	305SS	430FR	416/ 430FR	430FR	17-7PH	Silver	77°F
04F30C3	11	3WNC	1/4	303SS	305SS	430FR	416/ 430FR	430FR	17-7PH	Silver	130°F
04F30O2	11.5	3WNO	1/4	Brass	305SS	430FR	416/ 430FR	430FR	17-7PH	Copper	77°F
04F30O2	11	3WNO	1/4	Brass	305SS	430FR	416/ 430FR	430FR	17-7PH	Copper	130°F
04F30O2	16	3WNO	1/4	Brass	305SS	430FR	416/ 430FR	430FR	17-7PH	Copper	77°F
04F30O3	11.5	3WNO	1/4	303SS	305SS	430FR	416/ 430FR	430FR	17-7PH	Silver	77°F
04F30O3	11	3WNO	1/4	303SS	305SS	430FR	416/ 430FR	430FR	17-7PH	Silver	130°F
04F30U2	11.5	3WU	1/4	Brass	305SS	430FR	416/ 430FR	430FR	17-7PH	Copper	77°F
04F30U3	16	3WU	1/4	303SS	305SS	430FR	416/ 430FR	430FR	17-7PH	Silver	77°F
71315SN	10	3WNC	1/8 - 1/4	430F	304SS	430FR	430F	430FR	18-8SS	Copper	150°F

* Shows first 7 digits of pressure vessel.

** Maximum ambient temperature shown is the rating when valve is operating at the maximum fluid temperature as shown in the product sections for each of the valves in this catalog.

