

# 2-Way

Direct Acting & Pilot Operated  
High Pressure  
1/8" - 3/4" NPT



## General Description:

2-Way Direct Acting and Pilot Operated High Pressure valves are generally installed where high pressure and large flow requirements dictate the use of piston valves and/or valves with more robust seals such as PTFE and Ruby discs\*. Pilot Operated valves require the minimum pressure differential specified for proper valve operation.

### Installation

Pilot Operated Valves should be mounted with solenoid coils vertical and upright. Direct Acting valves can be mounted in any position. The preferred orientation is with the coil vertical and upright.

### Standard Materials of Construction

Please refer to page A73.

### Compatible Fluids

Lubricated Air, Inert Gases, Water, Light Oil (300 SSU) and other non-compressible media.

Use of non-lubricated gaseous media can affect valve life.

## Electrical Characteristics:

### Standard Voltages:

AC -24/60  
120/60-110/50  
240/60-220/50

DC -12, 24 & 120

For other voltages – consult factory



### Coil Classification:

Class F standard  
Class H available

### Agency Approvals:

Standard valves with NEMA 4X or explosion proof solenoid enclosures are UL Listed and CSA Certified. For additional details, consult factory.

**Maximum Ambient Temperature**  
150°F

Please refer to page A73 for details.

## Applications:

- Blow molding
- Compressors
- Car washing equipment
- Pumps

\*Table 1:

Allowable Max. Seat Leakage Chart	
Valve	Leakage on gases
06F28, 08F28, 12F28	472 cc/min
73216	50 cc/min
7321H, 7322H	25 cc/min

**2-Way Direct Acting - High Pressure - Normally Closed - Brass**

Port Size NPT	Orifice Size in.	Flow Factor Cv	Operating Pressure Differential (MOPD) PSI				Watt	Max. Media Temp. °F	Seal*	Pressure Vessel Number	Reference	
			Min.	Air, Inert Gas	Water	Light Oil					Coil	Valve

**AC TECHNICAL SPECIFICATIONS**

1/8	1/16	0.11	0	1000	1000	1000	10	165	PCTFE	7121KBN1GF00	7	A65
1/8	3/32	0.24	0	725	725	725	22	210	RUBY	7121KBN1LR00	8	A65
1/8	3/32	0.24	0	500	500	500	10	210	RUBY	7121KBN1LR00	7	A65
1/8	1/8	0.31	0	365	365	365	10	165	PCTFE	7121KBN1NF00	7	A65
1/4	1/16	0.11	0	1450	1450	1450	22	210	RUBY	7121KBN2GR00	8	A65
1/4	1/16	0.11	0	1100	1100	1100	10	210	RUBY	7121KBN2GR00	7	A65
1/4	1/16	0.11	0	1000	1000	1000	10	165	PCTFE	7121KBN2GF00	7	A65
1/4	5/64	0.17	0	1030	1030	1030	22	210	RUBY	7121KBN2JR00	8	A65
1/4	5/64	0.17	0	700	700	700	10	210	RUBY	7121KBN2JR00	7	A65
1/4	3/32	0.24	0	725	725	725	22	210	RUBY	7121KBN2LR00	8	A65
1/4	3/32	0.24	0	500	500	500	10	210	RUBY	7121KBN2LR00	7	A65
1/4	1/8	0.31	0	525	525	525	22	210	RUBY	7121KBN2NR00	8	A65
1/4	1/8	0.31	0	365	365	365	10	165	PCTFE	7121KBN2NF00	7	A65
1/4	1/8	0.31	0	365	365	365	10	210	RUBY	7121KBN2NR00	7	A65

**DC TECHNICAL SPECIFICATIONS**

1/8	1/16	0.11	0	700	700	700	22	165	PCTFE	7121KBN1GF00	8	A65
1/8	1/16	0.11	0	435	435	435	10	165	PCTFE	7121KBN1GF00	7	A65
1/8	3/32	0.24	0	320	320	320	22	210	RUBY	7121KBN1LR00	8	A65
1/8	3/32	0.24	0	175	175	175	10	210	RUBY	7121KBN1LR00	7	A65
1/8	1/8	0.31	0	205	205	205	22	165	PCTFE	7121KBN1NF00	8	A65
1/8	1/8	0.31	0	125	125	125	10	165	PCTFE	7121KBN1NF00	7	A65
1/4	1/16	0.11	0	800	800	800	22	210	RUBY	7121KBN2GR00	8	A65
1/4	1/16	0.11	0	700	700	700	22	165	PCTFE	7121KBN2GF00	8	A65
1/4	1/16	0.11	0	435	435	435	10	210	RUBY	7121KBN2GR00	7	A65
1/4	1/16	0.11	0	435	435	435	10	165	PCTFE	7121KBN2GF00	7	A65
1/4	5/64	0.17	0	460	460	460	22	210	RUBY	7121KBN2JR00	8	A65
1/4	5/64	0.17	0	260	260	260	10	210	RUBY	7121KBN2JR00	7	A65
1/4	3/32	0.24	0	320	320	320	22	210	RUBY	7121KBN2LR00	8	A65
1/4	3/32	0.24	0	175	175	175	10	210	RUBY	7121KBN2LR00	7	A65
1/4	1/8	0.31	0	220	220	220	22	210	RUBY	7121KBN2NR00	8	A65
1/4	1/8	0.31	0	205	205	205	22	165	PCTFE	7121KBN2NF00	8	A65
1/4	1/8	0.31	0	125	125	125	10	210	RUBY	7121KBN2NR00	7	A65
1/4	1/8	0.31	0	125	125	125	10	165	PCTFE	7121KBN2NF00	7	A65

\*RUBY Seals: Allowable Seat leakage is 90 cc/min on air and inert gas at rated pressure: 7121KBNxxRxx



**2-Way Direct Acting - High Pressure - Normally Closed - Stainless Steel**

Port Size NPT	Orifice Size in.	Flow Factor Cv	Operating Pressure Differential (MOPD) PSI				Watt	Max. Media Temp. °F	Seal*	Pressure Vessel Number	Reference	
			Min.	Air, Inert Gas	Water	Light Oil					Coil	Valve

**AC TECHNICAL SPECIFICATIONS**

1/8	1/32	0.021	0	3000	3000	3000	10	185	NYLON	71216SN1BL00	7	A60
1/8	3/64	0.037	0	1500	1500	1500	10	185	RULON	71216SN1FU00	7	A60
1/8	3/64	0.060	0	1000	1000	1000	10	165	PCTFE	71215SN1EF00	7	A60
1/8	1/16	0.070	0	1250	1250	1250	10	185	NYLON	71216SN1GL00	7	A60
1/8	1/16	0.100	0	700	700	700	10	165	PCTFE	71215SN1GF00	7	A60
1/8	5/64	0.090	0	500	500	500	10	185	PTFE	71216SN1JT00	7	A60
1/8	3/32	0.180	0	650	650	650	22	165	PCTFE	71215SN1KF00	8	A60
1/8	3/32	0.180	0	260	260	260	10	165	PCTFE	71215SN1KF00	7	A60
1/8	1/8	0.280	0	520	520	520	22	165	PCTFE	71215SN1MF00	8	A60
1/8	1/8	0.280	0	200	200	200	10	165	PCTFE	71215SN1MF00	7	A60
1/4	1/32	0.021	0	3000	3000	3000	10	185	NYLON	71216SN2BL00	7	A60
1/4	3/64	0.037	0	1500	1500	1500	10	185	RULON	71216SN2FU00	7	A60
1/4	3/64	0.060	0	1000	1000	1000	10	165	PCTFE	71215SN2EF00	7	A60
1/4	1/16	0.070	0	1250	1250	1250	10	185	NYLON	71216SN2GL00	7	A60
1/4	5/64	0.090	0	500	500	500	10	185	PTFE	71216SN2JT00	7	A60
1/4	1/16	0.100	0	700	700	700	10	165	PCTFE	71215SN2GF00	7	A60
1/4	3/32	0.180	0	650	650	650	22	165	PCTFE	71215SN2KF00	8	A60
1/4	3/32	0.180	0	260	260	260	10	165	PCTFE	71215SN2KF00	7	A60
1/4	1/8	0.280	0	520	520	520	22	165	PCTFE	71215SN2MF00	8	A60
1/4	1/8	0.280	0	200	200	200	10	165	PCTFE	71215SN2MF00	7	A60

**DC TECHNICAL SPECIFICATIONS**

1/8	1/32	0.020	0	3000	3000	3000	22	185	NYLON	71216SN1BL00	8	A60
1/8	1/32	0.020	0	2500	2500	2500	10	185	NYLON	71216SN1BL00	7	A60
1/8	3/64	0.040	0	1000	1000	1000	10	185	RULON	71216SN1FU00	7	A60
1/8	3/64	0.060	0	1000	1000	1000	22	165	PCTFE	71215SN1EF00	8	A60
1/8	3/64	0.060	0	520	520	520	10	165	PCTFE	71215SN1EF00	7	A60

\* NYLON Seals: Allowable Seat leakage is 50 cc/min on air and inert gas at rated pressure: 71216SNxxLxx

RULON Seals: Allowable Seat leakage is 20 cc/min on air and inert gas at rated pressure: 71216SNxxUxx

PTFE Seals: Allowable Seat leakage is 20 cc/min on air and inert gas at rated pressure: 71216SNxxTxx

## 2-Way Direct Acting - High Pressure - Normally Closed - Stainless Steel (Continued)

Port Size NPT	Orifice Size in.	Flow Factor Cv	Operating Pressure Differential (MOPD) PSI				Watt	Max. Media Temp. °F	Seal*	Pressure Vessel Number	Reference	
			Min.	Air, Inert Gas	Water	Light Oil					Coil	Valve
<b>DC TECHNICAL SPECIFICATIONS</b>												
1/8	3/64	0.04	0	1500	1500	1500	22	185	RULON	71216SN1FU00	8	A60
1/8	1/16	0.07	0	1000	1000	1000	22	185	NYLON	71216SN1GL00	8	A60
1/8	1/16	0.07	0	500	500	500	10	185	NYLON	71216SN1GL00	7	A60
1/8	5/64	0.09	0	400	400	400	22	185	PTFE	71216SN1JT00	8	A60
1/8	5/64	0.09	0	200	200	200	10	185	PTFE	71216SN1JT00	7	A60
1/8	1/16	0.10	0	700	700	700	22	165	PCTFE	71215SN1GF00	8	A60
1/8	1/16	0.10	0	350	350	350	10	165	PCTFE	71215SN1GF00	7	A60
1/8	3/32	0.18	0	300	300	300	22	165	PCTFE	71215SN1KF00	8	A60
1/8	3/32	0.18	0	130	130	130	10	165	PCTFE	71215SN1KF00	7	A60
1/8	1/8	0.28	0	200	200	200	22	165	PCTFE	71215SN1MF00	8	A60
1/8	1/8	0.28	0	100	100	100	10	165	PCTFE	71215SN1MF00	7	A60
1/4	1/32	0.02	0	3000	3000	3000	22	185	NYLON	71216SN2BL00	8	A60
1/4	1/32	0.02	0	2500	2500	2500	10	185	NYLON	71216SN2BL00	7	A60
1/4	3/64	0.06	0	1000	1000	1000	22	165	PCTFE	71215SN2EF00	8	A60
1/4	3/64	0.06	0	520	520	520	10	165	PCTFE	71215SN2EF00	7	A60
1/4	3/64	0.04	0	1500	1500	1500	22	185	RULON	71216SN2FU00	8	A60
1/4	3/64	0.04	0	1000	1000	1000	10	185	RULON	71216SN2FU00	7	A60
1/4	1/16	0.07	0	1000	1000	1000	22	185	NYLON	71216SN2GL00	8	A60
1/4	1/16	0.07	0	500	500	500	10	185	NYLON	71216SN2GL00	7	A60
1/4	5/64	0.09	0	400	400	400	22	185	PTFE	71216SN2JT00	8	A60
1/4	5/64	0.09	0	200	200	200	10	185	PTFE	71216SN2JT00	7	A60
1/4	1/16	0.10	0	700	700	700	22	165	PCTFE	71215SN2GF00	8	A60
1/4	1/16	0.10	0	350	350	350	10	165	PCTFE	71215SN2GF00	7	A60
1/4	3/32	0.18	0	300	300	300	22	165	PCTFE	71215SN2KF00	8	A60
1/4	3/32	0.18	0	130	130	130	10	165	PCTFE	71215SN2KF00	7	A60
1/4	1/8	0.28	0	200	200	200	22	165	PCTFE	71215SN2MF00	8	A60
1/4	1/8	0.28	0	100	100	100	10	165	PCTFE	71215SN2MF00	7	A60

\* NYLON Seals: Allowable Seat leakage is 50 cc/min on air and inert gas at rated pressure: 71216SNxxLxx  
 RULON Seals: Allowable Seat leakage is 20 cc/min on air and inert gas at rated pressure: 71216SNxxUxx  
 PTFE Seals: Allowable Seat leakage is 20 cc/min on air and inert gas at rated pressure: 71216SNxxTxx



**2-Way Direct Acting - High Pressure - Normally Open - Brass**

Port Size NPT	Orifice Size in.	Flow Factor Cv	Operating Pressure Differential (MOPD) PSI				Watt	Max. Media Temp. °F	Seal	Pressure Vessel Number	Reference	
			Min.	Air, Inert Gas	Water	Light Oil					Coil	Valve

**AC TECHNICAL SPECIFICATIONS**

1/8	1/16	0.11	0	435	435	435	10	165	PCTFE	7122KBN1GF00	7	A65
1/8	3/32	0.21	0	175	175	175	10	165	PCTFE	7122KBN1LF00	7	A65
1/4	1/16	0.11	0	435	435	435	10	165	PCTFE	7122KBN2GF00	7	A65
1/4	3/32	0.21	0	175	175	175	10	165	PCTFE	7122KBN2LF00	7	A65

**DC TECHNICAL SPECIFICATIONS**

1/8	1/16	0.11	0	435	435	435	10	165	PCTFE	7122KBN1GF00	7	A65
1/8	3/32	0.21	0	175	175	175	10	165	PCTFE	7122KBN1LF00	7	A65
1/4	1/16	0.11	0	435	435	435	10	165	PCTFE	7122KBN2GF00	7	A65
1/4	3/32	0.21	0	175	175	175	10	165	PCTFE	7122KBN2LF00	7	A65

**2-Way Direct Acting - High Pressure - Normally Open - Stainless Steel**

Port Size NPT	Orifice Size in.	Flow Factor Cv	Operating Pressure Differential (MOPD) PSI				Watt	Max. Media Temp. °F	Seal	Pressure Vessel Number	Reference	
			Min.	Air, Inert Gas	Water	Light Oil					Coil	Valve

**AC TECHNICAL SPECIFICATIONS**

1/8	3/64	0.05	0	750	750	750	10	165	PCTFE	71225SN1EF00	7	A64
1/8	1/16	0.11	0	400	400	400	10	165	PCTFE	71225SN1GF00	7	A64
1/8	3/32	0.15	0	170	170	170	10	165	PCTFE	71225SN1KF00	7	A64
1/4	3/64	0.05	0	750	750	750	10	165	PCTFE	71225SN2EF00	7	A64
1/4	1/16	0.11	0	400	400	400	10	165	PCTFE	71225SN2GF00	7	A64
1/4	3/32	0.15	0	170	170	170	10	165	PCTFE	71225SN2KF00	7	A64

**DC TECHNICAL SPECIFICATIONS**

1/8	3/64	0.05	0	750	750	750	10	165	PCTFE	71225SN1EF00	7	A64
1/8	1/16	0.11	0	400	400	400	10	165	PCTFE	71225SN1GF00	7	A64
1/8	3/32	0.15	0	170	170	170	10	165	PCTFE	71225SN1KF00	7	A64
1/4	3/64	0.05	0	750	750	750	10	165	PCTFE	71225SN2EF00	7	A64
1/4	1/16	0.11	0	400	400	400	10	165	PCTFE	71225SN2GF00	7	A64
1/4	3/32	0.15	0	170	170	170	10	165	PCTFE	71225SN2KF00	7	A64

**2-Way Internal Pilot Operated - High Pressure - Normally Closed - Brass**

Port Size NPT	Orifice Size in.	Flow Factor Cv	Operating Pressure Differential (MOPD) PSI				Watt	Max. Media Temp. °F	Seal*	Pressure Vessel Number	Reference	
			Min.	Air, Inert Gas	Water	Light Oil					Coil	Valve

**AC TECHNICAL SPECIFICATIONS**

1/4	1/4	0.76	5	1500	1500	1500	10	210	PTFE	73216BN2MT00	7	A61
1/4	5/16	1.50	15	1500	1500	1500	11	200	DEL	04F28C1D20ACF	4	A56
1/4	5/16	2.50	5	600	600	600	10	185	NBR	7321HBN2SN00	7	A63
3/8	5/16	1.50	15	1500	1500	1500	11	200	DEL	06F28C1D20ACF	4	A57
3/8	7/16	3.50	5	600	600	600	10	185	NBR	7321HBN3TN00	7	A63
1/2	3/8	3.20	25	1500	1500	1500	11	200	DEL	08F28C1D24ACF	4	A58
1/2	9/16	4.10	5	600	600	600	10	185	NBR	7321HBN4UN00	7	A63
3/4	3/4	7.80	25	1000	1000	1000	11	200	DEL	12F28C1D48BCF	4	A59

**DC TECHNICAL SPECIFICATIONS**

1/4	5/16	2.50	5	600	600	600	22	185	NBR	7321HBN2SN00	8	A63
1/4	5/16	2.50	5	435	435	435	10	185	NBR	7321HBN2SN00	7	A63
1/4	1/4	0.76	5	1500	1500	1500	22	210	PTFE	73216BN2MT00	8	A61
1/4	1/4	0.76	5	800	800	800	10	210	PTFE	73216BN2MT00	7	A61
3/8	7/16	3.50	5	600	600	600	22	185	NBR	7321HBN3TN00	8	A63
3/8	7/16	3.50	5	435	435	435	10	185	NBR	7321HBN3TN00	7	A63
1/2	3/8	3.20	25	500	500	500	11.5	150	DEL	08F28C1D24A3F	6	A58
1/2	9/16	4.10	5	600	600	600	22	185	NBR	7321HBN4UN00	8	A63
1/2	9/16	4.10	5	435	435	435	10	185	NBR	7321HBN4UN00	7	A63
3/4	3/4	7.80	25	450	450	450	11.5	150	DEL	12F28C1D48A3F	6	A59

\* PTFE Seals: Allowable Seat leakage is 50 cc/min on air and inert gas at rated pressure: 73216BNxxTxx  
 DELRIN Seals: Allowable Seat leakage is 472 cc/min on air and inert gas at rated pressure: xxF28C1Dxxxx



**2-Way Internal Pilot Operated - High Pressure - Normally Closed - Stainless Steel**

Port Size NPT	Orifice Size in.	Flow Factor Cv	Operating Pressure Differential (MOPD) PSI				Watt	Max. Media Temp. °F	Seal*	Pressure Vessel Number	Reference	
			Min.	Air, Inert Gas	Water	Light Oil					Coil	Valve

**AC TECHNICAL SPECIFICATIONS**

1/4	1/4	0.76	5	1500	1500	1500	10	210	PTFE	73216SN2MT00	7	A62
-----	-----	------	---	------	------	------	----	-----	------	--------------	---	-----

**DC TECHNICAL SPECIFICATIONS**

1/4	1/4	0.76	5	1500	1500	1500	22	210	PTFE	73216SN2MT00	8	A62
1/4	1/4	0.76	5	800	800	800	10	210	PTFE	73216SN2MT00	7	A62

\* PTFE Seals: Allowable Seat leakage is 50 cc/min on air and inert gas at rated pressure: 73216BNxxTxx

DELTRIN Seals: Allowable Seat leakage is 472 cc/min on air and inert gas at rated pressure: xxF28C1Dxxxx

**2-Way Internal Pilot Operated - High Pressure - Normally Opened - Brass**

Port Size NPT	Orifice Size in.	Flow Factor Cv	Operating Pressure Differential (MOPD) PSI				Watt	Max. Media Temp. °F	Seal*	Pressure Vessel Number	Reference	
			Min.	Air, Inert Gas	Water	Light Oil					Coil	Valve

**AC TECHNICAL SPECIFICATIONS**

1/4	5/16	2.50	5	600	600	600	10	185	FKM	7322HBN2SV00	7	A63
-----	------	------	---	-----	-----	-----	----	-----	-----	--------------	---	-----

3/8	7/16	3.50	5	600	600	600	10	185	NBR	7322HBN3TN00	7	A63
-----	------	------	---	-----	-----	-----	----	-----	-----	--------------	---	-----

1/2	3/8	3.20	25	1000	1000	1000	11	200	DEL	08F28O1D24ACF	4	A58
-----	-----	------	----	------	------	------	----	-----	-----	---------------	---	-----

1/2	9/16	4.10	5	600	600	600	10	185	NBR	7322HBN4UN00	7	A63
-----	------	------	---	-----	-----	-----	----	-----	-----	--------------	---	-----

3/4	3/4	7.80	25	500	500	500	11	200	DEL	12F28O1D48BCF	4	A59
-----	-----	------	----	-----	-----	-----	----	-----	-----	---------------	---	-----

**DC TECHNICAL SPECIFICATIONS**

1/4	5/16	2.50	5	600	600	600	10	185	FKM	7322HBN2SV00	7	A63
-----	------	------	---	-----	-----	-----	----	-----	-----	--------------	---	-----

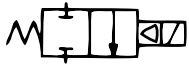
3/8	7/16	3.50	5	600	600	600	10	185	NBR	7322HBN3TN00	7	A63
-----	------	------	---	-----	-----	-----	----	-----	-----	--------------	---	-----

1/2	9/16	4.10	5	600	600	600	10	185	NBR	7322HBN4UN00	7	A63
-----	------	------	---	-----	-----	-----	----	-----	-----	--------------	---	-----

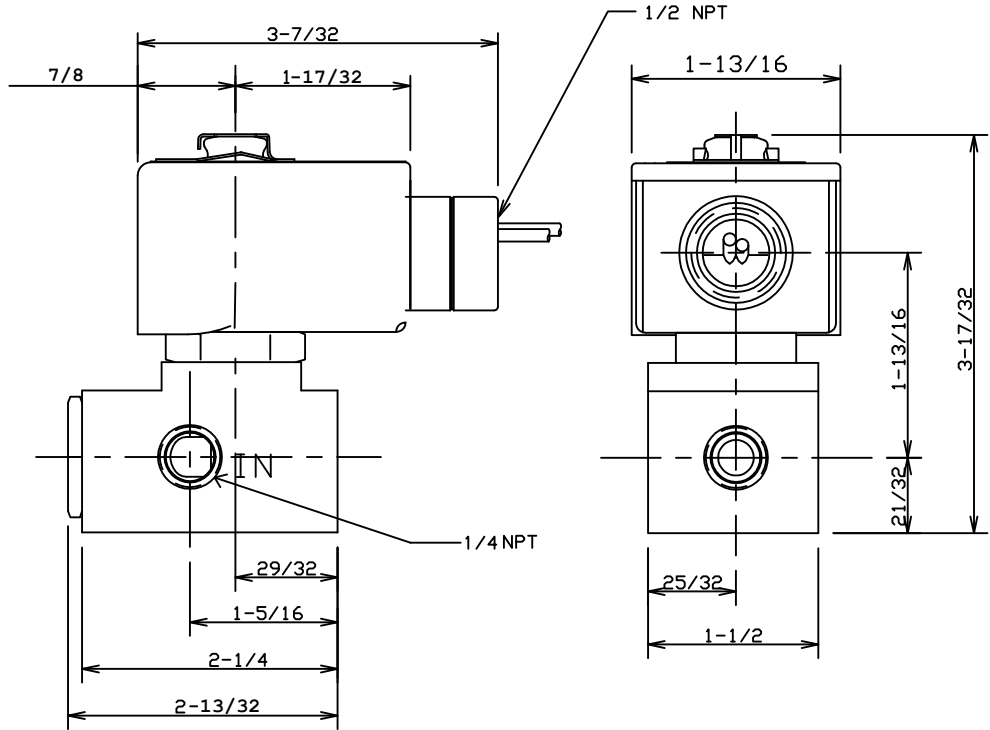
\* PTFE Seals: Allowable Seat leakage is 50 cc/min on air and inert gas at rated pressure: 73216BNxxTxx

DELTRIN Seals: Allowable Seat leakage is 472 cc/min on air and inert gas at rated pressure: xxF28O1Dxxxx

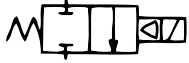
## Valve Reference A56



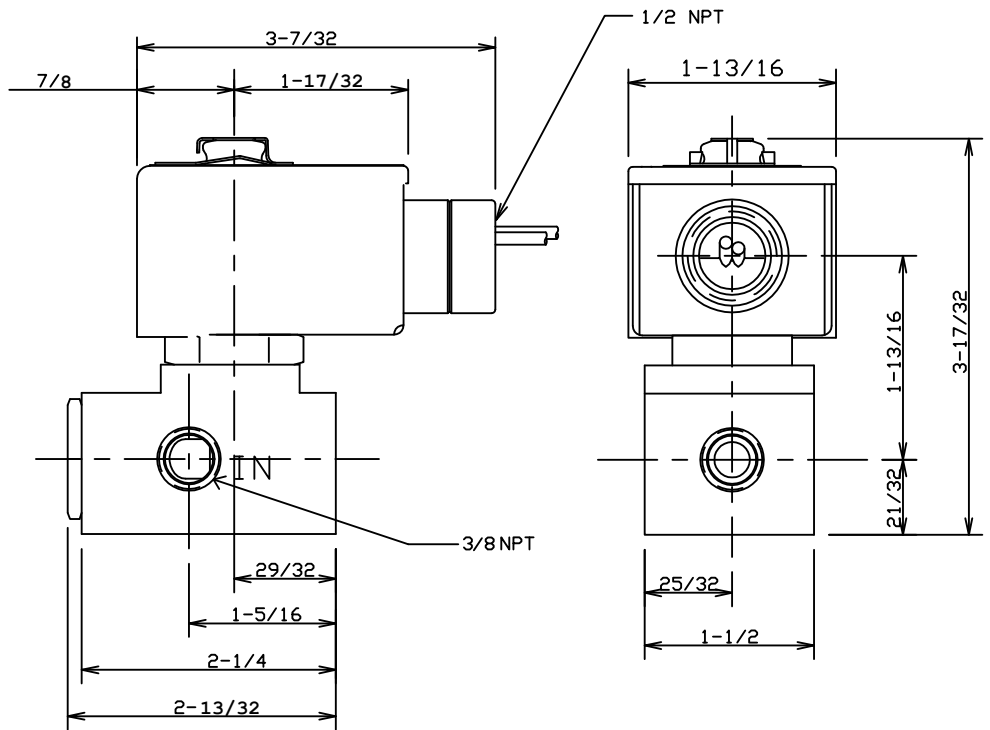
2-Way Normally Closed  
04F28Cxxx  
Port Identification:  
IN-IN/ OUT-OUT



## Valve Reference A57

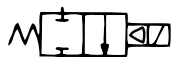


2-Way Normally Closed  
06F28Cxxx  
Port Identification:  
IN-IN/ OUT-OUT

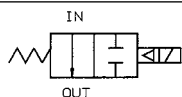




## Valve Reference A58

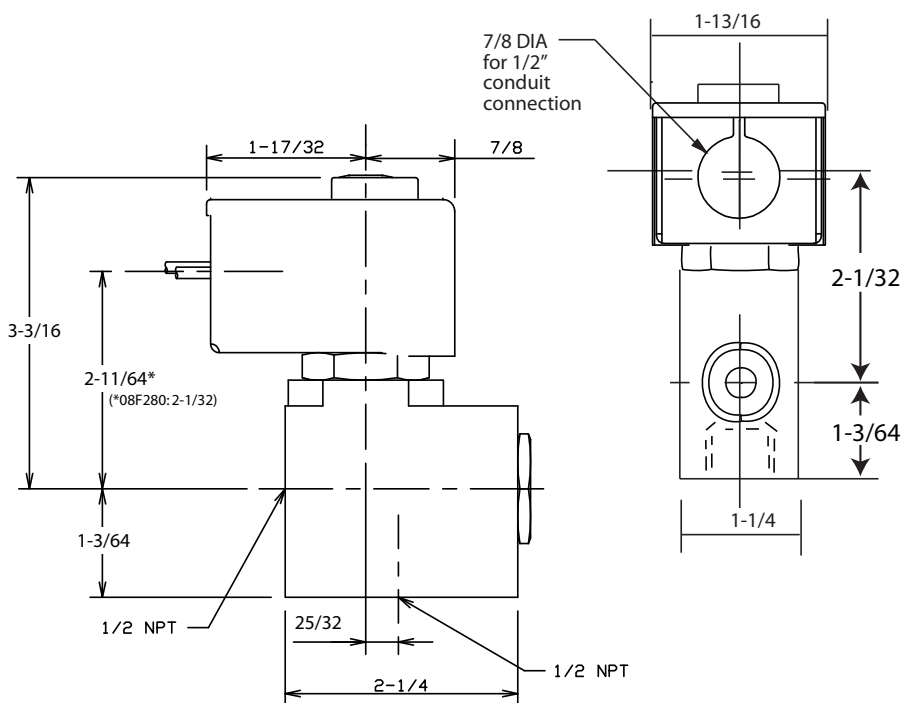


2-Way Normally Closed  
08F28Cxx



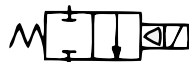
2-Way Normally Open  
08F280xx

Port Identification:  
IN-IN/ OUT-OUT

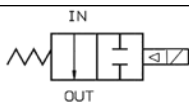


2-Way

## Valve Reference A59

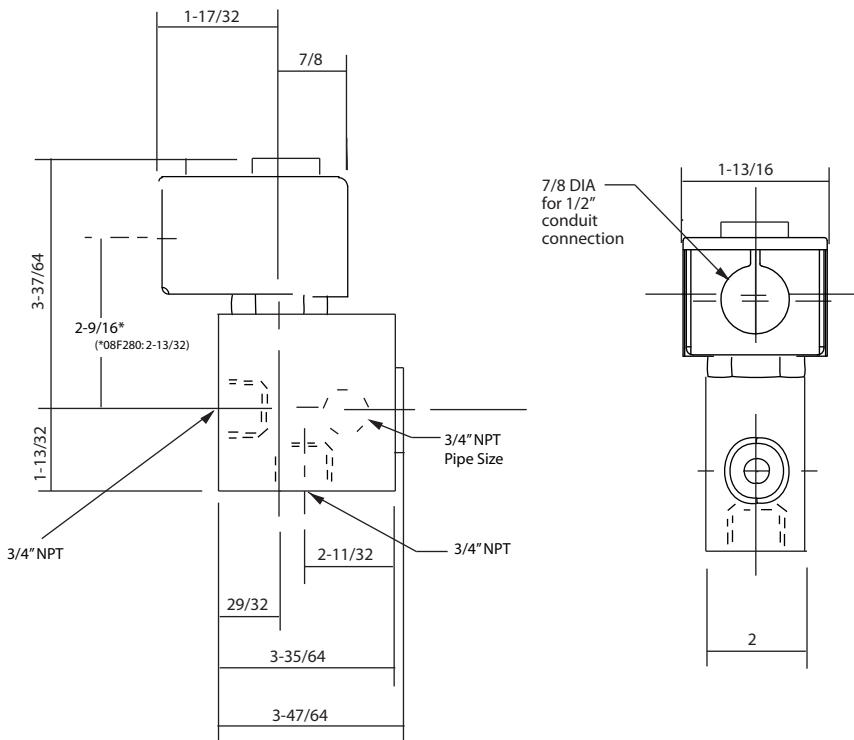


2-Way Normally Closed  
12F28Cxx



2-Way Normally Open  
12F280xx

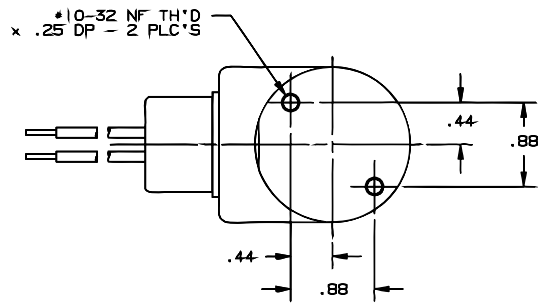
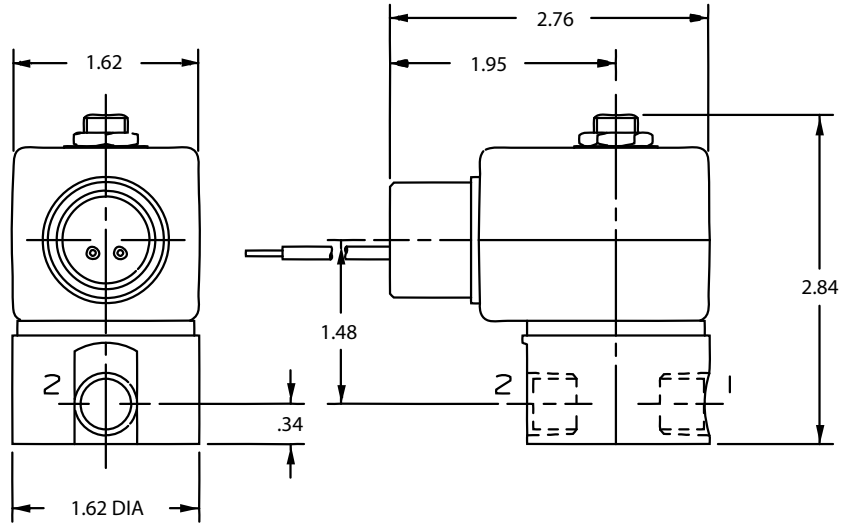
Port Identification:  
IN-IN/ OUT-OUT



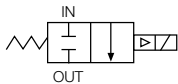
## Valve Reference A60



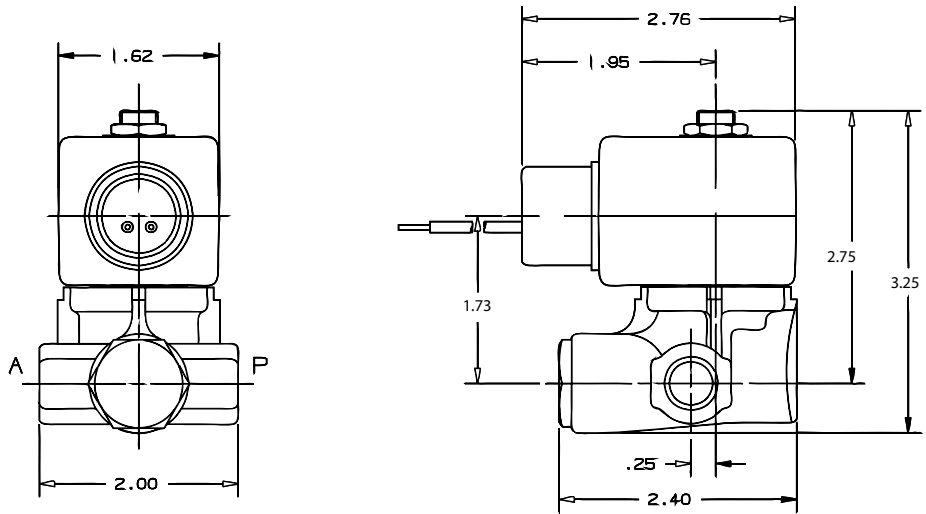
2-Way Normally Closed  
 Port Identification:  
 1-OUT/ 2-IN



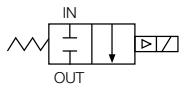
## Valve Reference A61



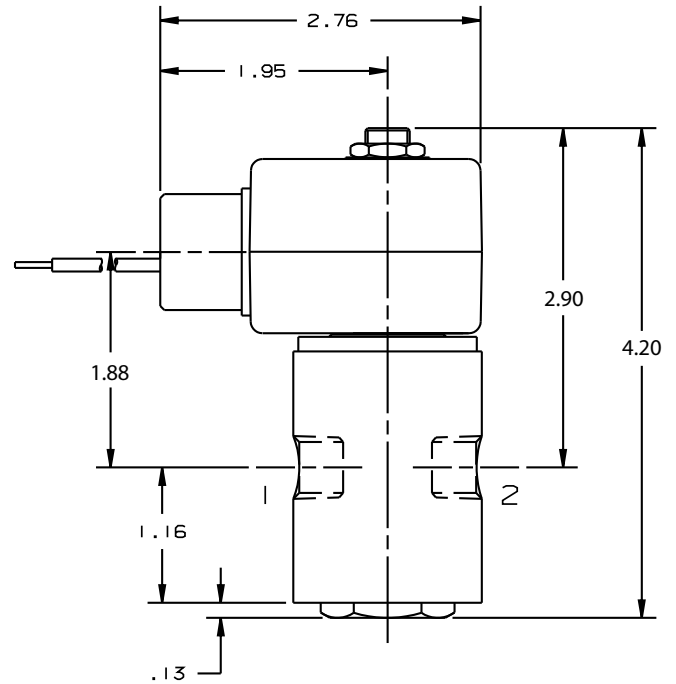
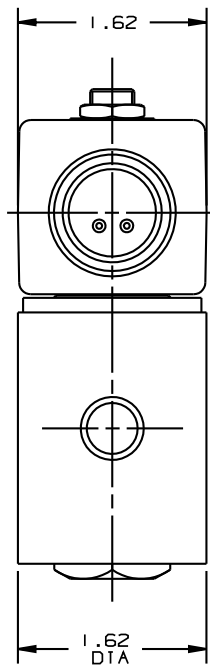
2-Way Normally Closed  
 Port Identification:  
 P-IN/ A-OUT



## Valve Reference A62

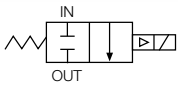


2-Way Normally Closed  
Port Identification:  
2-IN/ 1-OUT

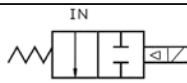


2-Way

## Valve Reference A63



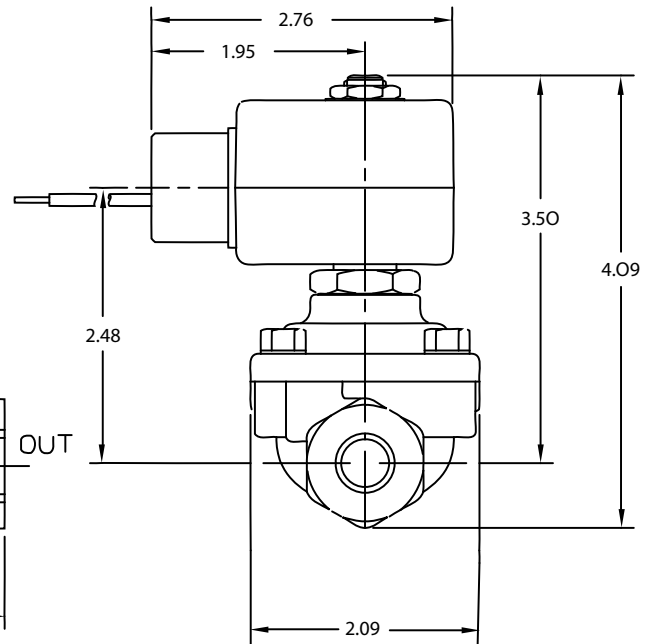
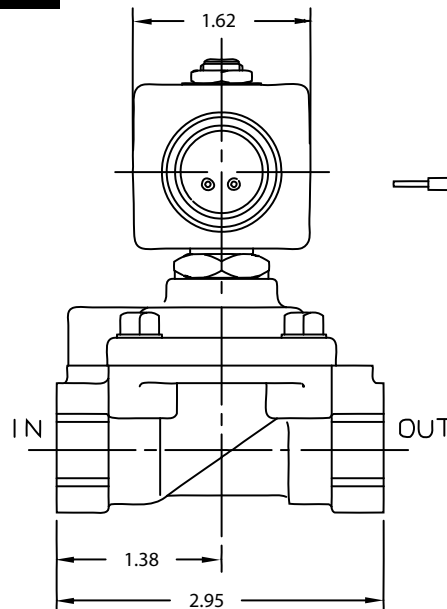
2-Way Normally Closed  
7321HBxx



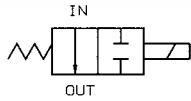
2-Way Normally Open  
7322HBxx

Port Identification:

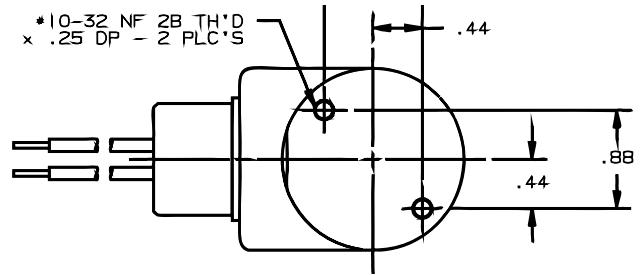
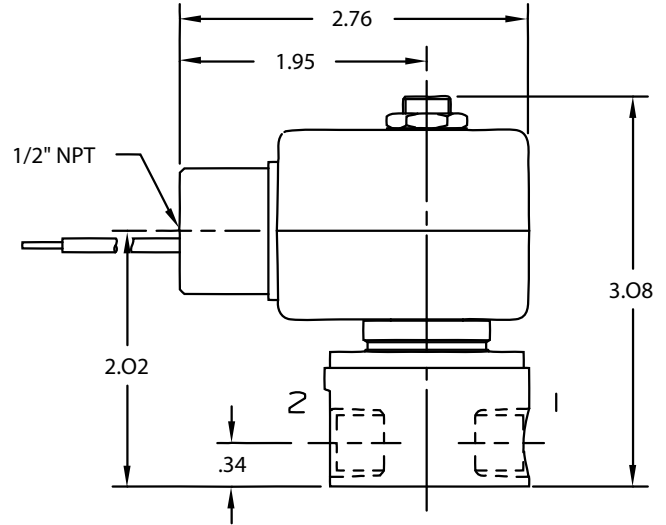
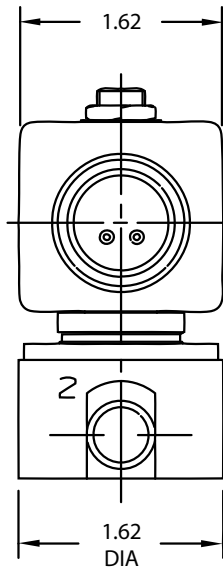
Flow arrow on body indicates flow direction. Ports are not marked.



### Valve Reference A64

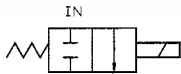


2-Way Normally Open  
Port Identification:  
2-IN/ 1-OUT

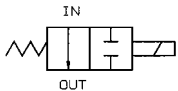


\*10-32 NF 2B TH'D  
x .25 DP - 2 PLC'S

### Valve Reference A65

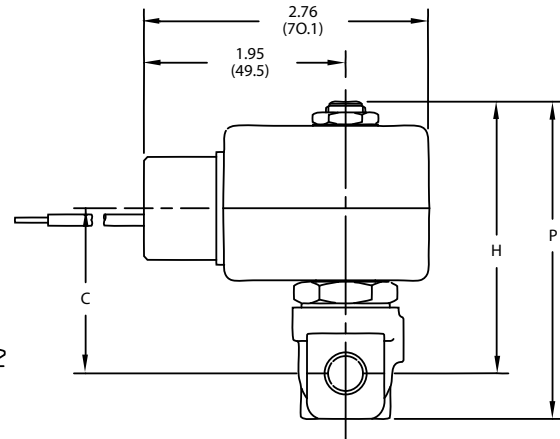
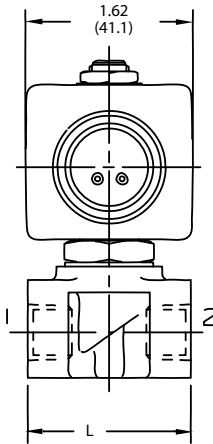


2-Way Normally Closed  
7121KBNxx

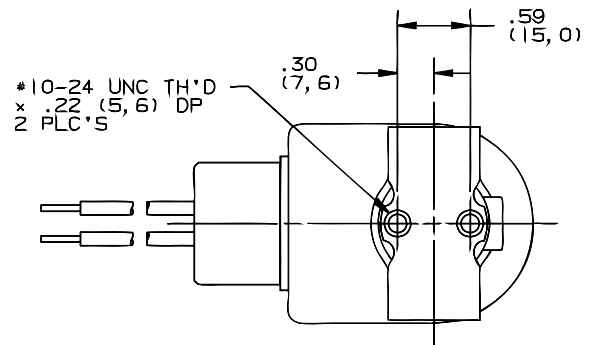


2-Way Normally Open  
7122KBNxx

Port Identification:  
1-IN/2-OUT



Valve	Dimensions			
	H	P	C	L
7121KBN1XXXX				
7121KBN2XXXX				
7122KBN1XXXX	2.63	3.07	1.61	1.57
7122KBN2XXXX				
7121KBN3XXXX	2.57	3.08	1.55	1.97



\*10-24 UNC TH'D  
x .22 (5,6) DP  
2 PLC'S



**2-Way Direct Acting Materials of Construction\*\***

Product*	Wattage	Type	Port Size	Body	Sleeve Tube	Sleeve Stop	Sleeve Flange	"Plunger Blank"	Plunger Spring	Shading Ring	Max. Ambient Temp.
71215SN	10	2WNC	1/8 - 3/8	430F	304SS	430FR	430F	430FR	18-8SS	Copper	150°F
71215SN	22	2WNC	1/8 - 3/8	430F	304SS	430FR	430F	430FR	18-8SS	Copper	77°F
71216SN	10	2WNC	1/8 - 1/4	430F	304SS	430FR	430F	430FR	18-8SS	Copper	150°F
71216SN	22	2WNC	1/8 - 1/4	430F	304SS	430FR	430F	430FR	18-8SS	Copper	77°F
7121KBN	10	2WNC	1/8 - 3/8	Brass	304SS	430FR	430F	430FR	18-8SS	Copper	150°F
7121KBN	22	2WNC	1/8 - 3/8	Brass	304SS	430FR	430F	430FR	18-8SS	Copper	77°F
71225SN	10	2WNO	1/8 - 1/4	430F	304SS	430FR	430F	430FR	18-8SS	Copper	150°F
71225SN	22	2WNO	1/8 - 1/4	430F	304SS	430FR	430F	430FR	18-8SS	Copper	77°F
7122KBN	10	2WNO	1/8 - 1/4	Brass	304SS	430FR	430F	430FR	301SS	Copper	150°F
7122KBN	22	2WNO	1/8 - 1/4	Brass	304SS	430FR	430F	430FR	301SS	Copper	77°F
73216BN	10	2WNC	1/4	Brass	304SS	430FR	430F	430FR	18-8SS	Copper	150°F
73216BN	22	2WNC	1/4	Brass	304SS	430FR	430F	430FR	18-8SS	Copper	77°F
73216SN	10	2WNC	1/4	316SS	304SS	430FR	430F	430FR	18-8SS	Copper	150°F
73216SN	22	2WNC	1/4	316SS	304SS	430FR	430F	430FR	18-8SS	Copper	77°F
7321HBN	10	2WNC	1/4 - 1/2	Brass	304SS	430FR	430F	430FR	301SS	Copper	150°F
7321HBN	22	2WNC	1/4 - 1/2	Brass	304SS	430FR	430F	430FR	301SS	Copper	77°F
7322HBN	10	2WNO	1/4 - 1/2	Brass	304SS	430FR/ 4106	430F/ 4144	430FR	301SS	Copper	150°F
7322HBN	22	2WNO	1/4 - 1/2	Brass	304SS	430FR/ 4106	430F/ 4144	430FR	301SS	Copper	77°F
04F28C1	11	2WNC	1/4	Brass	305SS	430FR	12L14 Plated	430FR	302SS	Copper	130°F
06F28C1	11	2WNC	3/8	Brass	305SS	430FR	12L14 Plated	430FR	302SS	Copper	130°F
08F28C1	11	2WNC	1/2	Brass	305SS	430FR	12L14 Plated	430FR	302SS	Copper	130°F
08F28C1	11.5	2WNC	1/2	Brass	305SS	430FR	12L14 Plated	430FR	302SS	Copper	77°F
08F28O1	11	2WNO	1/2	Brass	305SS	430FR	12L14 Plated	430FR	302SS	Copper	130°F
12F28C1	11.5	2WNC	3/4	Brass	305SS	430FR	12L14 Plated	430FR	302SS	Copper	77°F
12F28C1	11	2WNC	3/4	Brass	305SS	430FR	12L14 Plated	430FR	302SS	Copper	130°F
12F28O1	11	2WNO	3/4	Brass	305SS	430FR	12L14 Plated	430FR	302SS	Copper	130°F

\* Shows the first 7 digits of the pressure vessel part number.

\*\* Maximum ambient temperature shown is the rating when valve is operating at the maximum fluid temperature as shown in the product sections for each of the valves in this catalog.

Notes

Lined area for notes.

