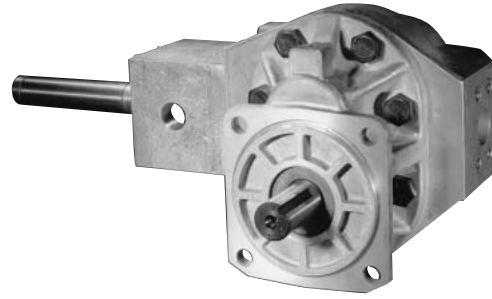


**Specifications
for DV25 Series**

Description Dry Valve Pumps
Flow Range To 99 GPM (374.7 LTR) @ 1200 RPM
Displacements To 19.22 C.I.R. (314.96 CC's/REV.)
Maximum Pressure to 3000 PSI (207 BAR)
Maximum Speed to 2500 RPM
Rotation A or C
Bearings Journal
Construction Aluminum



Performance Data

Pump Model	Section Size	Displacement/Revolution (Theoretical)					Maximum Pressure		Maximum Speed
		US Gallons	Cubic Inches	Liters	Cubic Centimeters	Imperial Gallons	PSI	BAR	RPM
DV25	300	.0262	6.05	.0992	99.142	.022	3000	207	2500
DV25	350	.0306	7.07	.1158	115.857	.026	3000	207	2500
DV25	400	.0350	8.08	.1324	132.408	.029	3000	207	2500
DV25	450	.0394	9.10	.1491	149.123	.033	3000	207	2500
DV25	500	.0435	10.05	.1647	164.690	.036	2500	172	2500
DV25	550	.0479	11.06	.1812	181.241	.040	2500	172	2500
DV25	660	.0581	13.42	.2200	219.915	.048	2500*	172	2500
DV25	770	.0671	15.50	.2540	254.000	.056	2500*	172	2500
DV25	950	.0832	19.22	.3150	314.960	.069	2500*	172	2500

Available with Viton® seals.
Consult factory for application of tandem units. *Consult factory for application approval.



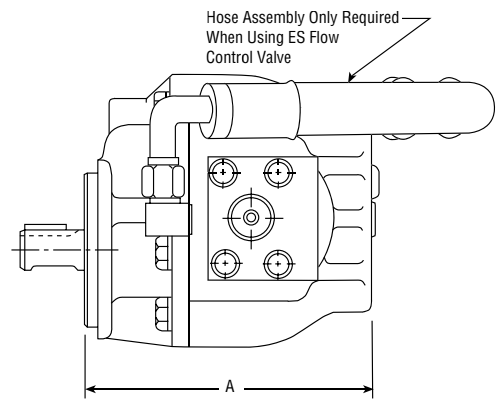
CAUTION: "Inlet vacuum" should not exceed 5" Hg at normal operating speed and temperature. Operation of pumps in excess of 5" Hg requires factory approval.

MOUNTING DIMENSIONS							
Pump Model	Dry Valve	A	B	C	D	E	F
DV25300	ER-200	223.7 (8.81)	157.7 (6.21)	101.6 (4.00)	222.2 (8.75)	50.8 (2.00)	532.3 (20.96)
DV25350	ER-200	223.7 (8.81)	157.7 (6.21)	101.6 (4.00)	222.2 (8.75)	50.8 (2.00)	532.3 (20.96)
DV25400	ER-200	223.7 (8.81)	157.7 (6.21)	101.6 (4.00)	222.2 (8.75)	50.8 (2.00)	532.3 (20.96)
DV25450	ER-200	223.7 (8.81)	157.7 (6.21)	101.6 (4.00)	222.2 (8.75)	50.8 (2.00)	532.3 (20.96)
DV25500	ER-250	8.63 (219.2)	157.7 (6.21)	101.6 (4.00)	222.2 (8.75)	82.5 (3.25**)	564.1 (22.21)
DV25550	ER-250	223.7 (8.81)	157.7 (6.21)	101.6 (4.00)	222.2 (8.75)	82.5 (3.25**)	564.1 (22.21)
DV25660	ER-250	230.1 (9.06)	157.7 (6.21)	101.6 (4.00)	222.2 (8.75)	82.5 (3.25**)	564.1 (22.21)
DV25770	ER-250	236.4 (9.31)	157.7 (6.21)	101.6 (4.00)	222.2 (8.75)	82.5 (3.25**)	564.1 (22.21)
DV25950	ER-250	252.7 (9.95)	157.7 (6.21)	146.0 (5.75*)	222.2 (8.75)	82.5 (3.25)	608.5 (23.96)

*Includes 1.75" for Adapter Kit 1677
 **Includes 1.25" for Adapter Kit 14190

Pump Model	PORTS			
	SAE 4-Bolt Conn.		Conn. Hole Dia.	
	Suction	Discharge	Suction	Discharge
DV25300	2"	1-1/4"	50.8 (2.00)	31.7 (1.25)
DV25350	2"	1-1/4"	50.8 (2.00)	31.7 (1.25)
DV25400	2"	1-1/4"	50.8 (2.00)	31.7 (1.25)
DV25450	2"	1-1/4"	50.8 (2.00)	31.7 (1.25)
DV25500	2-1/2"	1-1/2" ⁽²⁾	63.5 (2.50)	38.1 (1.50)
DV25550	2-1/2"	1-1/2" ⁽²⁾	63.5 (2.50)	38.1 (1.50)
DV25660	2-1/2"	1-1/2" ⁽²⁾	63.5 (2.50)	38.1 (1.50)
DV25770	2-1/2"	1-1/2" ⁽²⁾	63.5 (2.50)	38.1 (1.50)
DV25950	3" ⁽¹⁾	2"	76.2 (3.00)	50.8 (2.00)

(1)Requires Port Adapter Kit 16771 to mount ER250 valve
 (2)Requires Port Adapter Kit 14190 to mount ES valve



Inch equivalents for millimeter dimensions are shown in (**).

SAE 4-Bolt Connector Ports					
Size	G	H	J	K	L
1-1/4"	15.0 (.59)	30.2 (1.188)	29.2 (1.15)	58.7 (2.313)	7/16-14NC
1-1/2"	17.8 (.70)	35.7 (1.406)	34.8 (1.37)	69.8 (2.750)	1/2-13NC
2"	21.3 (.84)	42.9 (1.688)	38.9 (1.53)	77.8 (3.062)	1/2-13NC
2-1/2"	25.4 (1.00)	50.8 (2.000)	44.4 (1.75)	88.9 (3.500)	1/2-13NC
3"	30.7 (1.21)	61.9 (2.438)	53.1 (2.09)	106.4 (4.188)	5/8-11NC

