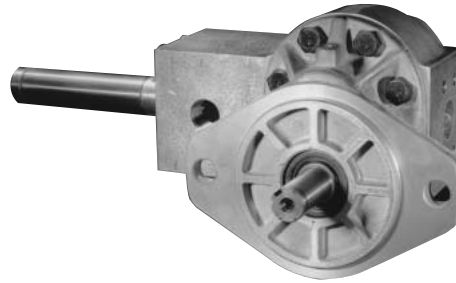


**Specifications
for DV20 Series**

Description Dry Valve Pumps
Flow Range To 47 GPM (177.9 LTR) @ 1200 RPM
Displacements To 9.101 C.I.R. (149.13 CC's/REV.)
Maximum Pressure to 2500 PSI (172 BAR)
Maximum Speed to 2500 RPM
Rotation A or C
Bearings Journal
Construction Aluminum



Performance Data

Pump Model	Section Size	Displacement/Revolution (Theoretical)					Maximum Pressure		Maximum Speed
		US Gallons	Cubic Inches	Liters	Cubic Centimeters	Imperial Gallons	PSI	BAR	RPM
DV20	150	.0131	3.026	.0496	49.587	.011	2500	172	2500
DV20	200	.0175	4.043	.0662	66.253	.015	2500	172	2500
DV20	250	.0219	5.059	.0829	82.902	.018	2500	172	2500
DV20	300	.0262	6.052	.0992	99.175	.022	2500(1)	172	2500
DV20	350	.0306	7.069	.1158	115.840	.025	2500(2)	172	2500
DV20	400	.0350	8.085	.1325	132.490	.029	2500	172	2500
DV20	450	.0394	9.101	.1491	149.139	.033	2500	172	2500

Notes: (1) 2100 PSI maximum due to torque limitations of No. 4 shaft. (2) 1800 PSI maximum due to torque limitations of No. 4 shaft.

All data based on SAE 10W oil at 150°F. Available with Viton® Seals.

*Case iron is not available on all models. Consult factory for availability. Consult factory for application of tandem units.



CAUTION: "Inlet vacuum" should not exceed 5" Hg at normal operating speed and temperature. Operation of pumps in excess of 5" Hg requires factory approval.

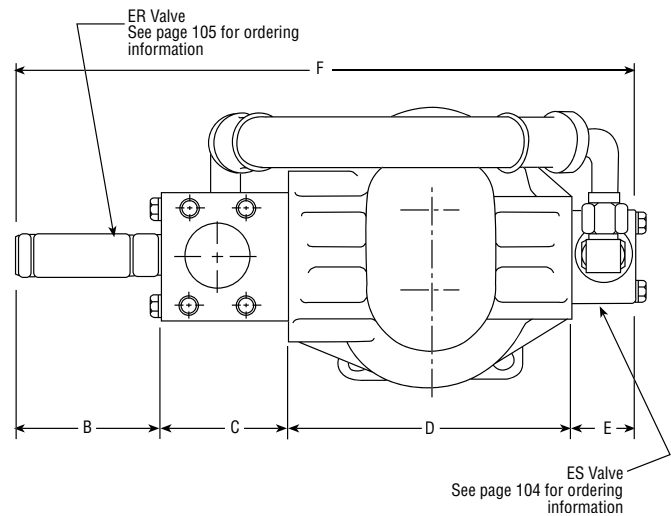
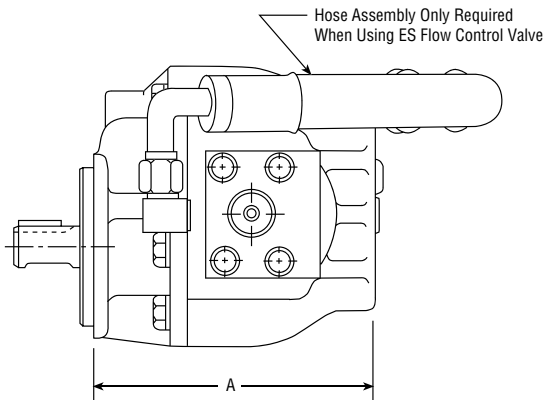
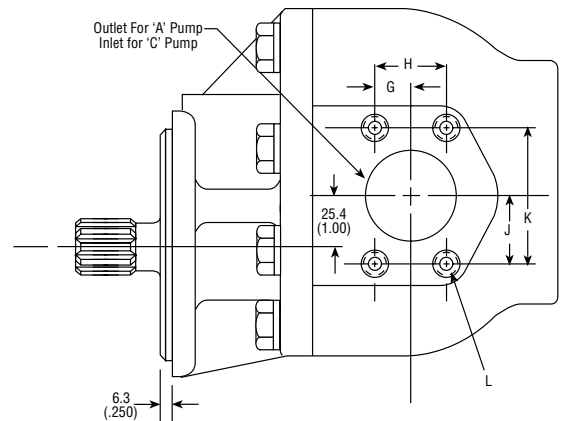
Mounting Dimensions

Pump Sizes	Dry Valve	A	B	C	D	E	F
DV20150	ER-125	167.9 (6.61)	111.8 (4.40)	76.2 (3.00)	133.4 (5.25)	N/A -	321.3 (12.65)
DV20200	ER-125	167.9 (6.61)	111.8 (4.40)	76.2 (3.00)	133.4 (5.25)	N/A N/A	321.3 (12.65)
DV20250	ER-150	167.9 (6.61)	111.8 (4.40)	76.2 (3.00)	133.4 (5.25)	58.8 (2.00)	372.1 (14.65)
DV20300	ER-150	175.3 (6.90)	111.8 (4.40)	76.2 (3.00)	133.4 (5.25)	58.8 (2.00)	372.1 (14.65)
DV20350	ER-150	182.4 (7.18)	111.8 (4.40)	76.2 (3.00)	133.4 (5.25)	58.8 (2.00)	372.1 (14.65)
DV20400	ER-200	189.7 (7.47)	157.7 (6.21)	101.6 (4.00)	133.4 (5.25)	58.8 (2.00)	443.5 (17.46)
DV20450	ER-200	196.9 (7.75)	157.7 (6.21)	101.6 (4.00)	133.4 (5.25)	58.8 (2.00)	443.5 (17.46)

Inch equivalents for millimeter dimensions are shown in (**).

Pump Size	SAE 4-Bolt Connector Ports			
	Inlet		Outlet	
	Conn. Sz.	Hole Dia.	Conn. Sz.	Hole Dia.
150	1-1/4"	30.2 (1.19)	1"	23.8 (.937)
200	1-1/4"	30.2 (1.19)	1"	23.8 (.937)
250	1-1/2"	38.1 (1.50)	1-1/4"	30.2 (1.19)
300	1-1/2"	38.1 (1.50)	1-1/4"	30.2 (1.19)
350	1-1/2"	38.1 (1.50)	1-1/4"	30.2 (1.19)
400	2"	50.8 (2.00)	1-1/4"	34.8 (1.37)
450	2"	50.8 (2.00)	1-1/4"	34.8 (1.37)

Size	G	H	J	K	L
1"	12.9 (.51)	26.2 (1.031)	26.2 (1.03)	57.4 (2.062)	3/8-16NC
1-1/4"	15.0 (.59)	30.2 (1.188)	29.2 (1.15)	58.8 (2.313)	7/16-14NC
1-1/2"	17.8 (.70)	35.7 (1.406)	34.8 (1.37)	69.8 (2.750)	1/2-13NC
2"	21.3 (.84)	42.9 (1.688)	38.9 (1.53)	77.8 (3.062)	1/2-13NC



SAE 4-Bolt NPT Connectors are available.
 See Accessory Section