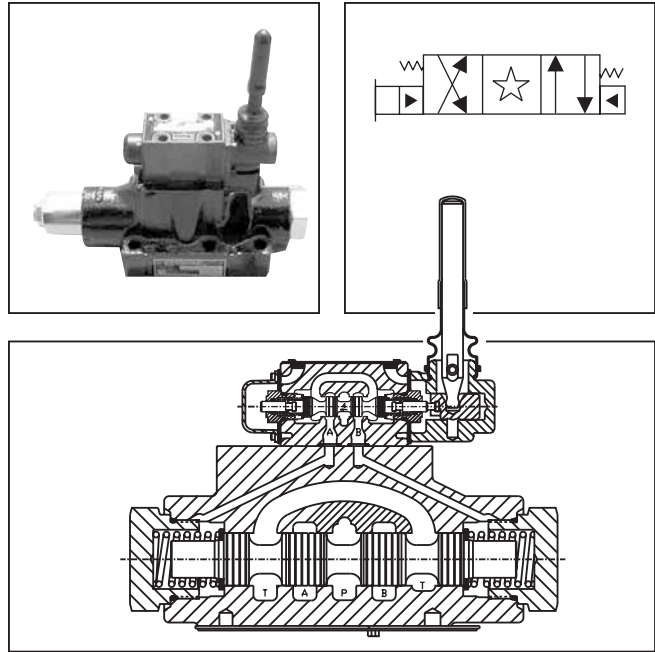


General Description

Series D61VL directional control valves are 5-chamber, lever operated valves. They are available in 2 and 3-position styles. They are manifold or sub-plate mounted valves, which conform to NFPA's D08, CETOP 8 mounting patterns.

Specifications

Mounting Pattern	NFPA D08, CETOP 8, NG25
Max. Operating Pressure	207 Bar (3000 PSI)
Max. Tank Pressure	Internal Drain Model: 34 Bar (500 PSI) External Drain Model: 207 Bar (3000 PSI)
Maximum Drain Pressure	34 Bar (500 PSI)
Maximum Flow	See Reference Data
Pilot Pressure	Oil Min. 6.9 Bar (100 PSI) Oil Max. 207 Bar (3000 PSI)
Response Time	Varies with pilot line size and length, pilot pressure, pilot valve shift time & flow capacity (GPM)



A

Features

- Low force required to shift spool.
- Hardened spools provide long life.
- Low pressure drop design.

Ordering Information

D Directional Control Valve	61V Basic Valve	L Lever Operated Pilot	□ Spool	□ Style	□ Pilot Supply and Drain	□ Seal	□ Valve Variations	□ Design Series																																																		
NFPA D08 CETOP 8																																																										
<table border="0"> <tr> <td>Code</td> <td>Symbol</td> <td>Code</td> <td>Symbol</td> </tr> <tr> <td>001</td> <td></td> <td>008*</td> <td></td> </tr> <tr> <td>002</td> <td></td> <td>009**</td> <td></td> </tr> <tr> <td>004</td> <td></td> <td>011</td> <td></td> </tr> <tr> <td></td> <td></td> <td>012</td> <td></td> </tr> </table>		Code	Symbol	Code	Symbol	001		008*		002		009**		004		011				012		<table border="0"> <tr> <td>Code</td> <td>Description</td> </tr> <tr> <td>1</td> <td>Int. pilot/Ext. drain</td> </tr> <tr> <td>2</td> <td>Ext. pilot/Ext. drain</td> </tr> <tr> <td>4#</td> <td>Int. pilot/Int. drain</td> </tr> <tr> <td>5</td> <td>Ext. pilot/Int. drain</td> </tr> </table> <p># Not available with 002, 008 & 009 spools.</p>		Code	Description	1	Int. pilot/Ext. drain	2	Ext. pilot/Ext. drain	4#	Int. pilot/Int. drain	5	Ext. pilot/Int. drain	<table border="0"> <tr> <td>Code</td> <td>Description</td> </tr> <tr> <td>N</td> <td>Nitrile</td> </tr> <tr> <td>V</td> <td>Fluorocarbon</td> </tr> </table>		Code	Description	N	Nitrile	V	Fluorocarbon	<table border="0"> <tr> <td>Code</td> <td>Description</td> </tr> <tr> <td>Omit</td> <td>Standard</td> </tr> <tr> <td>7</td> <td>Pilot Choke – Meter Out</td> </tr> <tr> <td>8</td> <td>Stroke Adj. 'B' End</td> </tr> <tr> <td>9</td> <td>Stroke Adj. 'A' End</td> </tr> <tr> <td>60</td> <td>Pilot Choke – Meter In</td> </tr> <tr> <td>89</td> <td>Stroke Adj. 'A' & 'B' Ends</td> </tr> </table>		Code	Description	Omit	Standard	7	Pilot Choke – Meter Out	8	Stroke Adj. 'B' End	9	Stroke Adj. 'A' End	60	Pilot Choke – Meter In	89	Stroke Adj. 'A' & 'B' Ends	<p>NOTE: Not required when ordering.</p>
Code	Symbol	Code	Symbol																																																							
001		008*																																																								
002		009**																																																								
004		011																																																								
		012																																																								
Code	Description																																																									
1	Int. pilot/Ext. drain																																																									
2	Ext. pilot/Ext. drain																																																									
4#	Int. pilot/Int. drain																																																									
5	Ext. pilot/Int. drain																																																									
Code	Description																																																									
N	Nitrile																																																									
V	Fluorocarbon																																																									
Code	Description																																																									
Omit	Standard																																																									
7	Pilot Choke – Meter Out																																																									
8	Stroke Adj. 'B' End																																																									
9	Stroke Adj. 'A' End																																																									
60	Pilot Choke – Meter In																																																									
89	Stroke Adj. 'A' & 'B' Ends																																																									

* 008 spool has closed crossover.
 ** 009 spool has open crossover.

Valve schematic symbols are per NFPA/ANSI standards, providing flow P to A when energizing operator A. Note operators reverse sides for #8 and #9 spools. See installation information for details.

Valve Weight: 12.1 kg (26.7 lbs.)
Standard Bolt Kit: BK227
Metric Bolt Kit: BKM227
Seal Kit:
 Nitrile SKD61VL
 Fluorocarbon SKD61VLV

Code	Description	Symbol
B*	Single operator, 2 position, spring offset. P to A and B to T in offset position.	
C	Double operator, 3 position, spring centered.	
D*	Double operator, 2 position, detent.	
E	Single operator, 2 position, spring centered. P to B and A to T in shifted position.	
H*	Single operator, 2 position, spring offset. P to B and A to T in offset position.	
K	Single operator, 2 position. Spring centered. P to A and B to T in shifted position.	

*Available with 001, 002, 004, 011, 012.

This condition varies with spool code.

Bold: Designates Tier I products and options.

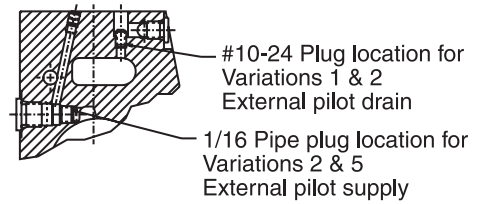
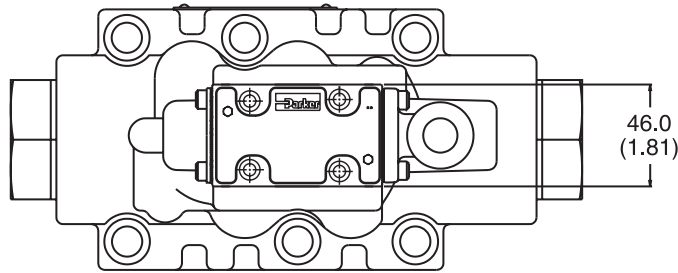
Non-Bold: Designates Tier II products and options. These products will have longer lead times.

D61.indd, dd

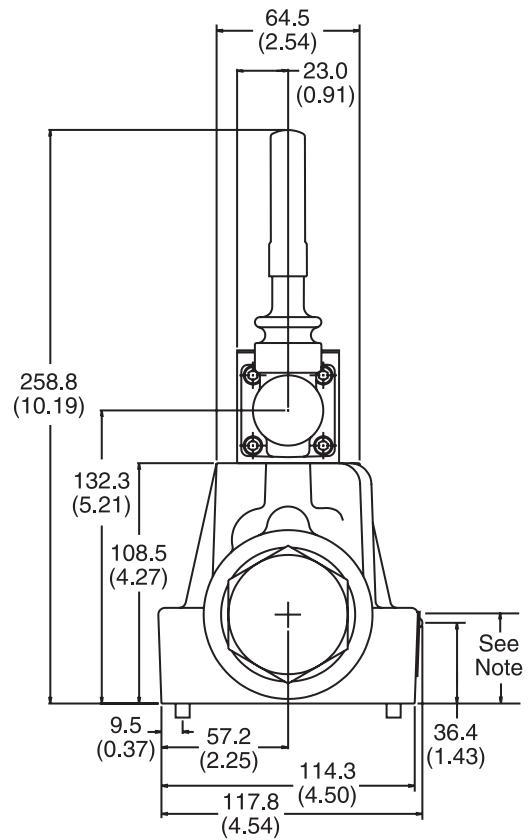
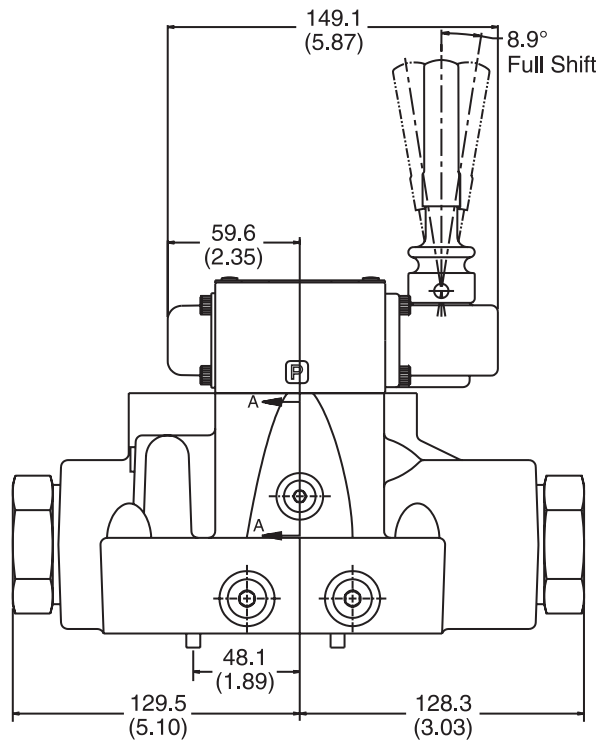


Inch equivalents for millimeter dimensions are shown in (**)

A



SECTION A-A



Note: 41.9mm (1.65") from bottom of bolt counterbore.