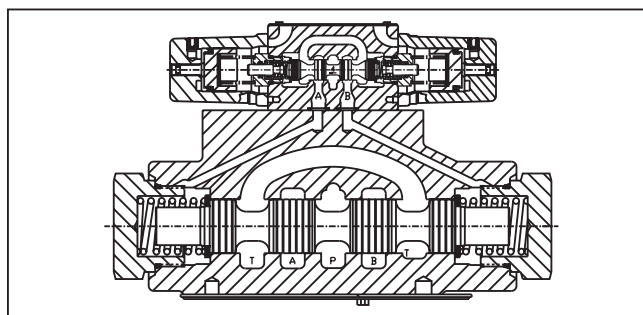
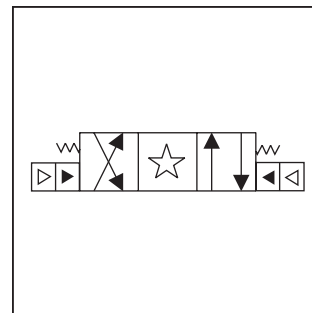
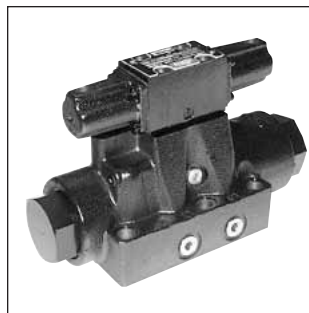


General Description

Series D61VA directional control valves are 5-chamber, air pilot operated valves. They are available in 2 or 3-position styles. These valves are manifold or subplate mounted, and conform to NFPA's D08, CETOP 8 mounting patterns.

Specifications

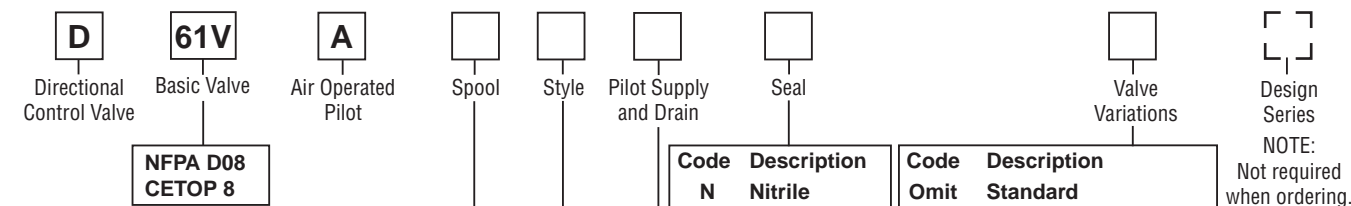
Mounting Pattern	NFPA D08, CETOP 8, NG25
Max. Operating Pressure	207 Bar (3000 PSI)
Max. Tank Pressure	Internal Drain Model: 34 Bar (500 PSI) External Drain Model: 207 Bar (3000 PSI)
Max. Drain Pressure	34 Bar (500 PSI)
Maximum Flow	See Reference Data
Pilot Pressure	Air Min. 3.4 Bar (50 PSI) Air Max. 10.2 Bar (150 PSI)
Response Time	Varies with pilot line size and length, pilot pressure, pilot valve shift time & flow capacity (GPM)



Features

- Low pressure drop.
- Fast response option available.
- Hardened spools provide long life.

Ordering Information



Code	Symbol	Code	Symbol
001		008*	
002		009**	
004		011	
		012	

* 008 spool has closed crossover.
 ** 009 spool has open crossover.

Valve schematic symbols are per NFPA/ANSI standards, providing flow P to A when energizing operator A. Note operators reverse sides for #8 and #9 spools. See installation information for details.

- Valve Weight:** 12.4 kg (27.3 lbs.)
Standard Bolt Kit: BK227
Metric Bolt Kit: BKM227
Seal Kit:
 Nitrile SKD61VA
 Fluorocarbon SKD61VAV

Code	Description
N	Nitrile
V	Fluorocarbon

Code	Description
1	Int. pilot/Ext. drain
2	Ext. pilot/Ext. drain
4#	Int. pilot/Int. drain
5	Ext. pilot/Int. drain

Not available with 002, 008 & 009 spools.

Code	Description
Omit	Standard
7	Pilot Choke – Meter-out
8	Stroke Adj. 'B' End
9	Stroke Adj. 'A' End
60	Pilot Choke – Meter-in
89	Stroke Adj. 'A' & 'B' Ends
90	1/4 BSPP Threads

Code	Description	Symbol
B	Single operator, 2 position, spring offset. P to A and B to T in offset position.	
C	Double operator, 3 position, spring centered.	
D	Double operator, 2 position, detent.	
E	Single operator, 2 position, spring offset to center. P to B and A to T in shifted position.	
H	Single operator, 2 position, spring offset. P to B and A to T in offset position.	
K	Single operator, 2 position. Spring offset to center. P to A and B to T in shifted position.	

This condition varies with spool code.

Bold: Designates Tier I products and options.

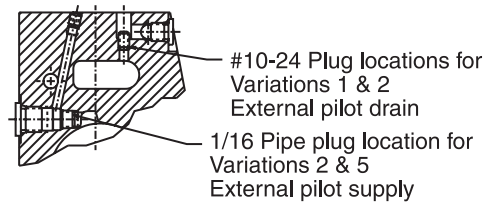
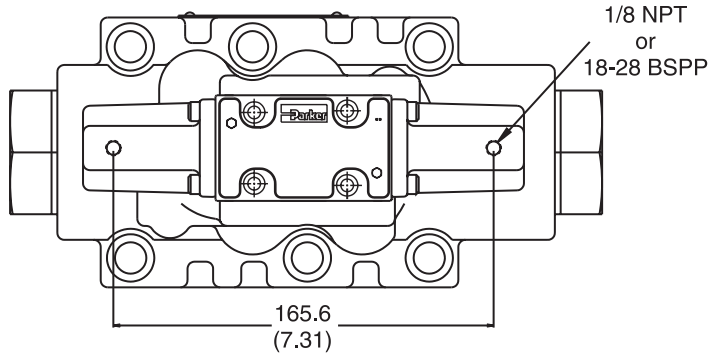
Non-Bold: Designates Tier II products and options. These products will have longer lead times.

D61.indd, dd

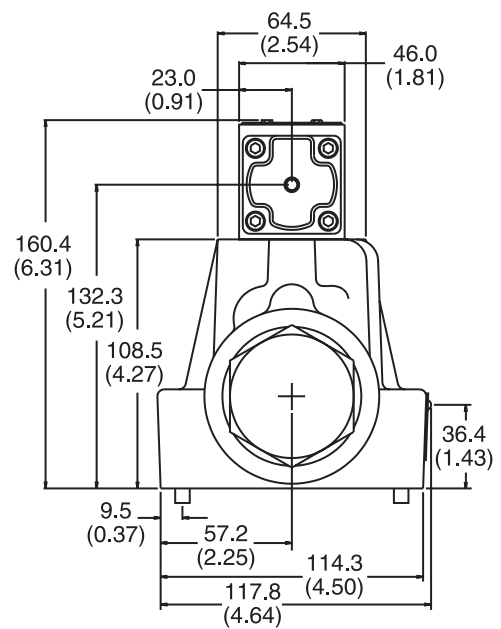
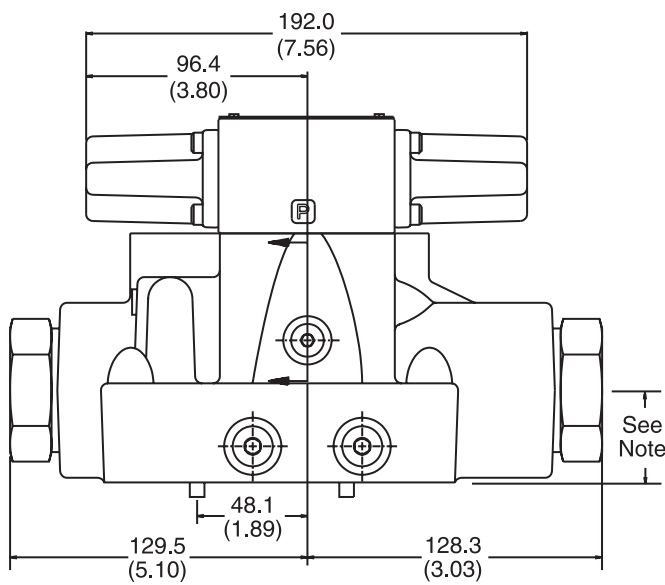


Inch equivalents for millimeter dimensions are shown in (**)

A



SECTION A-A



Note: 41.9mm (1.65") from bottom of bolt hole counterbore to bottom of valve.

