



aerospace  
climate control  
electromechanical  
**filtration**  
fluid & gas handling  
hydraulics  
pneumatics  
process control  
sealing & shielding



# PT Series

Tank Top Filters



ENGINEERING YOUR SUCCESS.

# PT Series

## Applications

### Together we can...

**P**reserve the environment.  
Minimize waste and promote energy efficiency.

**A**chieve worldwide filtration solutions.  
Build global confidence.

**R**edefine new limits.  
Forge ahead with advanced technology.

**K**eep contamination under control.  
Reduce maintenance costs.

**E**nhance total system reliability.  
Focus on customer satisfaction.

**R**each optimum potential.  
Drill to greater depths.

...engineer your success.



The new PT series filter is available in two diameters and three lengths for flow ranges from 5-50 gpm. The PT2 and PT4 filter cartridges utilize Microglass media in 2, 5, 10 and 20 microns for the industry's best particle removal efficiency and retention.

This unique design simply threads into a ported weld ring or flange, which can be bolted to a metal reservoir.

The disposable filter cartridge is a single-piece construction, which incorporates the nylon cover and integral 25 psi bypass valve. The flow path is inside-out and requires no special tools for service.

This concept assures minimal installation costs with the least space requirements for return line applications.

### Typical Applications

- Turf Maintenance
- Material Handling
- Aerial Lifts
- Fan Drive

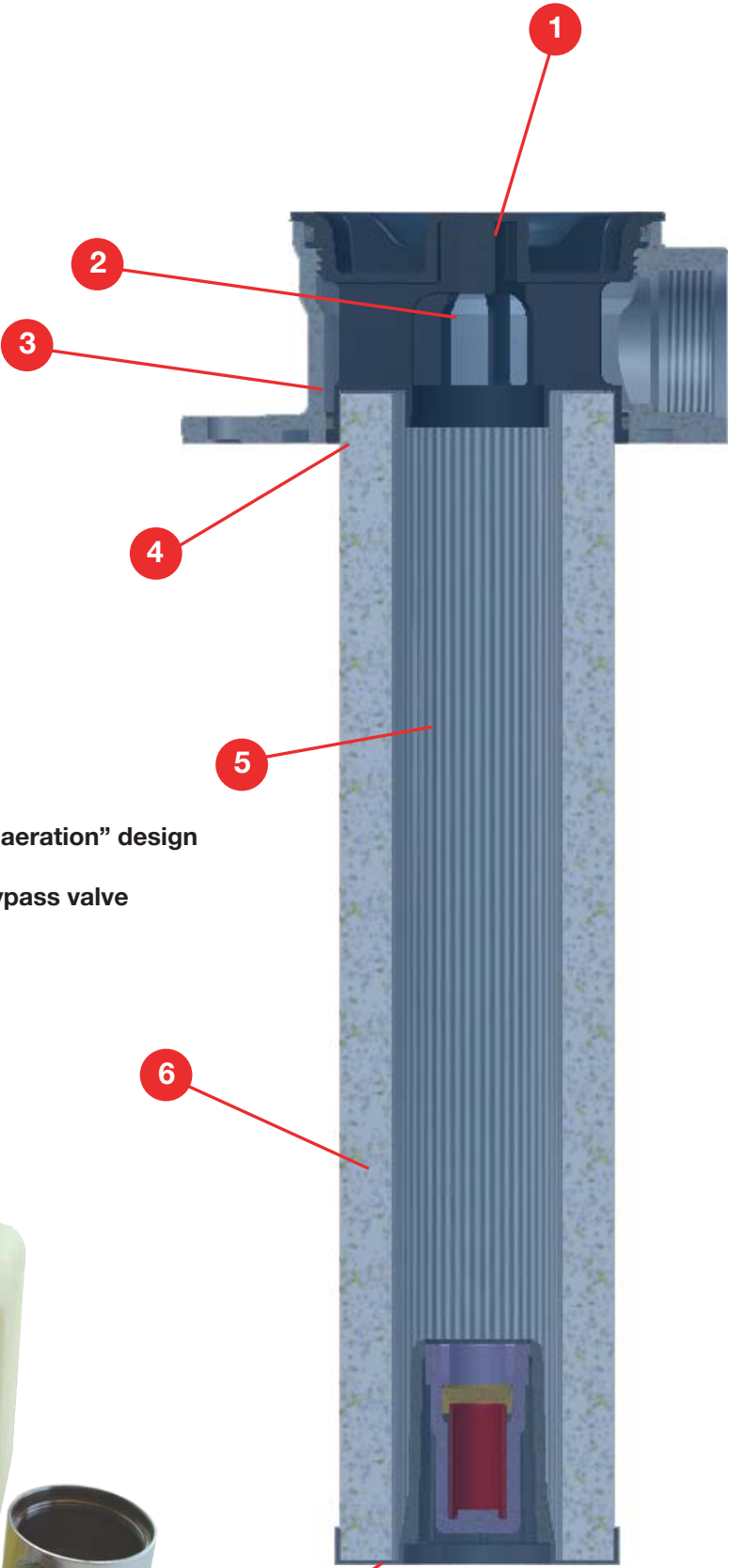


The PT Series filter combines high efficiency Microglass filtration with low cost installation featured in a new patented element design.

# PT Series

## Features

- 1 Easy element assembly removal
- 2 Unique high flow top end cap
- 3 Lightweight cast aluminum head
- 4 Patented filter element assembly
- 5 Bowl-less, inside-out flow
- 6 Downstream element support with "no aeration" design
- 7 Solid bottom endcap with integrated bypass valve
- 8 Low profile tank top design





# PT Series

## Patented Filter Element

Premium original equipment performance every time

## Tank Top, Bowl-Less Design

Reduces weight

Significant cost savings over filters with bowls

## Bottom Endcap Integrated Bypass Valve

New bypass valve with every element change

Insures reliable performance

## Inside-Out Element Flow Path

Contamination contained within the element

No system contamination during element servicing

## No Aeration Design

Oil cascades down the perforated outer support core

No system aeration

## High Flow, Low Pressure Drop Top Endcap Design

Long element life

Lower maintenance costs

## Premium Microglass Media

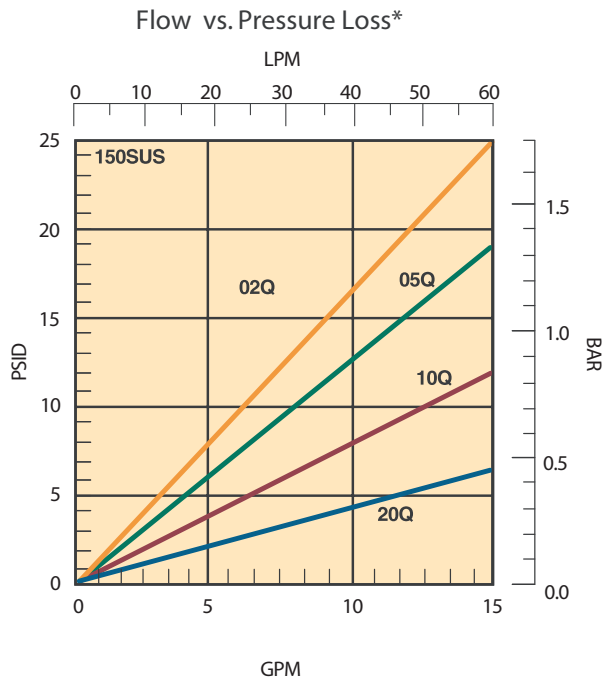
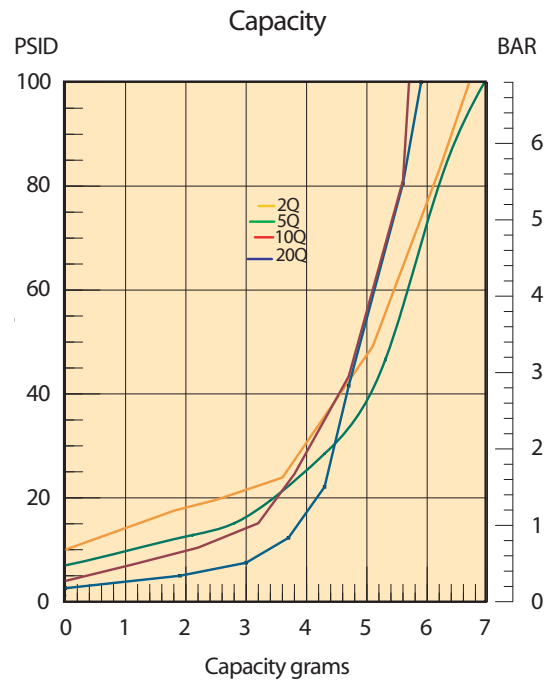
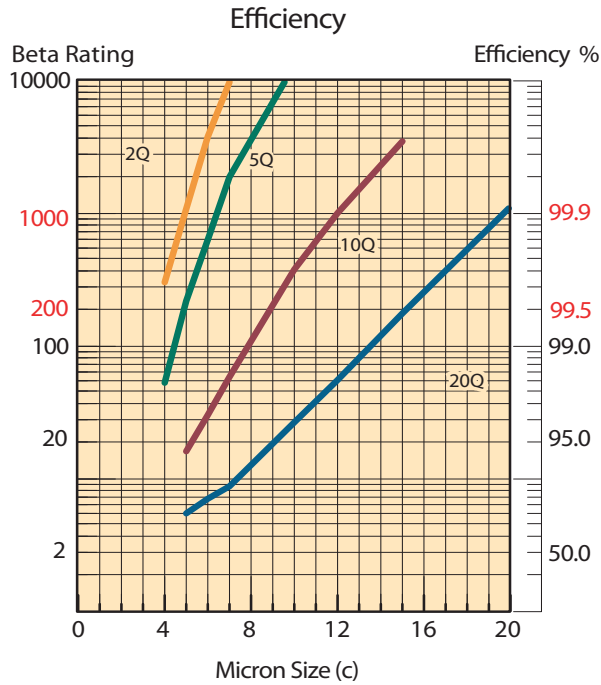
Superior dirt holding capacity and efficiency

Less maintenance and downtime



# PT Series

## PT2-1 Element Performance

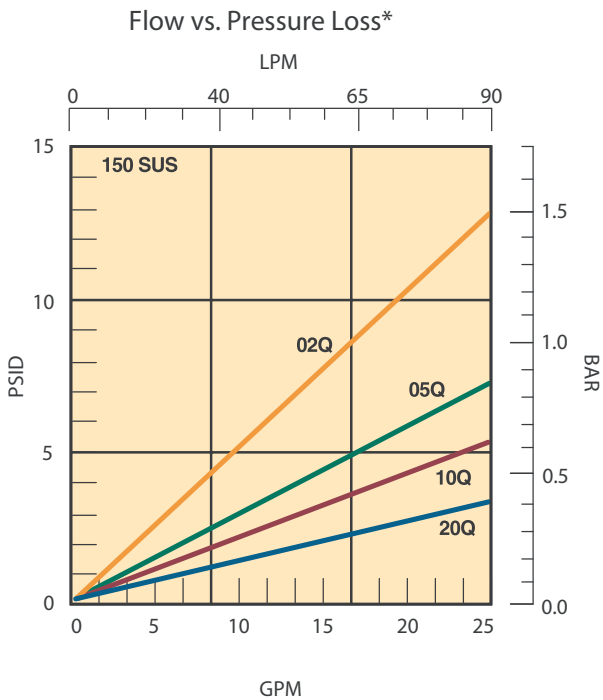
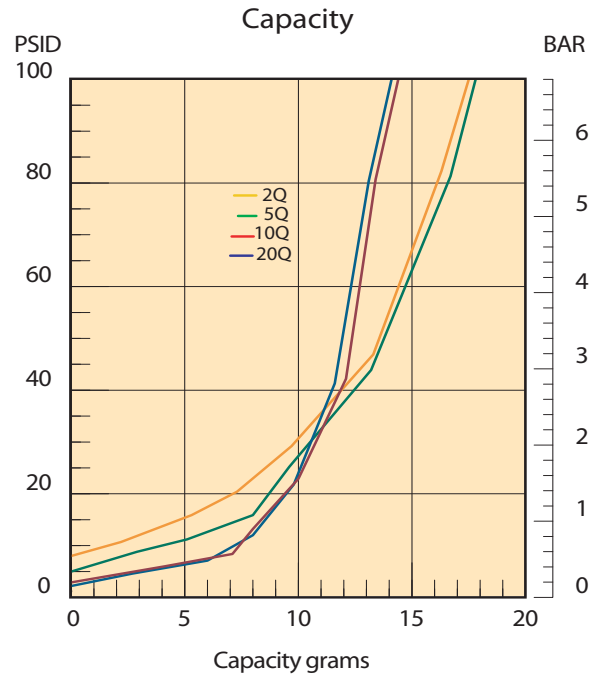
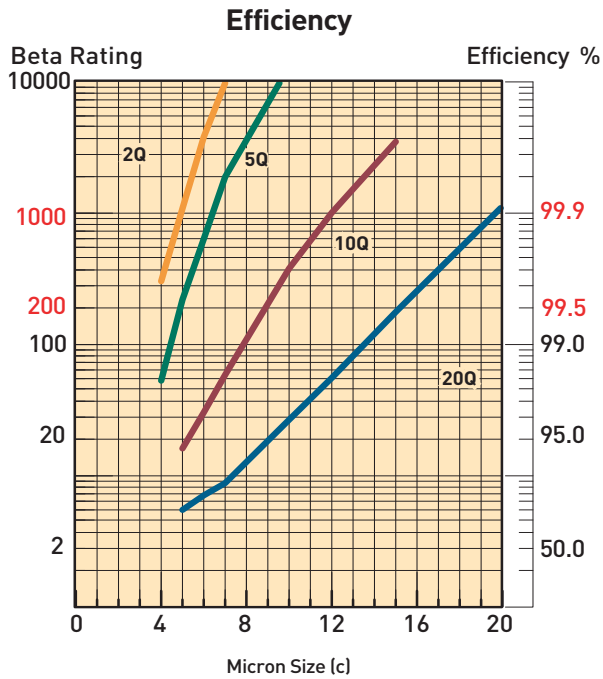


Results typical from Multi-pass tests run per test standard ISO 16889 @ 10 gpm to 100 psid terminal - 10 mg/L BUGL. Refer to Appendix on pages 264-265 for relationship to test standard ISO 4572.

\*Note: Pressure drop calculations are based on SAE-12 porting.

# PT Series

## PT2-2 Element Performance

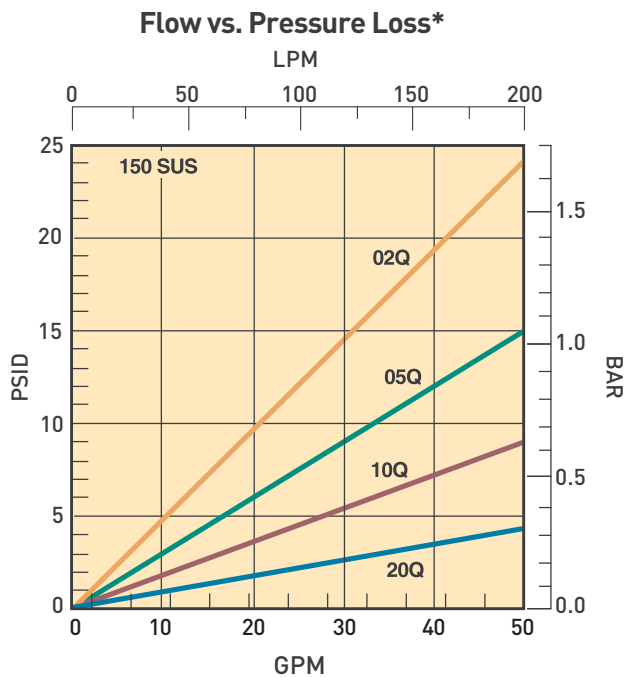
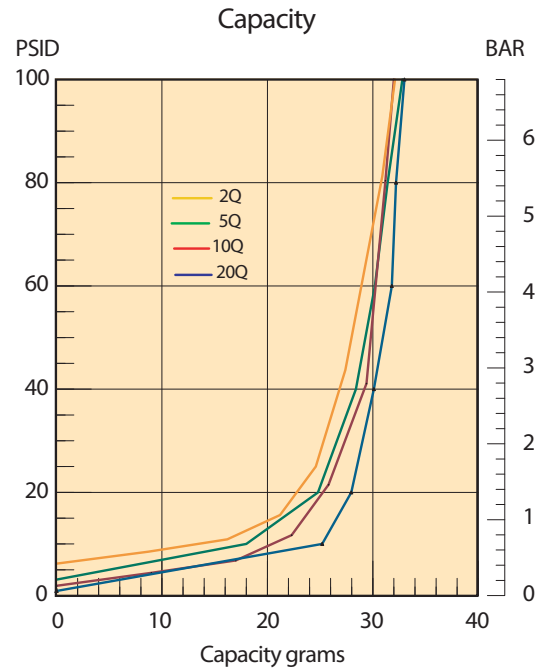
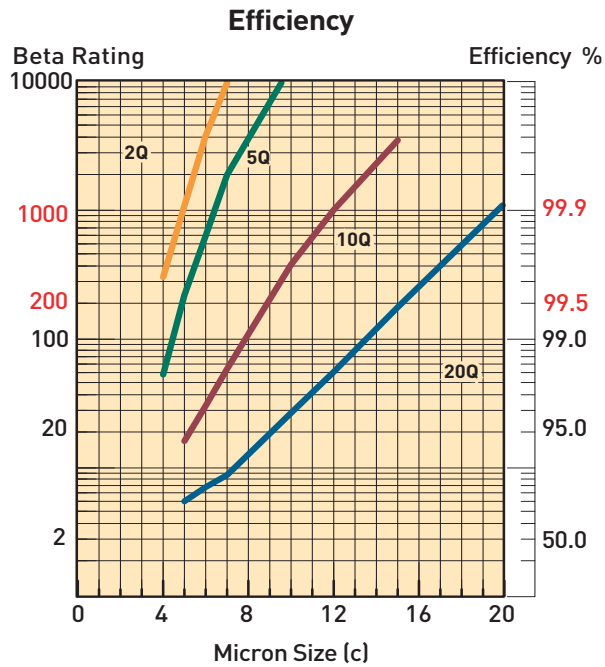


Results typical from Multi-pass tests run per test standard ISO 16889 @ 15 gpm to 100 psid terminal - 10 mg/L BUGL. Refer to Appendix on pages 264-265 for relationship to test standard ISO 4572.

\*Note: Pressure drop calculations are based on SAE-12 porting.

# PT Series

## PT4-1 Element Performance

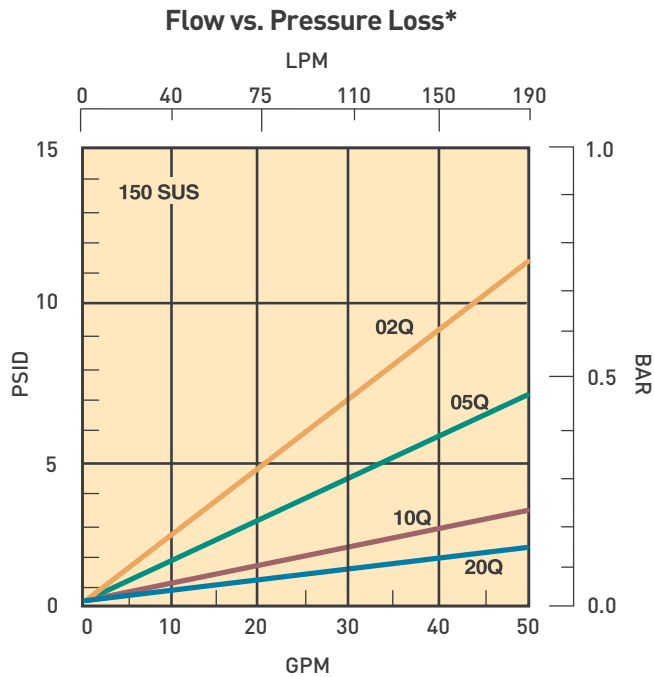
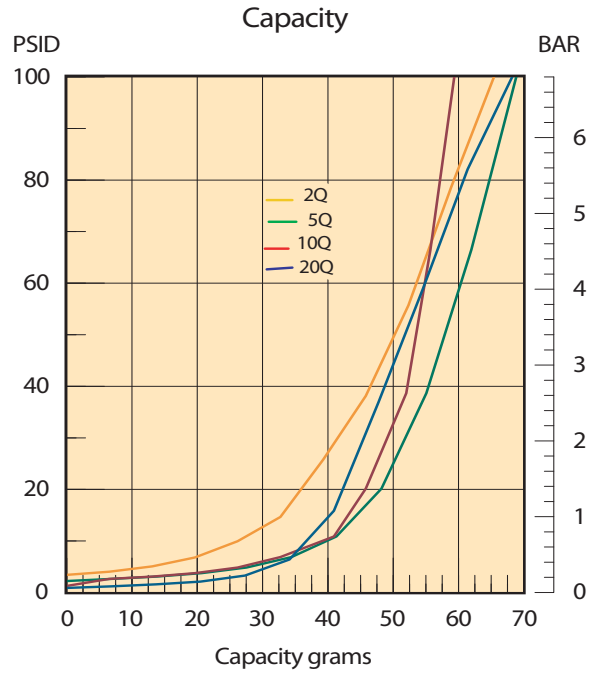
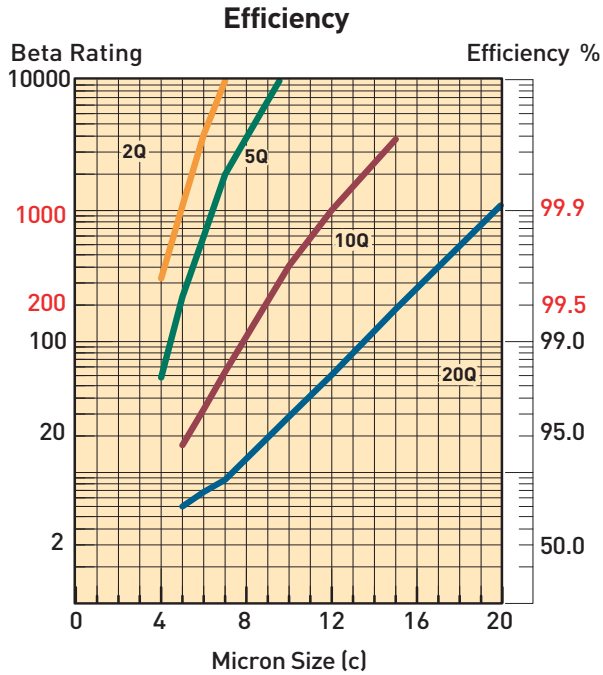


Results typical from Multi-pass tests run per test standard ISO 16889 @ 15 gpm to 100 psid terminal - 10 mg/L BUGL. Refer to Appendix on pages 264-265 for relationship to test standard ISO 4572.

\*Note: Pressure drop calculations are based on SAE-16 porting.

# PT Series

## PT4-2 Element Performance



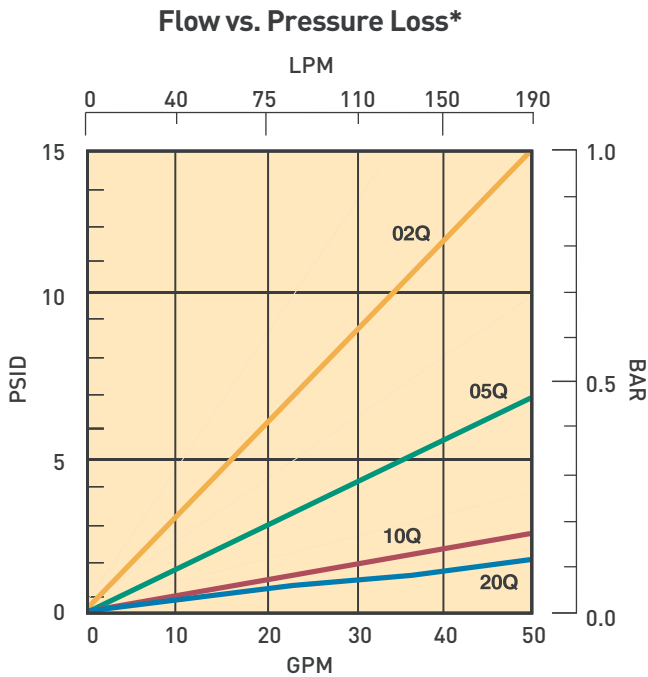
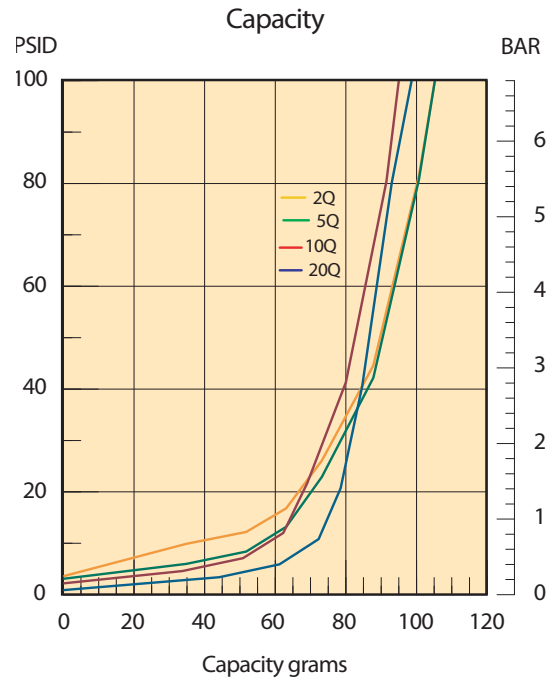
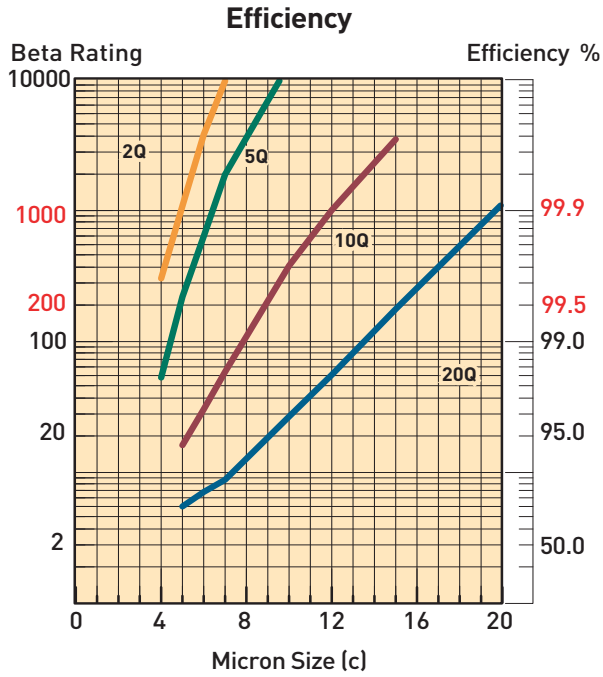
Results typical from Multi-pass tests run per test standard ISO 16889 @ 30 gpm to 100 psid terminal - 10 mg/L BUGL. Refer to Appendix on pages 264-265 for relationship to test standard ISO 4572.

\*Note: Pressure drop calculations are based on SAE-16 porting.



# PT Series

## PT4-3 Element Performance



Results typical from Multi-pass tests run per test standard ISO 16889 @ 45 gpm to 100 psid terminal - 10 mg/L BUGL. Refer to Appendix on pages 264-265 for relationship to test standard ISO 4572.

\*Note: Pressure drop calculations are based on SAE-16 porting.

# PT Series

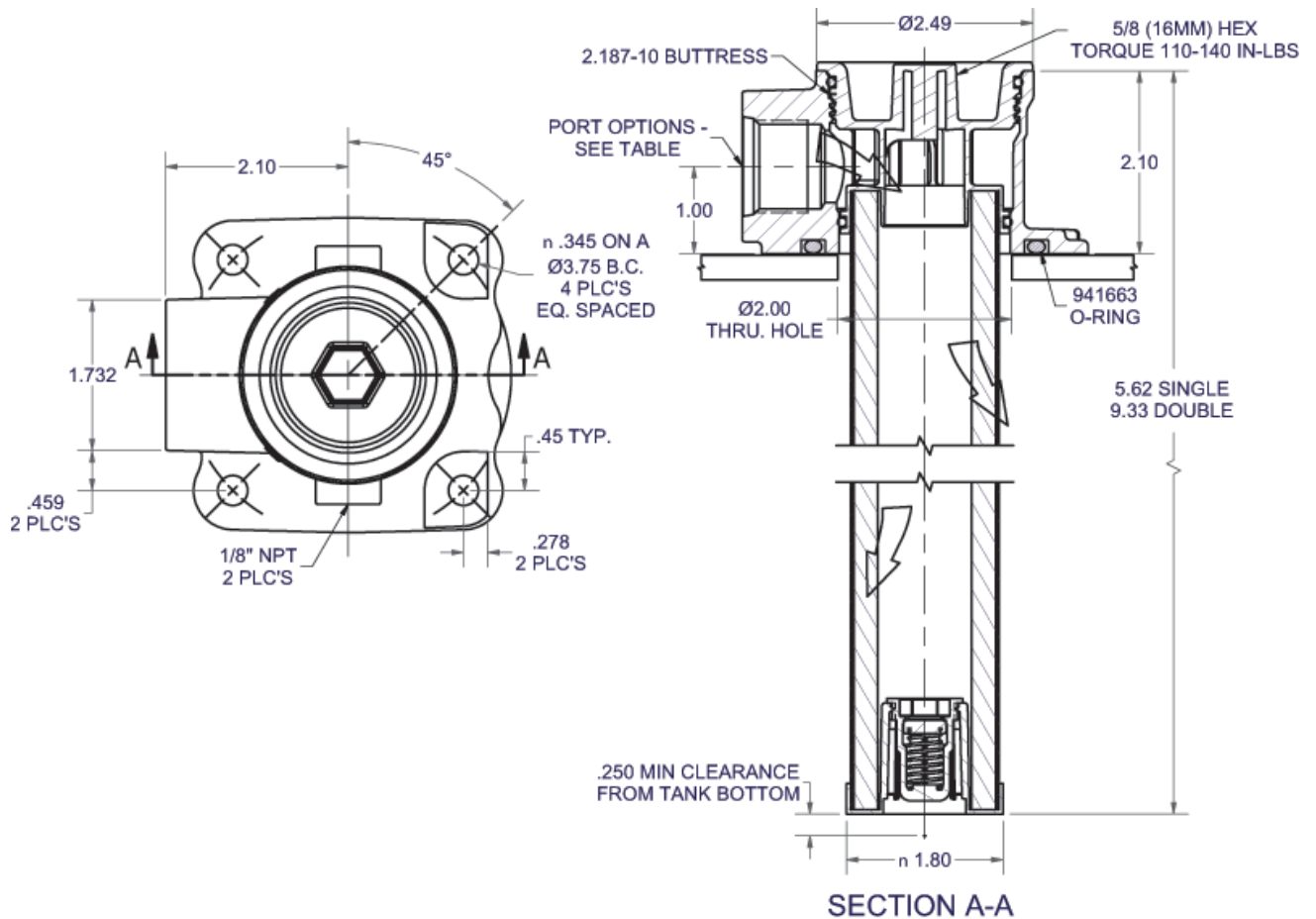
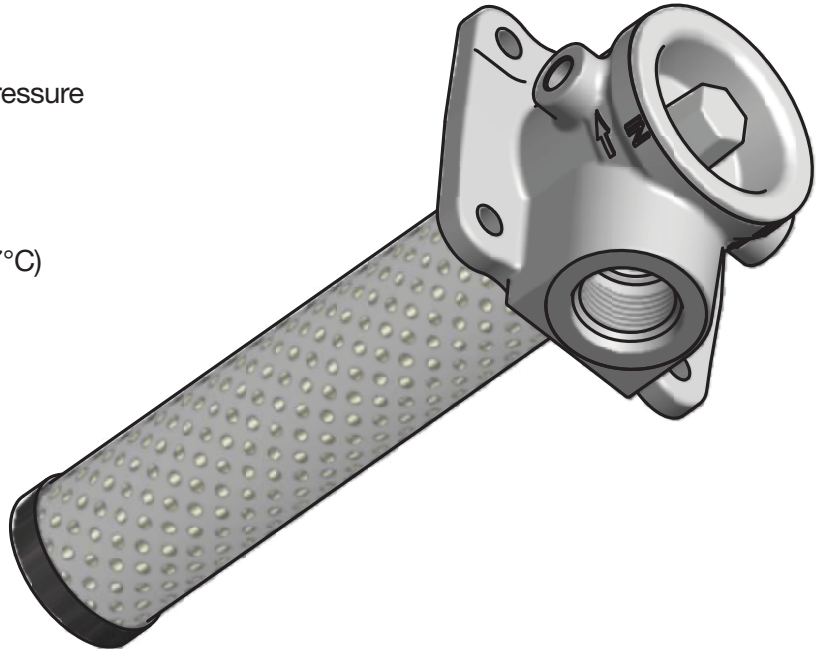
## Specifications - PT2

Maximum Allowable Operating Pressure (MAOP): 150 psi ( 10.3 bar)

Element Burst Rating: 150 psid

Operating Temperatures:  
Buna: -40°F (-40°C) to 225°F (107°C)

Materials:  
Tank Flange: aluminum  
Endcaps: nylon



# PT Series

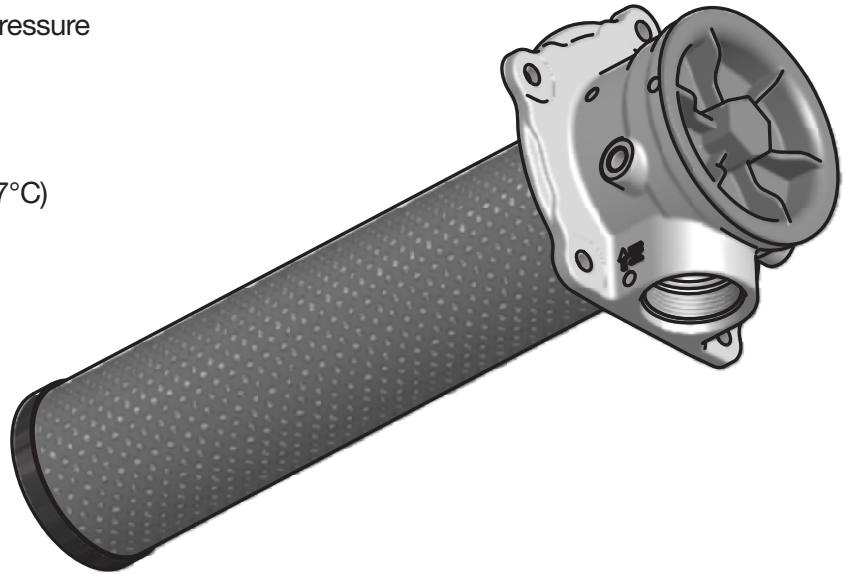
## Specifications - PT4

Maximum Allowable Operating Pressure (MAOP): 150 psi ( 10.3 bar)

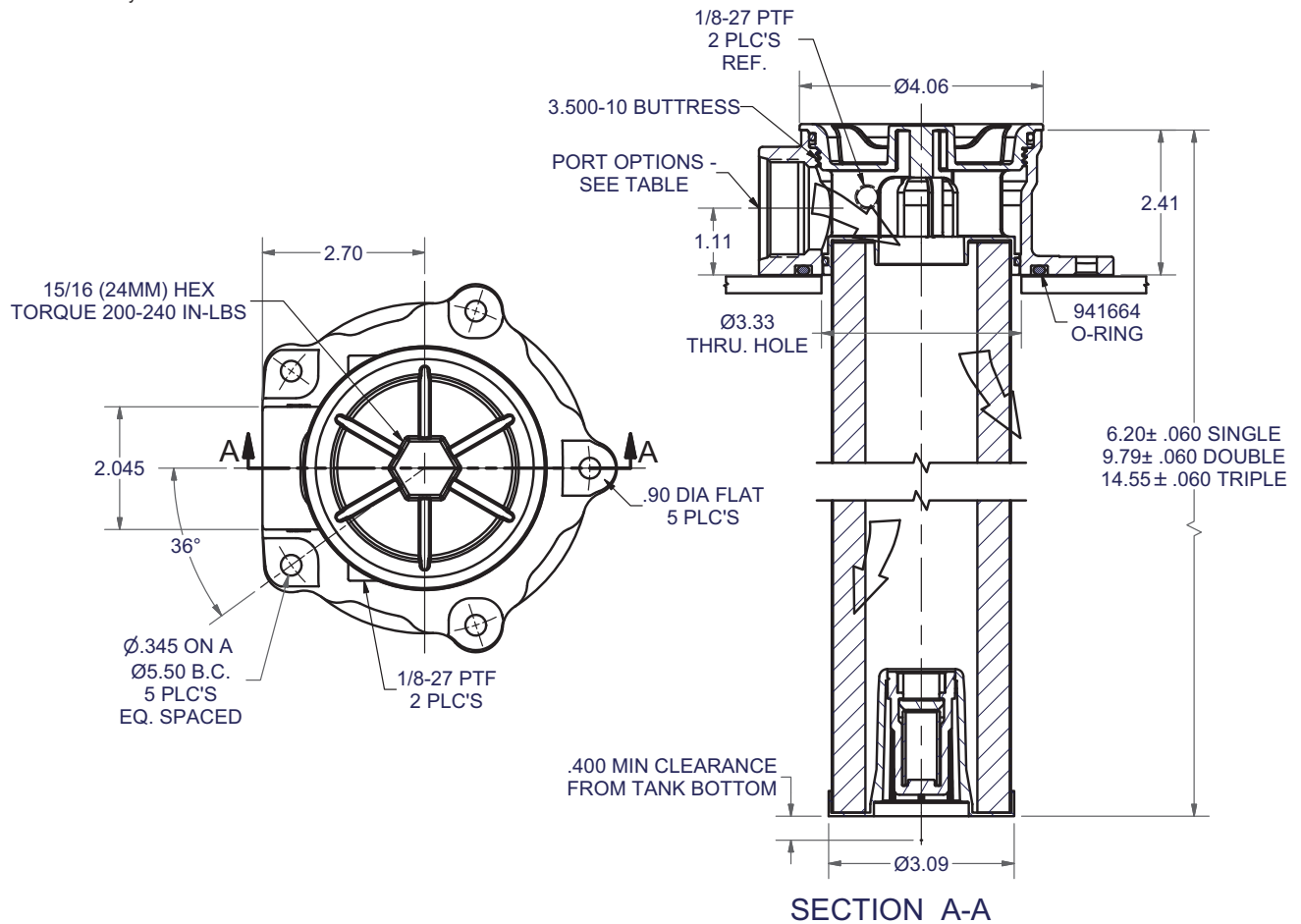
Element Burst Rating: 150 psid

Operating Temperatures:  
Buna: -40°F (-40°C) to 225°F (107°C)

Materials:  
Tank Flange: aluminum  
Endcaps: nylon



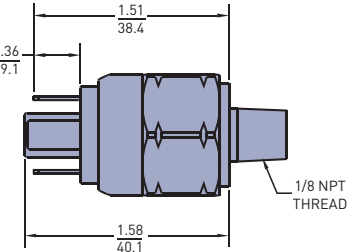
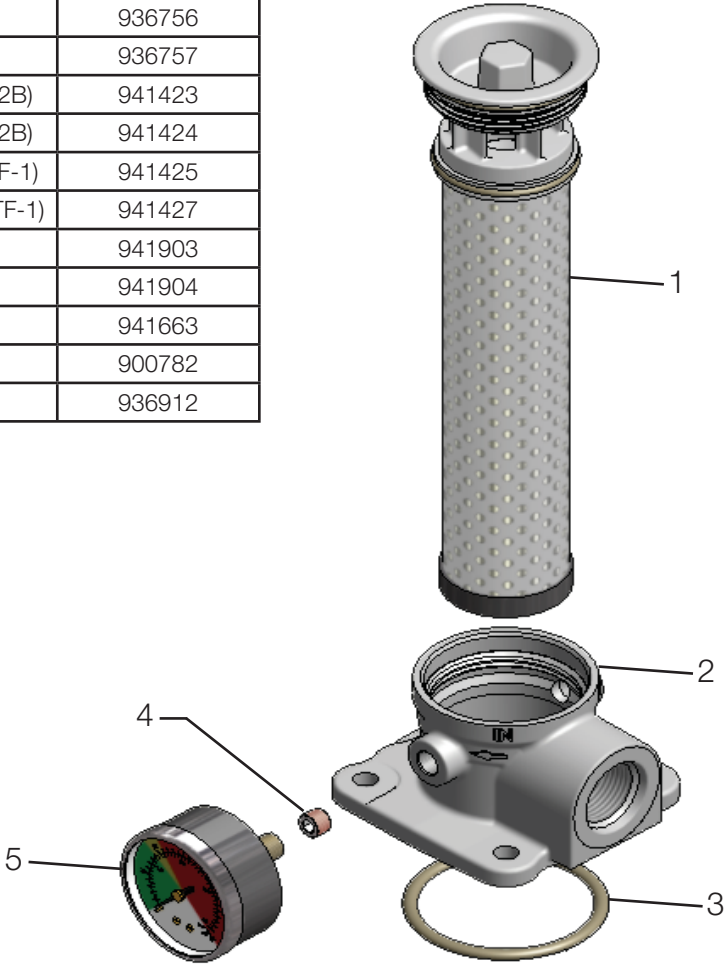
Drawings are for reference only.  
Contact factory for current version.



# PT Series

## PT2 Parts List

INDEX	PART DESCRIPTION	PART NUMBER
1	PT2-1-02Q-25 psid bypass	936750
	PT2-1-05Q-25 psid bypass	936751
	PT2-1-10Q-25 psid bypass	936752
	PT2-1-20Q-25 psid bypass	936753
	PT2-2-02Q-25 psid bypass	936754
	PT2-2-05Q-25 psid bypass	936755
	PT2-2-10Q-25 psid bypass	936756
	PT2-2-20Q-25 psid bypass	936757
2	PT2 DIE CAST SAE-12 (1.062-12 UN-2B)	941423
	PT2 DIE CAST SAE-16 (1.312-12 UN-2B)	941424
	PT2 DIE CAST 3/4" NPT (.750-14 NPTF-1)	941425
	PT2 DIE CAST 1" NPT (1.000-11.5 NPTF-1)	941427
	PT2 DIE CAST G3/4" BSPF	941903
	PT2 DIE CAST G1" BSPF	941904
3	O-RING	941663
4	1/8-27 PIPE PLUG	900782
5	1/8-27 PRESSURE GAUGE	936912

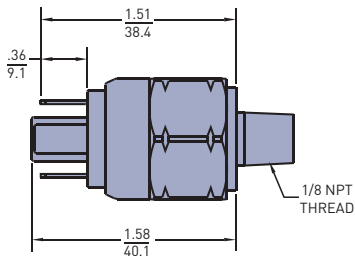
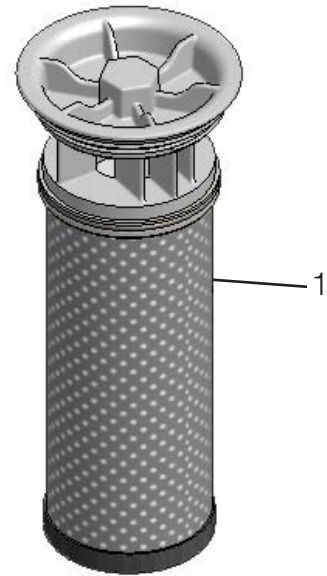


Linear measure =  $\frac{\text{inches}}{\text{mm}}$   
 Pressure Switch (926923)

# PT Series

## PT4 Parts List

INDEX	PART DESCRIPTION	PART NUMBER
1	PT4-1-02Q-25 psid bypass	936742
	PT4-1-05Q-25 psid bypass	936743
	PT4-1-10Q-25 psid bypass	936744
	PT4-1-20Q-25 psid bypass	936745
	PT4-2-02Q-25 psid bypass	936746
	PT4-2-05Q-25 psid bypass	936747
	PT4-2-10Q-25 psid bypass	936748
	PT4-2-20Q-25 psid bypass	936749
	PT4-3-02Q-25 psid bypass	936876
	PT4-3-05Q-25 psid bypass	936877
	PT4-3-10Q-25 psid bypass	936878
	PT4-3-20Q-25 psid bypass	936879
2	PT4 DIE CAST SAE-16 (1.312-12 UN-2B)	941417
	PT4 DIE CAST SAE-20 (1.625-12 UN-2B)	941448
	PT4 DIE CAST 1" NPT (1.000-11.5 NPTF-1)	941449
	PT4 DIE CAST 1 1/4" NPT (1.250-11.5 NPTF-1)	941450
	PT4 DIE CAST G1" BSPF	941905
	PT4 DIE CAST G1 1/4" BSPF	941906
3	O-RING	941664
4	1/8-27 PIPE PLUG	900782
5	1/8-27 PRESSURE GAUGE	936912



Linear measure =  $\frac{\text{inches}}{\text{mm}}$

Pressure Switch (926923)



# PT Series

## How to Order

Select the desired symbol (in the correct position) to construct a model code.

Example:

BOX 1	BOX 2	BOX 3	BOX 4	BOX 5	BOX 6	BOX 7	BOX 8
PT2	1	10Q	B	G	G	S16	1

BOX 1: Filter Series <sup>1</sup>	
Symbol	Description
PT2	Tank top filter
PT4	Tank top filter

BOX 2: Element Length	
Symbol	Description
1	Single
2	Double
3	Triple (Avail. on PT4 only)

Consult factory for additional element lengths

BOX 3: Media Code	
Symbol	Description
02Q	Microglass III, 2 micron
05Q	Microglass III, 5 micron
10Q	Microglass III, 10 micron
20Q	Microglass III, 20 micron

BOX 4: Seals	
Symbol	Description
B	Nitrile (NBR)
V	Fluorocarbon (FKM)

BOX 5: Indicator	
Symbol	Description
P	Port plugged
G	Pressure Gauge, 25 psi
S	Pressure Switch

BOX 6: Bypass	
Symbol	Pressure Setting
G	25 PSI (1.7 bar)

BOX 7: Ports	
Symbol	Description
<b>PT2</b>	
G12	G $\frac{3}{4}$ " BSPP
G16	G1" BSPP
N12	$\frac{3}{4}$ " NPT
N16	1" NPT
S12	SAE-12
<b>S16</b>	<b>SAE-16</b>
<b>PT4</b>	
G16	G1" BSPP
G20	G1 $\frac{1}{4}$ " BSPP
N16	1" NPT
N20	1 $\frac{1}{4}$ " NPT
S16	SAE-16
<b>S20</b>	<b>SAE-20</b>

BOX 8: Options	
Symbol	Description
1	None
W <sup>2</sup>	Steel weld ring

### Notes:

- The filters include the element you select already installed.
- When "W" is selected in Box 8, the PT2 port options are "N12" and "S12"; the PT4 port options are "N16" and "S16".

Please note the bolded options reflect standard options with a reduced lead-time. Consult factory on all other lead-time options.

Global products as identified are offered worldwide through all Parker locations and utilize a common ordering code.

