

VG35EH Open-Center Directional Control Valve

Mobile Hydraulic Valves
Catalog HY14-2007/US

aerospace
climate control
electromechanical
filtration
fluid & gas handling
hydraulics
pneumatics
process control
sealing & shielding



ENGINEERING YOUR SUCCESS.

**WARNING – USER RESPONSIBILITY**

FAILURE OR IMPROPER SELECTION OR IMPROPER USE OF THE PRODUCTS DESCRIBED HEREIN OR RELATED ITEMS CAN CAUSE DEATH, PERSONAL INJURY AND PROPERTY DAMAGE.

- This document and other information from Parker-Hannifin Corporation, its subsidiaries and authorized distributors provide product or system options for further investigation by users having technical expertise.
- The user, through its own analysis and testing, is solely responsible for making the final selection of the system and components and assuring that all performance, endurance, maintenance, safety and warning requirements of the application are met. The user must analyze all aspects of the application, follow applicable industry standards, and follow the information concerning the product in the current product catalog and in any other materials provided from Parker or its subsidiaries or authorized distributors.
- To the extent that Parker or its subsidiaries or authorized distributors provide component or system options based upon data or specifications provided by the user, the user is responsible for determining that such data and specifications are suitable and sufficient for all applications and reasonably foreseeable uses of the components or systems.

OFFER OF SALE

The items described in this document are hereby offered for sale by Parker-Hannifin Corporation, its subsidiaries or its authorized distributors. This offer and its acceptance are governed by the provisions stated in the detailed "Offer of Sale" elsewhere in this document or available at www.parker.com/hydraulicvalve.

SAFETY GUIDE

For safety information, see Safety Guide SG HY14-1000 at www.parker.com/safety or call 1-800-CParker.

© Copyright 2007, Parker Hannifin Corporation, All Rights Reserved

Cat HY14-2007-infrtbckvr.indd, dd



Technical Information

General Description..... 1

Operation..... 1

Benefits 2

Assembly Callout Drawing..... 2

Specifications 3

Weights..... 3

Connections 3

Dimensions..... 4

Schematic..... 4

Ordering Information

Inlet 5

Outlet 5

Power Beyond Outlet..... 6

Utility Section..... 7

Work Section 8

Installation Information

Pilot Generating/Regulating Section 9

Solenoid Connector Information..... 9

Terms of Sale with Warranty Limitations..... 10

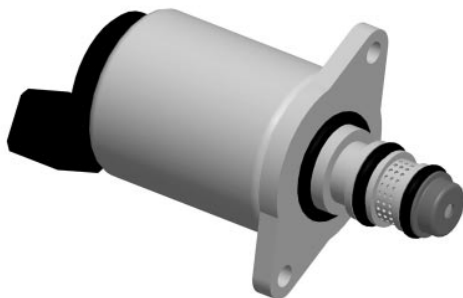
Safety Guide 11 - 12

General Description

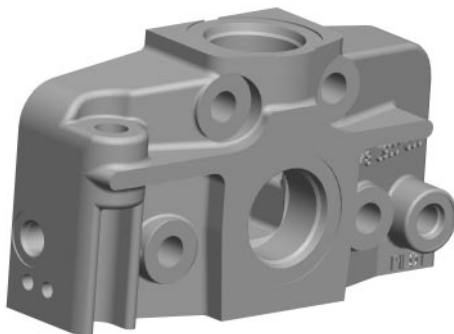
The VG35 has been a strong and reliable player in the 170-246 LPM (45-65 GPM) open-center, directional control valve market for many years. Now it has a new, electrohydraulic package designed for open-center systems and for those customers wanting to take machine control to the next level.

The offering consists of the following:

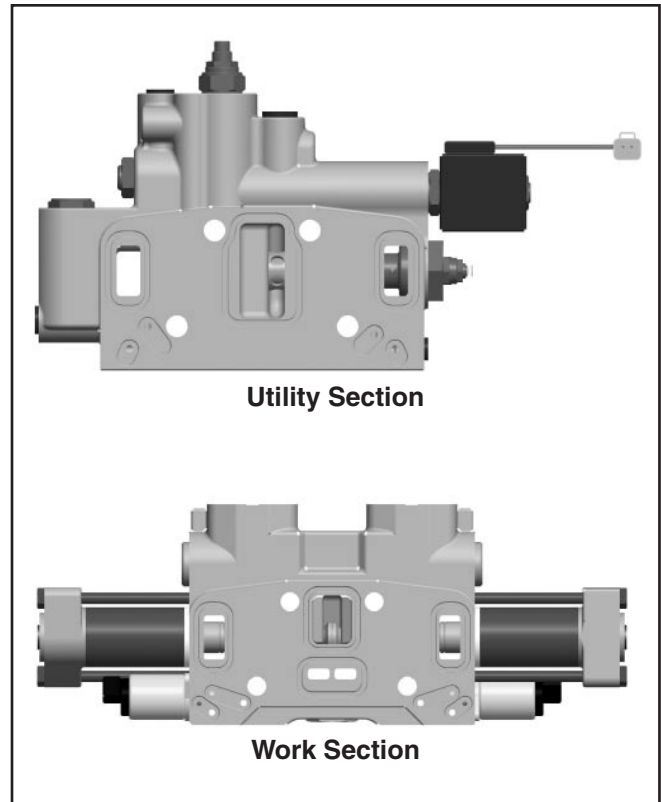
- A global solenoid (pwm) that can be used for proportional or on/off control. The connector options are Amp Jr., Deutsch and Weather Pak.
- Work sections rated to 275 Bar (4000 PSI): 4-way, 3-position; and 3-way, 3-position.
- A pilot generating/regulating section that is referred to as a “utility section”. The purpose of this section is to generate and regulate pilot pressure in an open-center circuit. This section is positioned adjacent to the inlet.
- An outlet that can accept an external regulated signal. This is an option, when a pilot generating/regulating or “utility” section is not required.



Solenoid



Outlet



Utility Section

Work Section

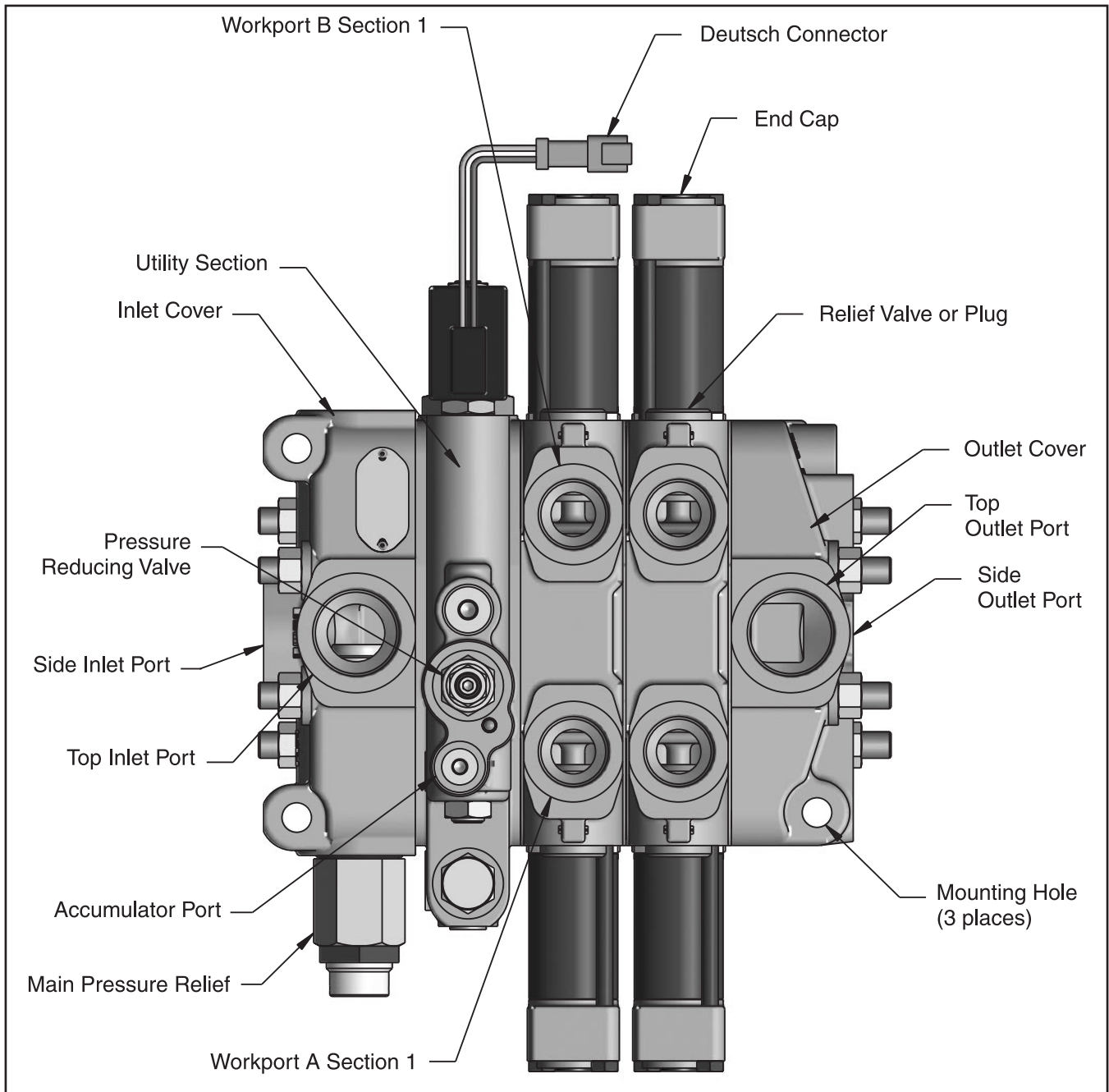
Operation

Open-center valves that are operated by either hydraulic-remote or electrohydraulic require a way to generate and regulate the pilot pressure. For hydraulic-remote operation, the regulated pilot pressure is needed for the pilot controllers. For electrohydraulic operation, the regulated pilot pressure is required for the work section solenoids. Generation and regulation of the pilot signal can be accomplished externally with an in-line solution, however, this approach requires extra plumbing.

The VG35 has an integrated section that selectively generates and regulates the pilot pressure to be sent to the hydraulic-remote controllers, or the solenoids installed in the work section.

When an operator selects a spool, a signal is sent to a normally open solenoid in the “utility” section. Pressure will then build until it reaches the setting of relief valve. This is sufficient pressure to move the main spool, so that it can be connected to the load pressure. At that point, the inlet of the valve will see system pressure, and the pressure-reducing valve in the “utility section” will regulate the pilot pressure to the hydraulic-remote controllers or the work section solenoids.

For electrohydraulic operation, optimizing machine control is achieved by having a dedicated drain for the work section solenoids. Therefore, the VG35EH package isolates the solenoid within the control valve, and the solenoid drain port is located in the “utility section”.



Benefits

- The pressure required to move the spools is generated and regulated internal to the VG35 valve. This eliminates the need for any in-line devices and the associated plumbing which saves installation cost.
- No impact on open-center pressure drops when the main spools are in neutral. This is because pressure generation is “triggered” to on, only when a spool is selected. The benefit is less heat generation and reduced fuel consumption.
- No impact on loop pressure drops: P-A/B & A/B-T which maximizes horsepower utilization.

- The utility section maintains pilot pressure to the solenoids with over-running loads. This ensures that productivity is not adversely affected during a pump over-demand condition.
- A dedicated solenoid drain to the reservoir optimizes solenoid performance. This translates into consistent metering and machine controllability.
- The pressure generating/regulating section has a selective “solenoid dump” option. In the normal position, the de-energized solenoid routes the regulated signal to the reservoir. To operate the main control valve, the solenoid must be energized. The benefit is “selective” operation of the VG35 control valve.

Specifications

Pressures	Pump Inlet Ports: 275 Bar (4000 PSI) Service Ports: 45 Bar (5000 PSI) Pilot: 35 Bar (508 PSI) (input or internal supply) Tank Return Ports: 15 Bar (220 PSI) Solenoid Drain: 2 Bar (29 PSI)
Flow Rates (maximum recommended)	246 LPM (65 GPM)
Leakage Performance	With mineral oil, 100 SUS@ 49°C (120° F) at 75.9 Bar (1100 PSI) differential Workport w/Steel Plug of no accessory: 30cc/min max. Workport w/RV or RV+AC: 35cc/min max.
Hydraulic Fluid	Mineral Base oil For other fluids consult factory Viscosity, working range: 15-380mm ² /s (15-380 cSt)
Hydraulic Oil Temperature	Recommended Operating Range without Solenoid Operation: -30° to 90°C (-22 to 194°F) Recommended Operating Range with Solenoid Operation: -20° to 80°C (-4 to 176°F)
Filtration (ISO4406)	20/18/14 in Main Flow Paths 18/16/13 Pilot Supply

Weights

Inlet with relief	7.2 kg (15.8 lbs)
Work section – manual spring return	8.4 kg (18.4 lbs)
Work section – hydraulic remote	10.4 kg (22.8 lbs)
Work section – solenoid operated	10.8 kg (23.8 lbs)
Work section – pilot generation	9.6 kg (21.1 lbs)
Add for port relief	0.3 kg (0.65 lbs)
Outlet	4.8 kg (10.6 lbs)

Solenoid Specifications

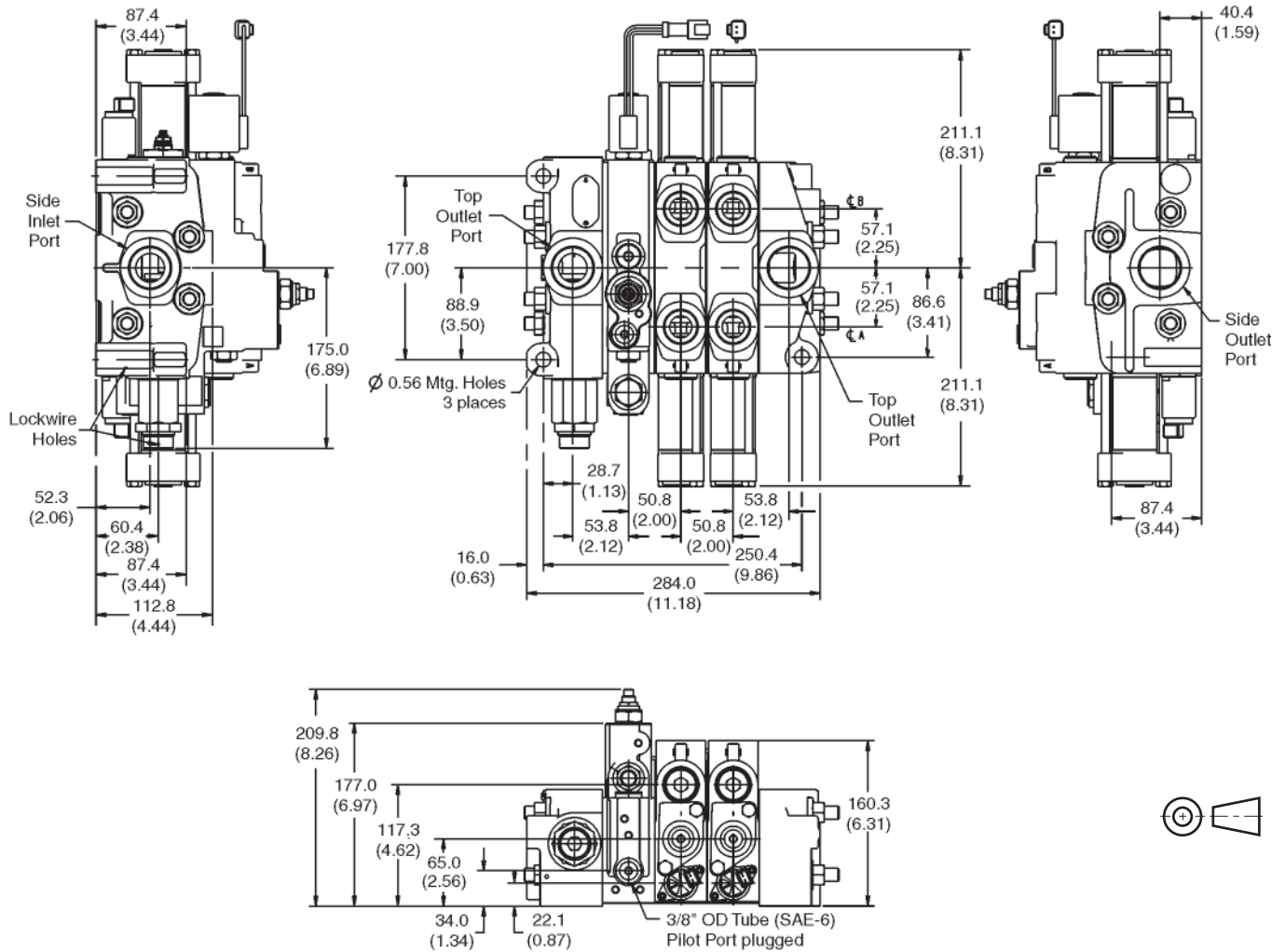
Voltage	12 or 24 VDC
Frequency	100 ±10 Hz
Pilot	35 Bar (508 PSI) 15-23 LPM (4-6 GPM)
Current Input (I)	1.5A for 12 VDC 0.75A for 24 VDC
Current (mA) for Spool Shift	12V 24V
Start Shift	550 225
Full Shift	1150 575
Insulation Material	Class H
Duty Cycle	100%
R20 Ohm	5.3 (±5%) for 12 VDC 21.2 (±5%) for 24 VDC
Fluid Cleanliness	17/14 per ISO 4406
Ambient Temperature	-30° to 80°C (-22 to 176°F)
Fluid Temperature	-20° to 80°C (-4 to 194°F)

Connections

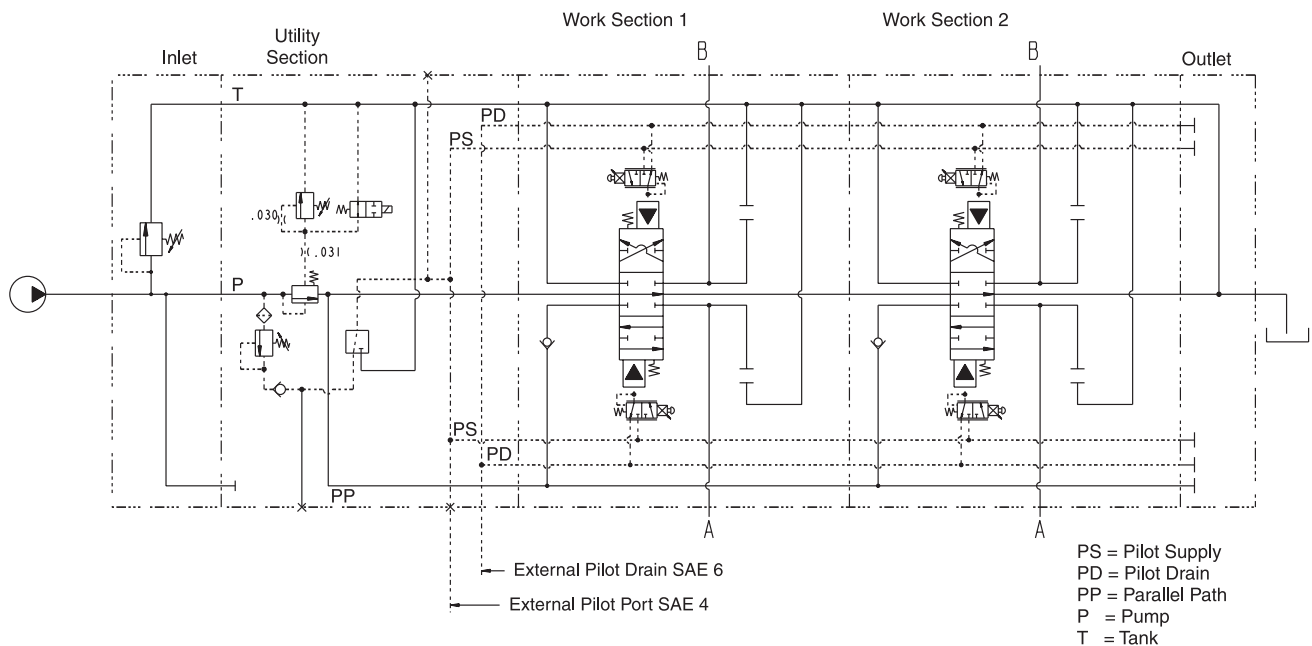
O-ring boss ports SAE-J1926-1
 BSPP ports ISO 1179-1

Description	SAE#	Thread Size	
		O-ring boss	BSPP
Inlet port, Top or Side	16	1-5/16"-12 UNF	1"-11
Inlet port, Top or Side	20	1-5/8"-12 UNF	1-1/4"-11
Outlet port, Top or Side	16	1-5/16"-12 UNF	1"-11
Outlet port, Top or Side	20	1-5/8"-12 UNF	1-1/4"-11
Work Ports	16	1-5/16"-12 UNF	1"-11
Work Ports	12	1-1/16"-12 UNF	3/4"-14

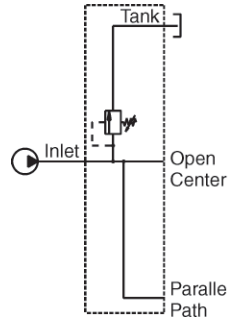
Inch equivalents for millimeter dimensions are shown in (**)



Schematic Assembly



Inlet



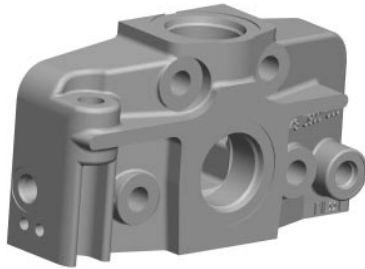
Example: VG35-AA880 (3500)

Inlet Code		High Pressure Port Coding				Low Pressure Port Coding	
		Side		Top		Bottom	
AA	with main relief	0	no port	0	no port	0	no port
CA	main relief plug	8	SAE 16	8	SAE 16	8	SAE 16
		9	SAE 20	9	SAE 20	9	SAE 20

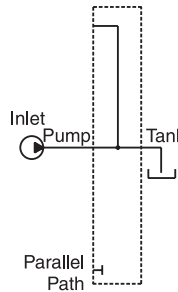
NOTES:

1. Uses standard VG35 inlets.
2. Specify main relief setting.
3. Consult with factory for High Pressure SAE-20 ports above 3500 PSI.

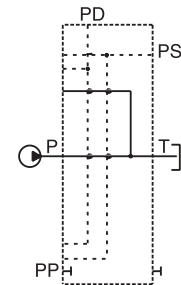
Outlet



Standard



Optional



PS = Pilot Supply
 PD = Pilot Drain
 PP = Parallel Path
 P = Pump
 T = Tank

Example: ZT99022

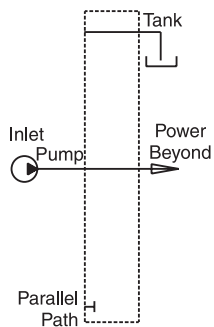
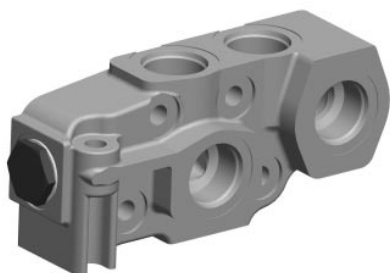
Outlet Code	Low Pressure Port Coding						Pilot In		Pilot Drain Out	
	Side		Top		Bottom					
ZT	0	no port	0	no port	0	no port	2	SAE 6	2	SAE 6
	8	SAE 16	8	SAE 16	8	SAE 16				
	9	SAE 20	9	SAE 20	9	SAE 20				
	10	SAE 24								

(Omit from code if PG section is used)

NOTES:

1. Pilot in & drain out ports are not required if Pilot Generation section is used.
2. Pilot in & out ports are cost drivers, do not specify unless required for EXTERNAL pilot source entry.
3. A traditional VG35 outlet cannot be used here. This is a unique casting that accommodates internal/external pilot machining requirements.

Power Beyond Outlet



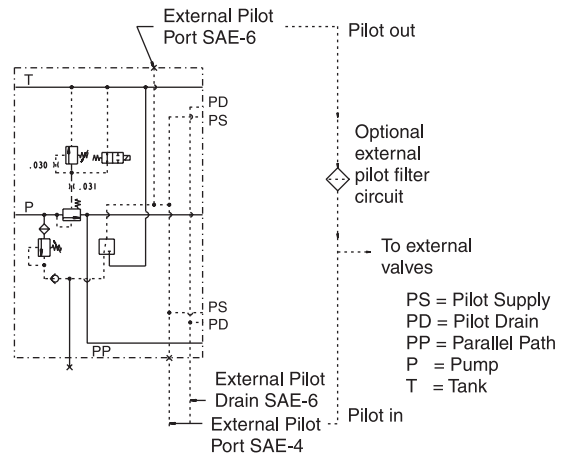
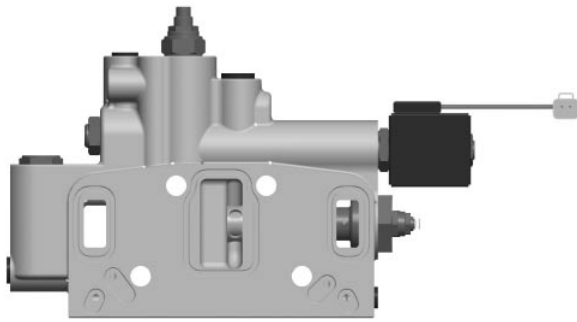
Example: YT99099

Outlet Code	Low Pressure Port Coding						High Pressure Port Coding			
	Side		Top		Bottom		Side		Top	
YT	0	no port	0	no port	0	no port	0	no port	0	no port
	8	SAE 16	8	SAE 16	8	SAE 16	8	SAE 16	8	SAE 16
	9	SAE 20	9	SAE 20	9	SAE 20	9	SAE 20	9	SAE 20

NOTES:

1. Consult with factory for High Pressure SAE-20 ports above 242 Bar (3500 PSI).
2. Power beyond outlets require "last in line" work section housing to terminate internal pilot & drain machining. Contact Factory.
3. Power beyond outlets cannot accommodate external pilot & drain ports.

Utility Section



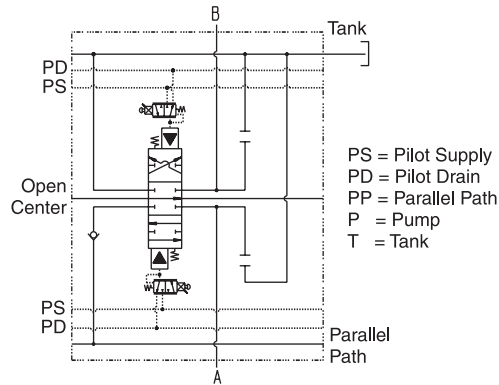
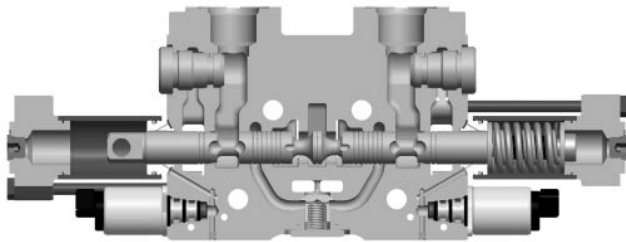
Example PGP2DA

PG Code	Solenoids	Connector	Accum Check	Solenoid Dump	Sol. Dump Connector	External Pilot Filter Circuit
PG	P2 12VDC	D Deutsch	A - external port is SAE 6	P2 12VDC	D Deutsch	EF1 External Filter Used - Filter not supplied with valve - includes 2 external pilot ports
	P4 24VDC		(Included by default)	P4 24VDC		(Omit from code if no pilot filter circuit required)
				(Omit from code if no dump required)		

Supplemental Pilot Generation Section Information

- NOTES: 1. Pilot generation section is typically placed next to (downstream of) inlet cover.
 2. Optional selective dump solenoid routes the regulated pilot signal to tank until its coil is energized. This solenoid is not shown and would be located on the top left side of the picture shown.
 3. Pilot Gen section comes standard with a serviceable 150 square weave sintered mesh pilot oil screen. It is NOT intended to be a primary pilot filter. Filtration of 18/16/13 under ISO 4406 is recommended.
 4. Pilot filter must be rated to a minimum of 1000 PSI due to PRV adjustability.
 5. Pilot pressure can be constant on by replacing DSL102N cartridge with P10-2 cavity plug. Beware of excess heat generation!
 6. Solenoids have 6" leadwires terminated with Deutsch DT04-2P receptacle with pin terminals. The required mate is Deutsch DT06-2S plug with socket terminals.

Work Section



Example: HP2AS899

Code	Description	Actuator	A & B Porting	Port Accessory			
				Port A		Port B	
H	double-acting, parallel cylinder	P2 12 volt, double-ended solenoid, on/off or proportional	S7 SAE 12	0 Not Machined	0 Not Machined	0 Not Machined	0 Not Machined
L	double-acting, parallel, motor	P4 24 volt, double-ended solenoid, on/off or proportional	S8 SAE 16	1 RV-AC	1 RV-AC	1 RV-AC	1 RV-AC
J	single-acting @ B, parallel, cylinder	Connector		2 Anti-cav	2 Anti-cav	2 Anti-cav	2 Anti-cav
N	single-acting @ B, parallel, motor		B7 BSP 3/4"	3 RV-shim adj	3 RV-shim adj	3 RV-shim adj	3 RV-shim adj
HT	double-acting, tandem, cylinder	A Amp Jr.Timer	B8 BSP 1"	6 RV-screw adj	6 RV-screw adj	6 RV-screw adj	6 RV-screw adj
LT	double-acting, tandem, motor	D Deutsch (no override pin due to connector)		5 Plastic closure	5 Plastic closure	5 Plastic closure	5 Plastic closure
				9 Steel plug	9 Steel plug	9 Steel plug	9 Steel plug

Diode

I	- only available with Amp Jr. connector only & in 12VDC
	- not available with override pin/bleed screw

(Omit from code if no diode)

Manual Override/Bleed Screw - available with Amp Jr. connector only

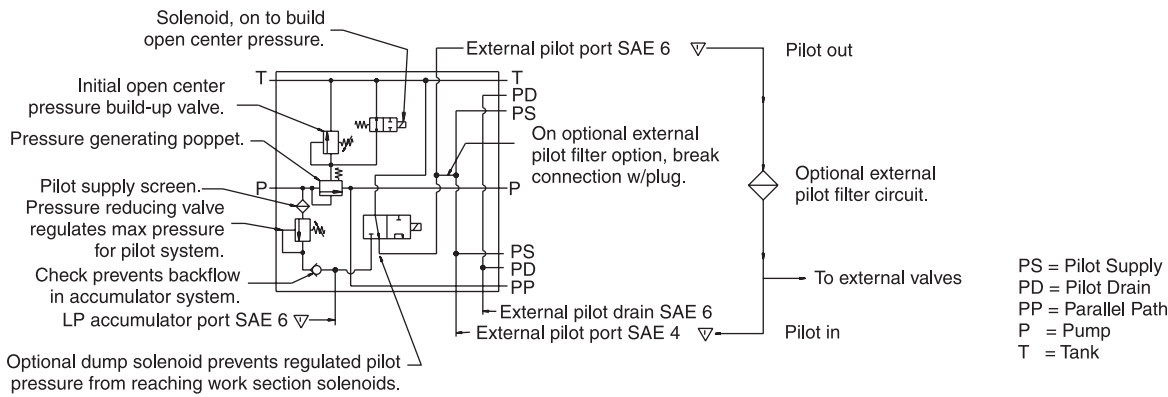
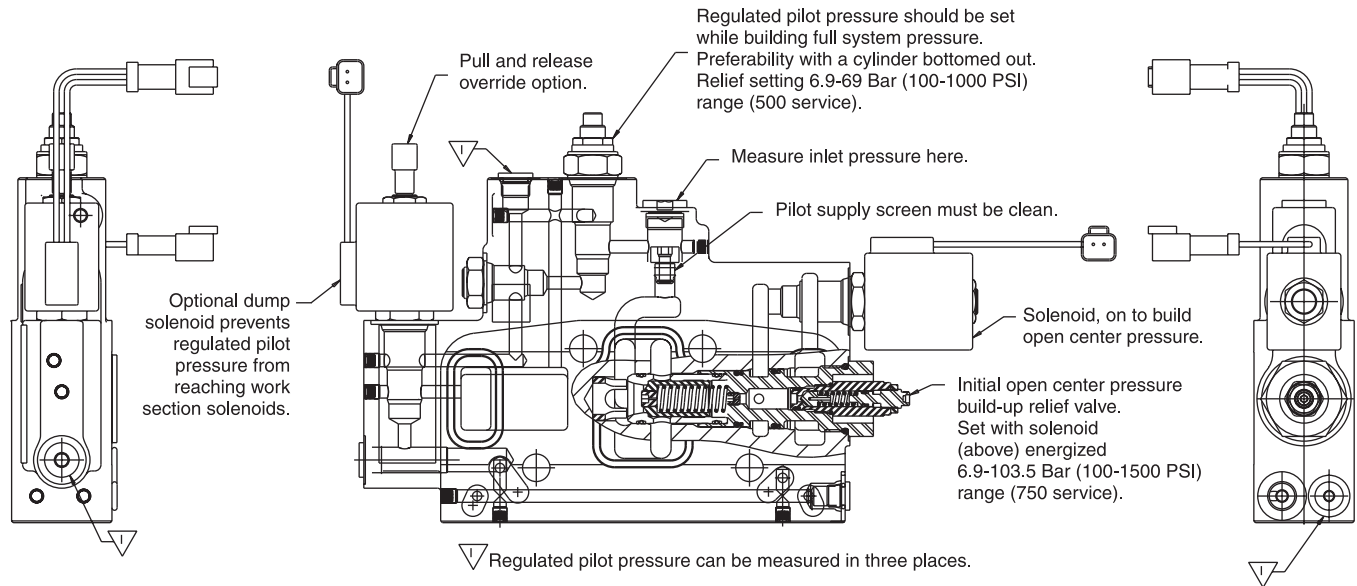
O	Override pin/bleed screw
----------	--------------------------

Omit from code if no override pin

Supplemental Work Section Information

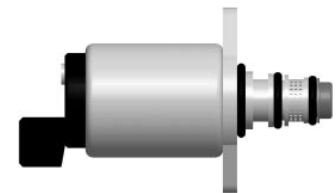
- NOTES: 1. No series circuit work sections available at this time because they cannot accommodate internal pilot & drain machining.
2. For optimal proportional performance, the solenoids should be driven using Parker Current regulated (compensated) outputs, and NO diodes on the coils, for better control over a wider range of operating conditions.
3. Do NOT use diodes:
- a) When using Current outputs from Parker (TOC8, XP, XP2, XT2) because they are already built into the circuitry.
 - b) On new IQAN modules (TOC2, XA2, MDL) for either Current or PWM outputs, ever.
4. Do use diodes:
- a) For ON/OFF DC applications, to save the manual switches from arcing themselves to death - caused by inductive kickback that results from the magnetic field collapsing.
 - b) When the solenoids are driven with digital outputs, always.
 - c) For non-regulated PWM outputs on older Parker modules for coils rated at 30 watts or larger.
5. Solenoid dampening orifices are available to retard spool shift times. They must be ordered separately. See Parker drawing #3762395.

**Pilot Generating/Regulating Section
 Operational and Set-up Information**



Solenoid Connection Information

Standard solenoids utilize "AMP Junior Power Timer" Connectors. Plastic connector housing is AMP #282189-1 (Parker #3914101378), one req'd for each solenoid. Rubber grommet is AMP #828905-1 (Parker #3914101380), two req'd for each solenoid. Wire Terminal is AMP #929930-3 (Parker #3914101379), two req'd for each solenoid. Crimp Tool is AMP #189400. Crimp Tool Die Set is AMP #734253.



Optional solenoids utilize Deutsch Connectors

Solenoids have Deutsch DT04-2P receptacle with pin terminals. The required mate is Deutsch DT06-2S plug with socket terminals.

A **Weather Pack** solenoid connector option is available that utilizes a jumper which converts Amp Junior Timer to Weather Pack. The jumper, Parker #391 1823 417 is terminated with Weather Pack 12010973 Shroud with male terminals. The required mate is Weather Pack 12015792 Tower with female terminals. Appropriate terminal and wire shroud sizes also need selected.

Solenoid Diode Information

Solenoids with diodes are polarity sensitive and are clearly marked + and - for this reason. Also, note that connecting them backwards will render them useless. The pilot generation solenoid coils come with diodes by default. The work section solenoids have optional diodes.

Terms of Sale with Warranty Limitations

Offer of Sale

The items described in this document and other documents or descriptions provided by Parker Hannifin Corporation, its subsidiaries and its authorized distributors are hereby offered for sale at prices to be established by Parker Hannifin Corporation, its subsidiaries and its authorized distributors. This offer and its acceptance by any customer ("Buyer") shall be governed by all of the following Terms and Conditions. Buyer's order for any such items, when communicated to Parker Hannifin Corporation, its subsidiary or an authorized distributor ("Seller") verbally or in writing, shall constitute acceptance of this offer.

1. Terms and Conditions of Sale: All descriptions, quotations, proposals, offers, acknowledgments, acceptances and sales of Seller's products are subject to and shall be governed exclusively by the terms and conditions stated herein. Buyer's acceptance of any offer to sell is limited to these terms and conditions. Any terms or conditions in addition to, or inconsistent with those stated herein, proposed by Buyer in any acceptance of an offer by Seller, are hereby objected to. No such additional, different or inconsistent terms and conditions shall become part of the contract between Buyer and Seller unless expressly accepted in writing by Seller. Seller's acceptance of any offer to purchase by Buyer is expressly conditional upon Buyer's assent to all the terms and conditions stated herein, including any terms in addition to, or inconsistent with those contained in Buyer's offer. Acceptance of Seller's products shall in all events constitute such assent.

2. Payment: Payment shall be made by Buyer net 30 days from the date of delivery of the items purchased hereunder. Amounts not timely paid shall bear interest at the maximum rate permitted by law for each month or portion thereof that the Buyer is late in making payment. Any claims by Buyer for omissions or shortages in a shipment shall be waived unless Seller receives notice thereof within 30 days after Buyer's receipt of the shipment.

3. Delivery: Unless otherwise provided on the face hereof, delivery shall be made F.O.B. Seller's plant. Regardless of the method of delivery, however, risk of loss shall pass to Buyer upon Seller's delivery to a carrier. Any delivery dates shown are approximate only and Seller shall have no liability for any delays in delivery.

4. Warranty: Seller warrants that the items sold hereunder shall be free from defects in material or workmanship for a period of 18 months from date of shipment from Parker Hannifin Corporation. **THIS WARRANTY COMPRISES THE SOLE AND ENTIRE WARRANTY PERTAINING TO ITEMS PROVIDED HEREUNDER. SELLER MAKES NO OTHER WARRANTY, GUARANTEE, OR REPRESENTATION OF ANY KIND WHATSOEVER. ALL OTHER WARRANTIES, INCLUDING BUT NOT LIMITED TO, MERCHANTABILITY AND FITNESS FOR PURPOSE, WHETHER EXPRESS, IMPLIED, OR ARISING BY OPERATION OF LAW, TRADE USAGE, OR COURSE OF DEALING ARE HEREBY DISCLAIMED. NOTWITHSTANDING THE FOREGOING, THERE ARE NO WARRANTIES WHATSOEVER ON ITEMS BUILT OR ACQUIRED WHOLLY OR PARTIALLY, TO BUYER'S DESIGNS OR SPECIFICATIONS.**

5. Limitation Of Remedy: SELLER'S LIABILITY ARISING FROM OR IN ANY WAY CONNECTED WITH THE ITEMS SOLD OR THIS CONTRACT SHALL BE LIMITED EXCLUSIVELY TO REPAIR OR REPLACEMENT OF THE ITEMS SOLD OR REFUND OF THE PURCHASE PRICE PAID BY BUYER, AT SELLER'S SOLE OPTION. IN NO EVENT SHALL SELLER BE LIABLE FOR ANY INCIDENTAL, CONSEQUENTIAL OR SPECIAL DAMAGES OF ANY KIND OR NATURE WHATSOEVER, INCLUDING BUT NOT LIMITED TO LOST PROFITS ARISING FROM OR IN ANY WAY CONNECTED WITH THIS AGREEMENT OR ITEMS SOLD HEREUNDER, WHETHER ALLEGED TO ARISE FROM BREACH OF CONTRACT, EXPRESS OR IMPLIED WARRANTY, OR IN TORT, INCLUDING WITHOUT LIMITATION, NEGLIGENCE, FAILURE TO WARN OR STRICT LIABILITY.

6. Changes, Reschedules and Cancellations: Buyer may request to modify the designs or specifications for the items sold hereunder as well as the quantities and delivery dates thereof, or may request to cancel all or part of this order, however, no such requested modification or cancellation shall become part of the contract between Buyer and Seller unless accepted by Seller in a written amendment to this Agreement. Acceptance of any such requested modification or cancellation shall be at Seller's discretion, and shall be upon such terms and conditions as Seller may require.

7. Special Tooling: A tooling charge may be imposed for any special tooling, including without limitation, dies, fixtures, molds and patterns, acquired to manufacture items sold pursuant to this contract. Such special tooling shall be and remain Seller's property notwithstanding payment of any charges by Buyer. In no event will Buyer acquire any interest in apparatus belonging to Seller which is utilized in the manufacture of the items sold hereunder, even if such apparatus has been specially converted or adapted for such manufacture and notwithstanding any charges paid by Buyer. Unless otherwise agreed, Seller shall have the right to alter,

discard or otherwise dispose of any special tooling or other property in its sole discretion at any time.

8. Buyer's Property: Any designs, tools, patterns, materials, drawings, confidential information or equipment furnished by Buyer or any other items which become Buyer's property, may be considered obsolete and may be destroyed by Seller after two (2) consecutive years have elapsed without Buyer placing an order for the items which are manufactured using such property. Seller shall not be responsible for any loss or damage to such property while it is in Seller's possession or control.

9. Taxes: Unless otherwise indicated on the face hereof, all prices and charges are exclusive of excise, sales, use, property, occupational or like taxes which may be imposed by any taxing authority upon the manufacture, sale or delivery of the items sold hereunder. If any such taxes must be paid by Seller or if Seller is liable for the collection of such tax, the amount thereof shall be in addition to the amounts for the items sold. Buyer agrees to pay all such taxes or to reimburse Seller therefore upon receipt of its invoice. If Buyer claims exemption from any sales, use or other tax imposed by any taxing authority, Buyer shall save Seller harmless from and against any such tax, together with any interest or penalties thereon which may be assessed if the items are held to be taxable.

10. Indemnity For Infringement of Intellectual Property Rights: Seller shall have no liability for infringement of any patents, trademarks, copyrights, trade dress, trade secrets or similar rights except as provided in this Part 10. Seller will defend and indemnify Buyer against allegations of infringement of U.S. Patents, U.S. Trademarks, copyrights, trade dress and trade secrets (hereinafter 'Intellectual Property Rights'). Seller will defend at its expense and will pay the cost of any settlement or damages awarded in an action brought against Buyer based on an allegation that an item sold pursuant to this contract infringes the Intellectual Property Rights of a third party. Seller's obligation to defend and indemnify Buyer is contingent on Buyer notifying Seller within ten (10) days after Buyer becomes aware of such allegations of infringement, and Seller having sole control over the defense of any allegations or actions including all negotiations for settlement or compromise. If an item sold hereunder is subject to a claim that it infringes the Intellectual Property Rights of a third party, Seller may, at its sole expense and option, procure for Buyer the right to continue using said item, replace or modify said item so as to make it noninfringing, or offer to accept return of said item and return the purchase price less a reasonable allowance for depreciation. Notwithstanding the foregoing, Seller shall have no liability for claims of infringement based on information provided by Buyer, or directed to items delivered hereunder for which the designs are specified in whole or part by Buyer, or infringements resulting from the modification, combination or use in a system of any item sold hereunder. The foregoing provisions of this Part 10 shall constitute Seller's sole and exclusive liability and Buyer's sole and exclusive remedy for infringement of Intellectual Property Rights.

If a claim is based on information provided by Buyer or if the design for an item delivered hereunder is specified in whole or in part by Buyer, Buyer shall defend and indemnify Seller for all costs, expenses or judgments resulting from any claim that such item infringes any patent, trademark, copyright, trade dress, trade secret or any similar right.

11. Force Majeure: Seller does not assume the risk of and shall not be liable for delay or failure to perform any of Seller's obligations by reason of circumstances beyond the reasonable control of Seller (hereinafter 'Events of Force Majeure'). Events of Force Majeure shall include without limitation, accidents, acts of God, strikes or labor disputes, acts, laws, rules or regulations of any government or government agency, fires, floods, delays or failures in delivery of carriers or suppliers, shortages of materials and any other cause beyond Seller's control.

12. Entire Agreement/Governing Law: The terms and conditions set forth herein, together with any amendments, modifications and any different terms or conditions expressly accepted by Seller in writing, shall constitute the entire Agreement concerning the items sold, and there are no oral or other representations or agreements which pertain thereto. This Agreement shall be governed in all respects by the law of the State of Ohio. No actions arising out of the sale of the items sold hereunder or this Agreement may be brought by either party more than two (2) years after the cause of action accrues.

9/91-P



Parker Safety Guide for Selecting and Using Hydraulic Valves and Related Accessories



WARNING: Failure or improper selection or improper use of Parker Hydraulic Valve Division (HVD) Valves or related accessories (“Products”) can cause death, personal injury and property damage. Possible consequences of failure or improper use of these Products include but are not limited to:

- Valves or parts thereof thrown off at high speed
- High velocity fluid discharge
- Explosion or burning of the conveyed fluid
- Contact with suddenly moving or falling objects controlled by the Valve
- Injections by high-pressure fluid discharge
- Contact with fluid that may be hot, cold, toxic or otherwise injurious
- Injuries resulting from injection, inhalation or exposure to fluids
- Injury from handling a heavy item (dropped, awkward lift)
- Electric shock from improper handling of solenoid connections
- Injury from slip or fall on spilled or leaked fluid

Before selecting or using any of these Products, it is important that you read and follow the instructions below. In general, the Products are not approved for in-flight aerospace applications. Consult the factory for the few that are FAA approved.

1.-1 **GENERAL INSTRUCTIONS**

- 1.1 **Scope:** This safety guide provides instructions for selecting and using (including assembling, installing and maintaining) these Products. For convenience all items in this guide are called “Valves”. This safety guide is a supplement to and is to be used in conjunction with the specific Parker catalogs for the specific Valves and/or accessories being considered for use. See item 1.6 below for obtaining those catalogs.
- 1.2 **Fail-Safe:** Valves can and do fail without warning for many reasons. Design all systems and equipment in a fail-safe mode, so that failure of the Valve or Valve Assembly will not endanger persons or property.
- 1.3 **Safety Devices:** Never disconnect, override, circumvent or otherwise disable any safety lockout on any system whether powered by HVD Valves or any motion control system of any manufacturer. (e.g. Automatic shut-off on a riding lawn mower should the operator get out of the seat).
- 1.4 **Distribution:** Provide a copy of this safety guide to each person that is responsible for selecting or using HVD Valve Products. Do not select HVD Valves without thoroughly reading and understanding this safety guide as well as the specific Parker catalogs for the Products considered or selected.
- 1.5 **User Responsibility:** Due the wide variety of operating conditions and applications for Valves, HVD and its distributors do not represent or warrant that any particular Valve is suitable for any specific system. This safety guide does not analyze all technical parameters that must be considered in selecting a product. The user, through its own analysis and testing is solely responsible for:
 - Making the final selection of the Valve
 - Assuring that the user’s requirements are met and that the application presents no health or safety hazards.
 - Providing all appropriate health and safety warnings on the equipment on which the Valves are used.
 - Assuring compliance with all applicable government and industry standards.
- 1.6 **Additional Questions:** Call the appropriate Parker technical service department if you have any questions or require any additional information. See the Parker publication for the product being considered or used, or call 1-800-CPARKER, or go to www.parker.com, for the telephone numbers of the appropriate technical service department. For additional copies of this or any other Parker Safety Guide go to www.parker.com and click on the safety button on the opening page. Catalogs and/or catalog numbers for the various HVD Valve Products can be obtained by calling HVD at 440-366-5100. Phone numbers and catalog information is also available on the Parker website, www.parker.com.

2.0 **VALVE SELECTION INSTRUCTIONS**

- 2.1 **Pressure:** Valve selection must be made so that the maximum working pressure of the Valve is equal to or greater than the maximum system pressure. Surge, impulse or peak transient pressures in the system must be below the maximum working pressure of the Valve. Surge, impulse and peak pressures can usually be determined by sensitive electrical instrumentation that measures and indicates pressures at millisecond intervals. Mechanical pressure gauges indicate only average pressure and cannot be used to determine surge, impulse or peak transient pressures. Burst pressure ratings if given or known are for manufacturing purposes only and are not an indication that the Product can be used in applications at the burst pressure or otherwise above the maximum working pressure.
- 2.2 **Temperature:** The fluid temperature must be regulated or controlled so that the operating viscosity of the fluid is maintained at a level specified for the particular Valve product. Such ranges are given in the product catalogs or can be obtained from the appropriate customer service department for the particular Valve product.
- 2.3 **Fluid Compatibility:** The fluid conveyed in Valves has direct implications on the Valve selection. The fluid must be chemically compatible with the Valve component materials. Elastomer seals, brass, cast iron, aluminum for example all are potentially affected by certain fluids. Additionally, fluid selection affects the performance of various Valves. Considerations relative to fluid selection are outlined in the specific HVD Valve product catalog. Of particular importance is that the fluid be for hydraulic use, contain the proper additives and wear inhibitors. See 1.6 “Additional Questions” above for information to obtain such HVD catalogs.
- 2.4 **Changing Fluids:** If a system requires a different fluid, it should be done with the guidance in number 2.3 above. Additionally, it may be necessary to flush the system (including the Valves) to remove any of the previous fluid. Consult the Parker Valve Division for guidance.
- 2.5 **Size:** Transmission of power by means of pressurized fluid varies with pressure and rate of flow. The size of the components must be adequate to keep pressure losses to a minimum and avoid damage due to heat generation or excessive fluid velocity.
- 2.6 **Placement:** Installation of Valves must take into account the orientation of the Valve and the proximity of the Valve to other parts of the system. This includes but is not limited to closeness to hot and cold areas, access for servicing and operation as well as orientation for proper connectors.
- 2.7 **Ports:** Connection of Valves in systems can be by threaded ports, sub-base surfaces, flanges and manifolds. In all cases, the proper fitting, surface or mounting hardware must be selected to properly seal and contain the system fluid so as to avoid the adverse conditions listed in the initial warning box above. Specifically, if using threaded ports, the designer must make sure that the mating fitting is of the compatible thread. Also, the instructions provided by the connector hardware supplier must be read and understood so as to properly assemble the connector. The Parker Safety Guide for using Hose, Tubing and Fittings and Related Accessories is but one reference to this end.
- 2.8 **Environment:** Care must be taken to insure that the Valve and Valve Assemblies are either compatible with or protected from the environment (that is, surrounding conditions) to which they are exposed. Environmental conditions including but not limited to ultraviolet radiation, sunlight, heat, ozone, moisture, water, salt water, chemicals and air pollutants can cause degradation and premature failure.
- 2.9 **Electric Power:** For Valves requiring electric power for control, it is imperative that the electricity be delivered at the proper voltage, current and wattage requirements. To obtain the proper control requirements please refer to the respective Parker product catalog for the specific Valve that is intended for use. If further guidance is required, call the appropriate technical service department identified in the respective Parker product catalog.
- 2.10 **Specifications and Standards:** When selecting Valves, government, industry and Parker specifications and recommendations must be reviewed and followed as applicable.
- 2.11 **Accessories:** All accessories used in conjunction with any Parker Valve product must be rated to the same requirements of the Valve including but not limited to pressure, flow, material compatibility, power requirements. All of these items must be examined as stated in the “VALVE INSTALLATION INSTRUCTIONS” paragraph 3.0.

(continued on next page)

3.0 VALVE INSTALLATION INSTRUCTIONS

- 3.1 **Component Inspection:** Prior to use, a careful examination of the Valve(s) must be performed. The Valve intended for use must be checked for correct style, size, catalog number and external condition. The Valve must be examined for cleanliness, absence of external defects or gouges, cracked or otherwise deformed parts or missing items. The mounting surface or port connections must be protected and free of burrs, scratches, corrosion or other imperfections. Do NOT use any item that displays any signs of nonconformance. In addition, any accessory including but not limited to fittings, bolt kits, hoses, sub bases, manifolds, and electrical connectors must be subjected to the same examination.
- 3.2 **Handling Valves:** Many Valves whether HVD Valves or of another manufacturer can be large, bulky or otherwise difficult to handle. Care must be taken to use proper lifting techniques, tools, braces, lifting belts or other aids so as not to cause injury to the user, any other person or to property.
- 3.3 **Filtration:** Fluid cleanliness is a necessity in any hydraulic system. Fluid filters must be installed and maintained in the system to provide the required level of fluid cleanliness. Filters can be placed in the inlets, pressure lines and return lines. The level of cleanliness required is specified in the HVD product catalog for the specific Valve(s) selected or intended for use. For additional information on Filter selection contact Parker Filter Division at 800-253-1258 or 419-644-4311.
- 3.4 **Servo Valves:** Application of Servo Valves in general requires knowledge and awareness of “closed loop control theory” and the use of electronic controls for successful and safe operation. Individuals who do not have such experience or knowledge must gain training before use of such Products. Parker offers both classroom training as well as manuals to individuals in gaining this knowledge. These aids can be obtained by contacting Hydraulic Valve Division at 440-366-5100, calling the general Parker help line 800-CPARKER or going to the Parker web site at www.parker.com.
- 3.5 **Accessory Ratings:** All accessories used in combination with the selected or intended Valve product must be rated and compatible with the selected Valve. Specifically, the items must be of equal or greater rating including but not limited to pressure, flow, power, size, port style, thread connectors and material.
- 3.6 **Connection Styles:** It is the responsibility of the user of the Parker product to properly select connectors and accessories that match the connections on the sub plate, Valve, flange or threaded connection or manifold. It is also the responsibility of the installer to possess adequate skill and knowledge including but not limited to thread preparation, torque technique, hose assembly and inspection, tube preparation and assembly, and fitting installation. Parker Tube Fitting Division (www.parker.com/tfd) catalog 4300 and Parker Hose Products (www.parkerhose.com) catalog 4400 describe some basic technical information relative to proper fitting assembly.
- 3.7 **Electrical Connections:** All electrical connections must be made to the applicable codes and local safety requirements.
- 3.8 **Gauges and Sensors:** The user must install sufficient gauges and sensors in the system so as to be able to determine the condition of the system. This includes but is not limited to pressure gauges, flow meters, temperature sensors and site gauges. These are of utmost importance should removal or disassembly of a Valve, portion of a Valve or portion of the system become necessary. Refer to “VALVE MAINTENANCE AND REPLACEMENT INSTRUCTIONS” for details and especially item 4.8.
- 3.9 **System Checkout:** Once installed, the Valve installation must be tested to insure proper operation and that no external leakage exists. All safety equipment must be in place including but not limited to safety glasses, helmets, ear protection, splash guards, gloves, coveralls and any shields on the equipment. All air entrapment must be eliminated and the system pressurized to the maximum system pressure (at or below the Valve maximum working pressure) and checked for proper function and freedom from leaks. Personnel must stay out of potentially hazardous areas while testing and using.

4.0 VALVE MAINTENANCE AND REPLACEMENT INSTRUCTIONS

- 4.1 **Maintenance Program:** Even with proper installation, Valves and Valve System life may be significantly reduced without a continuing maintenance program. The severity of the application and risk potential must determine the frequency of the inspection and the replacement of the Products so that Products are replaced before any failure occurs. A maintenance program must be established and followed by the user and, at a minimum, must include instructions 4.2 through 4.10. An FMEA (Failure Mode and Effects Analysis) is recommended in determining maintenance requirements.
- 4.2 **Visual Inspection-Valves:** Any of the following conditions require immediate shut down and replacement of the Valve.
- Evidence that the Valve is in partial dis-assembly.
 - Visible crack or suspicion of a crack in the Valve housing or bent, cracked or otherwise damaged solenoid.
 - Missing or partially extending drive pin on a flow control knob.
 - Missing, loose components, obstructions or other condition impeding the motion or function of the manual knob, lever, foot pedal or other mechanical operator of a hydraulic Valve.
 - Any evidence of burning or heat induced discoloration.
 - Blistered, soft, degraded or loose cover of any kind.
 - Loose wire or electrical connector.
- 4.3 **Visual Inspection-Other:** The following conditions must be tightened, repaired, corrected or replaced as required.
1. Fluid on the ground must be cleaned immediately. Also, the source of the fluid must be determined prior to running the equipment again.
 2. Leaking port or excessive external dirt build-up.
 3. System fluid level is too low or air is entrapped or visible in the reservoir.
 4. Equipment controlled by the Valve or Valve assembly has been losing power, speed, efficiency
- 4.4 **Filter Maintenance:** System filters must be maintained and kept in proper working order. The main service requirement is periodic replacement of the filter element or screen. Contact Parker Filter Division at 800-253-1258 or 419-644-4311 for further filter maintenance details.
- 4.5 **Functional Test:** See “System Checkout” number 3.9 above in “VALVE INSTALLATION INSTRUCTIONS”.
- 4.6 **Replacement Intervals:** Valves and Valve Systems will eventually age and require replacement. Seals especially should be inspected and replaced at specific replacement intervals based on previous experience, government or industry recommendations, or when failures could result in unacceptable downtime, damage or injury risk. At a minimum seals must be replaced whenever service is rendered to a Valve product.
- 4.7 **Adjustments, Control Knobs, and Other Manual Controls:** System Pressure and Flow are typically adjusted by knobs and/or handles. A set-screw or lock-nut secures the adjustment device so as to maintain the desired setting. This set-screw or lock-nut must first be loosened prior to making any adjustments and re-tightened after adjustment on the HVD Valve. All adjustments must be made in conjunction with pressure gauges and/or flow meters (or by watching the speed of the actuator in the case of setting flow only). See paragraph “Gauges and Sensors” above in the section “VALVE INSTALLATION INSTRUCTIONS”. Under no circumstances should any control knob, adjustment stem, handle, foot pedal or other actuating device be forced beyond the mechanical stop(s) on the Valve. For example, the Parker Safety Notice Bulletin **HY14-3310-B1/US** for HVD Colorflow Valves specifically restricts the adjustment torque to “hand adjust” or “less than 10 ft/lbs” if it cannot be adjusted by hand. Failure to adhere to this may force the knob beyond the stop point allowing it to be ejected at high speed resulting in death, personal injury and property damage. For complete safety instructions on HVD Colorflow Valves, copies of Safety Notice **Bulletin HY14-3310-B1/US** can be obtained directly from the Hydraulic Valve Division at 440-366-5100 or from the Parker web site at www.parker.com by selecting the “Safety” button. Parker help line 800-CPARKER is on call 24/7 as well should there be any question about the use of a HVD Valve. Additionally, when making adjustments, always adjust the Valve with all parts of your body to the side of the Valve (that is, the knob is not pointing toward you or anyone else).
- 4.8 **High pressure Warning:** Hydraulic power is transmitted by high-pressure fluids through hoses, fittings and valves, pumps and actuators. This condition can be dangerous and potentially lethal and, therefore, extreme caution must be exercised when working with fluids under pressure. From time to time, hoses, Valves, tubes or fittings fail if they are not replaced at proper time intervals. Typically these failures are the result of some form of misapplication, abuse, wear, or failure to perform proper maintenance. When such failure occurs, generally the high pressure fluid inside escapes in a stream which may or may not be visible to the user. Under no circumstances should the user attempt to locate the leak by “feeling” with their hands or any other part of their body. High-pressure fluids can and will penetrate the skin and cause severe tissue damage and possible loss of limb or life. Even seemingly minor hydraulic fluid injection injuries must be treated immediately by a physician with knowledge of the tissue damaging properties of hydraulic fluid. If a hose, tube, fitting or Valve failure occurs, immediately shut down the equipment and leave the area until pressure has been completely released from the system. Simply shutting down the pump may or may not eliminate the pressure in the system. It may take several minutes or even hours for the pressure to be relieved so that the leak area can be examined safely. Once the pressure has been reduced to zero, the suspected leaking item can be taken off the equipment and examined. It must always be replaced if a failure has occurred. Never attempt to patch or repair a connector (especially a hose) or Valve that has failed. Consult the nearest Parker distributor or the appropriate Parker division for component replacement information. Never touch or examine a failed hydraulic component unless it is obvious that the item no longer contains fluid under pressure.

Parker Hydraulics International Sales Offices

North America

Motion & Control Division – Montreal

2001 rue de l'aviation
Dorval, Quebec, H9P 2X6
Tel: 514-684-3000
Fax: 514-684-4191

Motion & Control Division – Calgary

3141B – 16th Street N.E.
Calgary, Alberta T2E 7K8
Tel: 403-291-9284
Fax: 403-291-9285

Mexico

Parker Hannifin de Mexico, S.A. C.V

Via de Ferrocarril a Matamoros 730
Apodaca, N.L. C.P. 66600, Mexico
Tel: 01-8181-566036 y 96

Europe

Austria

Parker Hannifin GmbH
Badener Strasse 12
AT-2700 Wiener Neustadt, Austria
Tel: 43 2622-23501 970
Fax: 43 2622-23501 977

Belarus

Parker Hannifin Corporation
Pr. Nezavisimosti, 11, Office 524
BY-220030 Minsk, Belarus
Tel: 375 17 209 9399
Fax: 375 17 209 9227

Belgium

Parker Hannifin SA NV
ZI Sud 2
23, Rue du Bosquet
BE-1400 Nivelles, Belgium
Tel: 32 67 280 900
Fax: 32 67 280 999

Czech Republic/Slovakia

Parker Hannifin s.r.o.
Parkerova 623
CZ-250 67 Klecany, Czech Republic
Tel: 420 284 083 111
Fax: 420 284 083 112

Denmark

Parker Hannifin Denmark A/S
Industriparken 35-37
DK-2750 Ballerup, Denmark
Tel: 45 43 56 04 00
Fax: 45 43 73 31 07

Finland

Parker Hannifin Oy
Ylästöntie 16
FI-01520 Vantaa, Finland
Tel: 358 20 753 2500
Fax: 358 20 753 2200

Europe

France

Parker Hannifin France SAS
142, rue de la Forêt
FR-741 30 Contamine sur Arve, France
Tel: 33 4-50 25 80 25
Fax: 33 4-50 03 67 37

Germany/Switzerland

Parker Hannifin GmbH & Co. KG
Pat-Parker-Platz 1
DE-41564 Kaarst, Germany
Tel: 49 (0) 2131 4016 0
Fax: 49 (0) 2131 4016 9199

Greece

Parker Hannifin Corporation
197 Syngrou Av.
GR-171 21 Athens, Greece
Tel: 0030 210 933-6450
Fax: 0030 210 933-6451

Hungary

Parker Hannifin Corporation
Hungarian Trade Representative Office
Egressy u. 100
HU-1149 Budapest, Hungary
Tel: 36 1 220 4155
Fax: 36 1 422 1525

Ireland

Parker Hannifin Ireland Ltd
Baldonnell Business Park
Baldonnell, Naas Road
IE-Co. Dublin, Ireland
Tel: 353 (0)1 466 63 70
Fax 353 (0)1 466 63 76

Italy

Parker Hannifin SpA
Via Privata Archimede 1
IT-200 94 Corsico (MI), Italy
Tel: 39 02-45 19 21
Fax: 39 02-44 79 340

Latvia (Lithuania, Kaliningrad)

Parker Hannifin Corporation
79A Slokas Street, Office No. 6
LV-1007 Riga, Latvia
Tel: 371 74 52 601
FAx: 371 74 52 608

The Netherlands

Parker Hannifin BV
Edisonstraat 1
NL-7575 AT Oldenzaal, The Netherlands
Tel: 31 541 585 000
Fax: 31 541 585 459

Norway

Parker Hannifin A/S
Berghagan
PO Box 3008
NO-1402 Ski, Norway
Tel: 47 64-91 10 00
Fax: 47 64-91 10 90

Europe

Poland

Parker Hannifin Sp.zo.o
ul. Równolegla 8
PL-02-435 Warszawa, Poland
Tel: 48 22 573 24 00
Fax: 48 22 573 24 03

Portugal

Parker Hannifin Portugal, Lda
Travessa da Bataria 184 R/C
Dto./1 Esq.
PT-4450-625 Leça da Palmeira, Portugal
Tel: 351 22 999 7360
Fax: 351 22 996 1527

Romania

Hidro Consulting Impex SRL
Bld Ferdinand nr 27, Sect 2
RO-021381 Bucharest, Romania
Tel: 40 21 252 13 82
Fax: 40 21 252 33 81

Russia

Moscow
Parker Hannifin LLC
8-go Marta str., 6A, build 1
RU-127083 Moscow, Russia
Tel: 7 495 645 21 56
Fax: 7 495 612 18 60

Sakhalin

Parker Hannifin LLC
Branch Office Sakhalin
Pr. Mira 1
RU-693012 Yuzhno-Sakhalinsk, Russia
Tel: 7 4242 42 35 27
Fax: 7 4242 42 35 27

Slovenia

Parker Hannifin Corporation
Vel. Bucna vas 7
SI-8000 Novo mesto, Slovenia
Tel: 386 7 337 6650
Fax: 386 7 337 6651

Spain

Parker Hannifin España SA
P.O. Box No. 74
P. I. Las Monjas, c/Estaciones, 8
ES-28850 Torrejón de Ardoz
Madrid, Spain
Tel: 34 91-675 73 00
Fax: 34 91-675 77 11

Sweden

Parker Hannifin AB
Fagerstagatan 51
Box 8314
SE-163 08 Spånga, Sweden
Tel: 46 8 5979 50 00
Fax: 46 8 5979 51 10

(continued on next page)

04/07

Parker Hydraulics International Sales Offices

Europe

Parker Hannifin AB
Almenåsvägen 22
SE-501 78 Borås, Sweden
Tel: 46 33 700 52 00
Fax: 46 33 13 89 40

Turkey

**Parker Hannifin Corporation
Liaison Office of Turkey**
Merter Is Merkezi
Gen. Ali Riza Gurcan cad. No: 2 / 67
TR-34067 Merter/Istanbul, Turkey
Tel: 90 212 482 91 06/07
Fax: 90 212 482 91 10

Ukraine

**Parker Hannifin Corporation
Representation Office in Ukraine**
vul. Velyka Vasylkivska 9/2 Office 59
UA-01004 Kyiv, Ukraine
Tel: 380 44 494 2731/2732/2724
Fax: 380 44 494 2730

United Kingdom

Parker Hannifin Ltd
Tachbrook Park Drive
Tachbrook Park
UK-Warwick, CV34 6 TU, England
Tel: 44 1926 317 878
Fax: 44 1926 317 855

Middle East

Azerbaijan

**Parker Hannifin plc
Azpar, Technical Representative**
140 Alovzat Guliyev St. Apt. 10
AZ-1000 Baku, Azerbaijan
Tel: 99 412 598 3966
Fax: 99 412 598 3966

Egypt

Parker Hannifin Corporation
8B Zahraa Maadi
Region 17F
Cairo, Egypt
Tel: (20) 2 5194018
Fax: (20) 2 5190605

Kazakhstan

**Parker Hannifin
Gateway Ventures CA Ltd, Representative**
7A Kabanbai Batira
KZ-480100 Alamy, Kazakhstan
Tel: 7 3272 505 800
Fax: 7 3272 505 801

Asia Pacific

China

**Parker Tejing
Hydraulic Tianjin**
21 Hongyuan Road
Xiqing Development Zone
CN-Tianjin 300385, China
Tel: 86 22 5838 8899
Fax: 86 22 5838 8917

India

Parker Hannifin India Pvt Ltd
Plot No. EL-26, MIDC, TTC Industrial Area
Mahape,
IN-Navi Mumbai 400 709, India
Tel: 91 22 5613 7081/7082/7083/7084
Fax: 91 22 2768 6841/6618

Japan

Parker Hannifin Japan Ltd
Shirokanedai Building 2nd Floor
3-2-10, Shirokanedai, Minato-ku
JP-Tokyo, 108-0071, Japan
Tel: 81 3 6408 3900
Fax: 81 3 5449 7201

Malaysia

**Parker Hannifin Singapore Pte Ltd
(Malaysia Branch Office)**
Lot 558A, Jalan Subang 3
Off Persiaran Subang
Sungai Penaga Industrial Park
MY-47610 Subang Jaya, Malaysia
Tel: 60 (0)3 5638 1476
Fax: 60 (3)3 5638 1527

New Zealand

Parker Hannifin (N.Z.) Ltd
3 Bowden Road
Mt. Wellington, Auckland, New Zealand
Tel: 64 9 574 1744
Fax: 64 9 573 1529

Singapore

Parker Hannifin Singapore Pte Ltd
No. 11 Fourth Chin Bee Road
SG-Singapore 619702,
Republic of Singapore
Tel: 65 6887 6300
Fax: 65 6265 5125

Asia Pacific

Taiwan

Parker Hannifin Taiwan Co., Ltd
No. 40, Wuchiuan 3rd Rd.,
Wuku Industrial Park
Taipei County, Taiwan 248, R.O.C.
Tel: 886 2 2298 8987
Fax: 886 2 2298 8982

Thailand

Parker Hannifin Thailand Co., Ltd
1023, 3rd floor, TPS building
Pattanakarn Road, Suanluang
Bangkok 10250, Thailand
Tel: 662 717 8140
Fax: 662 717 8148

Latin America

Pan American Division

7400 NW 19th Street, Suite A
Miami, FL 33126 USA
Tel: 305-470-8800
Fax: 305-470-8808

Argentina

Parker Hannifin Argentina SAIC
Stephenson 2711 esq. Costa Rica
1667 Tortuguitas
Buenos Aires, Argentina
Tel: 54 3327 44 4129
Fax: 54 3327 44 4199

Chile

Parker Hannifin Chile Ltda
Av. Americo Vespucio 2760-E
Conchali - Santiago, Chile
Tel: 56-2-623-1216
Fax: 56-2-623-1421

Venezuela

Parker Hannifin de Venezuela, SA
Av. Principal con calle Miraima
Edificio Draza, Boleita Norte
Caracas, Venezuela
Tel: 58 212 238 5422
Fax: 58 212 239 2272



Extensive Hydraulic Product Offering

Accumulators



Piston, bladder and diaphragm type accumulators, gas bottles and KleenVent reservoir isolators.

www.parker.com/accumulator

Compact Hydraulics



Self-contained with a motor, gear pump, reservoir, internal valving, load hold checks and relief valves.

www.parker.com/oilydyne

Cylinders



Standard and custom hydraulic cylinders for industrial and mobile applications.

www.parker.com/hydcyl

Electronics/Remote Controls



Parker's unique IQAN approach combines sturdy, well-tested hardware with intelligent, flexible computing power.

www.parker.com/iqan

Filtration



Pressure and return line filters enhances machine life, reduces maintenance and lowers costs.

www.parker.com/hydraulicfilter

Integrated Hydraulic Circuits



Solutions for complex circuits that include threaded cartridge valves integrated into a single manifold.

www.parker.com/ihd

Motors



Full line of high and low speed motors provides power up to 15,000 in-lbs of torque.

www.parker.com/pumpmotor

Power Take Off



Parker Chelsea leads the industry for engineering, innovation and performance in auxiliary power systems.

www.parker.com/chelsea

Power Units



The most complete line of standard, pre-engineered, cataloged hydraulic power units in the industry.

www.parker.com/pumpmotor

Pumps



Broad line of energy-efficient hydraulic pumps that includes piston, vane and gear pumps.

www.parker.com/mobpump

Rotary Actuator



Industry leader in the design and manufacture of hydraulic rack and pinion, and vane style rotary actuators.

www.parker.com/actuator

Valves and Controls



Hydraulic valves for virtually every hydraulic equipment application, from simple to precise control.

www.parker.com/hydraulicvalve

Covering the Industrial, Mobile and Truck markets, each catalog is paired with an interactive CD. Call for your comprehensive guides today. 1-800-CParker



Industrial Bulletin
HY01-1000/US

Mobile Bulletin
HY19-1001/US

Truck Bulletin
HY19-1004/US

Parker Hydraulics International Sales Offices

North America

Hydraulics Group Headquarters
6035 Parkland Boulevard
Cleveland, OH 44124-4141 USA
Tel: 216-896-3000
Fax: 216-896-4031

**Parker Hannifin Canada
Motion & Control Division – Milton**
160 Chisholm Drive Milton
Ontario Canada L9T 3G9
Tel: 905-693-3000
Fax: 905-876-1958

Mexico

Parker Hannifin de México
Av eje uno norte num 100
Parque Industrial Toluca 2000
Toluca, Mex C.P. 50100
Tel: 52 722 2754200
Fax: 52 722 2799308

Europe

**Europe Hydraulics Group
Parker Hannifin Corporation**
Parker House
55 Maylands Avenue
Hemel Hempstead, Herts
HP2 4SJ England
Tel: 44 1442 458000
Fax: 44 1442 458085

Latin America

**Brazil
Hydraulics Division
Parker Hannifin Ind. e Com. Ltda**
Av. FredericoRitter, 1100
Cachoeirinha RS, 94930-000 Brazil
Tel: 55 51 3470 9144
Fax: 55 51 3470 3100

Mobile Sales

**Mobile Sales Organization
and Global Sales**
595 Schelter Road
Suite 100
Lincolnshire, IL 60069 USA
Tel: 847-821-1500
Fax: 847-821-7600

Industrial Sales

Great Lakes Region
3700 Embassy Parkway
Suite 260
Fairlawn, OH 44333 USA
Tel: 330-670-2680
Fax: 330-670-2681

Southern Region

1225 Old Alpharetta Road
Suite 290
Alpharetta, GA 30005 USA
Tel: 770-619-9767
Fax: 770-619-9806

Chicago Region

1163 E. Ogden Avenue
Suite 705, #358
Naperville, IL 60563 USA
Tel: 630-964-0796
Fax: 866-473-9274

Pacific Region

8460 Kass Drive
Buena Park, CA 90621
Tel: 714-228-2510
Fax: 714-228-2511

Eastern Region

100 Corporate Drive
Lebanon, NJ 08833 USA
Tel: 908-236-4121
Fax: 908-236-4146

Asia Pacific

**Asia Pacific Headquarters
Parker Hannifin Hong Kong Ltd**
8/F, Kin Yip Plaza
9 Cheung Yee Street
HK-Cheung Sha Wan, Hong Kong
Tel: 852 2428 8008
Fax: 852 2425 6896

Australia Headquarters

Parker Hannifin Pty Ltd.
9 Carrington Road
Castle Hill, NSW 2154, Australia
Tel: 612 9634 7777
Fax: 612 9842 5111

China Headquarters

**Parker Hannifin Motion & Control
(Shanghai) Co., Ltd**
280 Yunqiao Road,
Jin Qiao Export Processing Zone
CN-Shanghai 201206, China
Tel: 86 21 5031 2525
Fax: 86 21 5834 3714

Korea Headquarters

Parker Hannifin Korea Ltd
6F Daehwa Plaza
169 Samsung-dong, Gangnam-gu
KR-Seoul, 135-090, Korea
Tel: 82 2 559 0400
Fax: 82 2 556 8187

South Africa

**Parker Hannifin Africa Pty Ltd
Parker Place**
10 Berne Avenue Aeroport
P.O. Box 1153
ZA-Kempton Park 1620,
Republic of South Africa
Tel: 27 11 961 0700
Fax: 27 11 392 7213

Catalog HY14-2007/US, 11/07



**Parker Hannifin Corporation
Hydraulic Valve Division**
520 Ternes Avenue
Elyria, Ohio 44035 USA
Tel: 440 366 5200
Fax: 440 366 5253
www.parker.com/hydraulicvalve

Your Local Authorized Parker Distributor