

**General Description.**

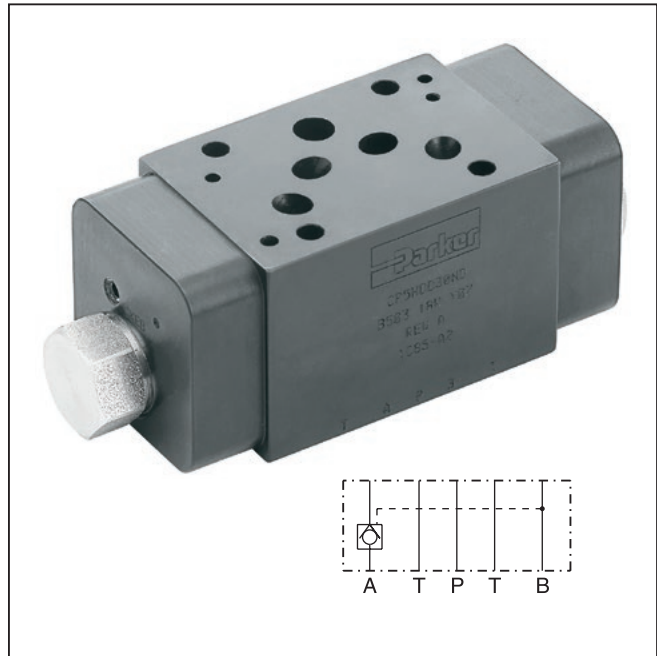
Series CP pilot operated check valves are designed for maximum flow rates.

The valves are typically used in combination with spool type directional control valves to ensure leak free positioning of the actuator.

The inlet flow is free while the outlet flow is blocked. Pressure in the inlet line opens the check valve and allows free outlet flow.

**Features**

- High life time.
- Check function in A, B or A + B.
- Sizes:
  - CP05 – NFPA D05 / NG10 / CETOP 5
  - CP5H – NFPA D05HE / NG10 / CETOP 5H
  - CP07 – NFPA D07 / NG16 / CETOP 7
  - CP08 – NFPA D08 / NG25 / CETOP 8



**Specifications**

General				
Size	D05 / NG10	D05HE / NG10	D07 / NG16	D08 / NG25
Mounting Position	Unrestricted			
Ambient Temperature Range	-20°C to +50°C (-4°F to +122°F)			
Hydraulic				
Maximum Operating Pressure	Aluminum Body – up to 207 Bar (3000 PSI); Ductile Iron Body – up to 345 Bar (5000 PSI)			
Nominal Flow	114 LPM (30 GPM)	114 LPM (30 GPM)	227 LPM (60 GPM)	454 LPM (120 GPM)
Leakage	1 DPM	1 DPM	1 DPM	1 DPM
Cracking Pressure	30 ± 0.2 Bar (3 PSI)			
Pilot Ratio	3:1	3:1	3:1	3:1
Fluid Temperature	-20°C to +80°C (-4°F to +176°F)			
Viscosity	10 to 650 cSt / mm <sup>2</sup> /s (46 to 3013 SSU)			
Permitted Recommended	30 cSt / mm <sup>2</sup> /s (139 SSU)			
Filtration	ISO Class 4406 (1999) 18/16/13 (acc. NAS 1638: 7)			

**CP**  
 Pilot Operated  
 Check Valve

Size

Code	Description
03	See CPOM2
05	NFPA D05 / NG10
5H*	NFPA D05HE / NG10
07	NFPA D07 / NG16
08	NFPA D08 / NG25

\* Valve comes with D05HE (ISO) pattern seal plate (990-120-012). If D05H pattern is required, order seal plate kit 990-120-009.

Style

**30**  
 Cracking  
 Pressure

Code	Description
30	2 Bar (30 PSI)

Code	Description
AA	Blocked in A
BB	Blocked in B
DD	Blocked in A and B

Seal

Body  
 Material

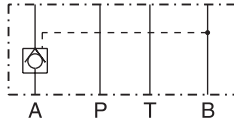
Code	Description
A	Aluminum
D	Ductile Iron

Code	Description
N	Nitrile
V*	Fluorocarbon

\* Upon request.

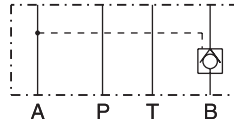
**CP\*\*AA**

blocked in A



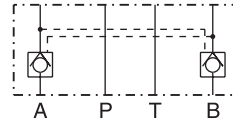
**CP\*\*BB**

blocked in B



**CP\*\*DD**

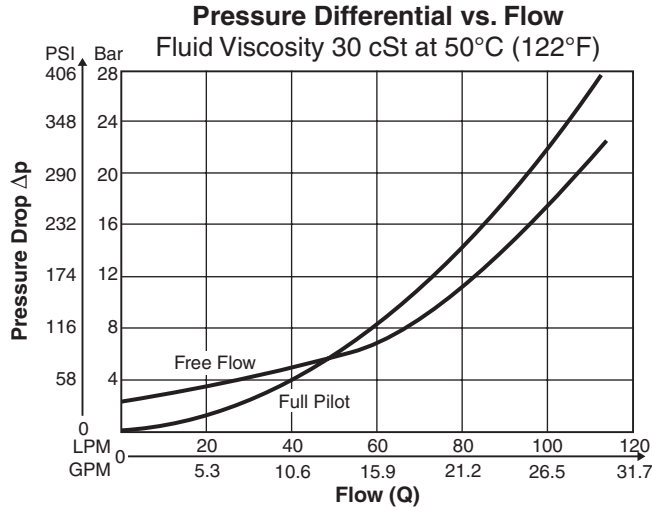
blocked in A and B



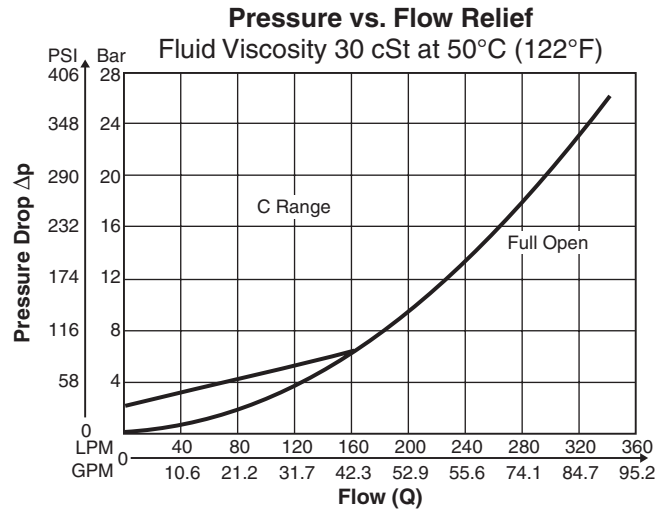
**Weight:**

Size	CP**AA30NA	CP**AA30ND	CP**BB30NA	CP**BB30ND	CP**DD30NA	CP**DD30ND
CP05, CP5H	0.8 kg (1.8 lbs.)	1.7 kg (3.8 lbs.)	0.8 kg (1.8 lbs.)	1.7 kg (3.8 lbs.)	1.3 kg (2.9 lbs.)	2.7 kg (5.9 lbs.)
CP07	2.4 kg (5.4 lbs.)	5.3 kg (11.8 lbs.)	2.4 kg (5.3 lbs.)	5.2 kg (11.6 lbs.)	3.5 kg (7.6 lbs.)	7.2 kg (15.8 lbs.)
CP08	5.2 kg (11.4 lbs.)	11.6 kg (25.6 lbs.)	5.8 kg (12.7 lbs.)	13.1 kg (29 lbs.)	7.6 kg (16.7 lbs.)	15.9 kg (35.1 lbs.)

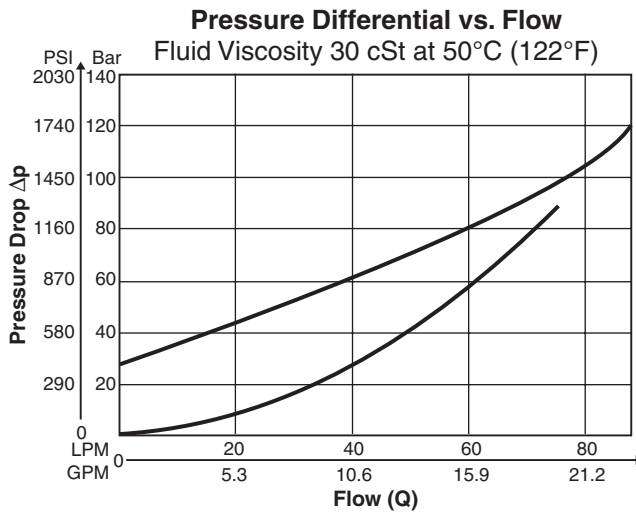
**CP05/CP5H**



**CP07**



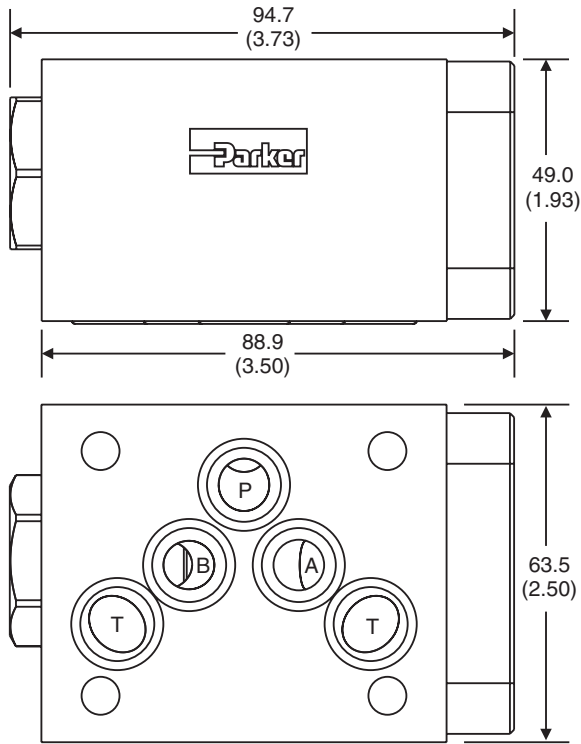
**CP08**



**Dimensions**

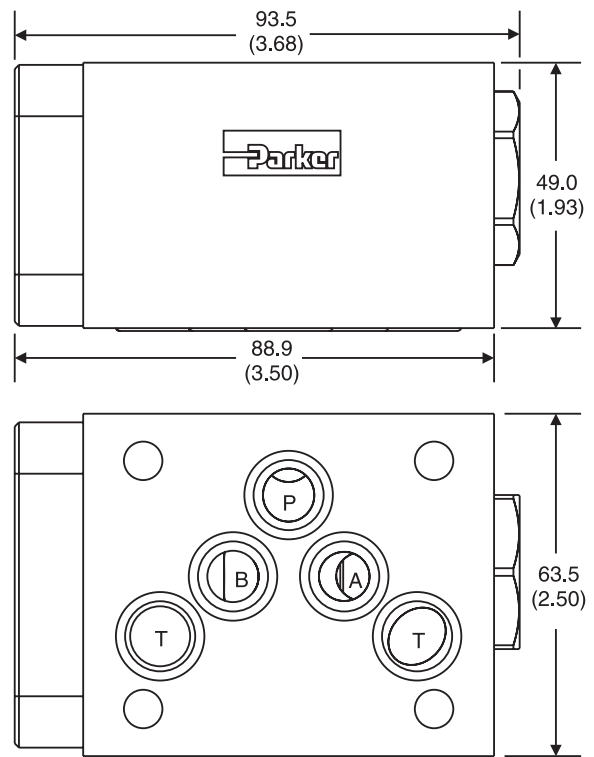
**CP05AA**

Inch equivalents for millimeter dimensions are shown in (\*\*)

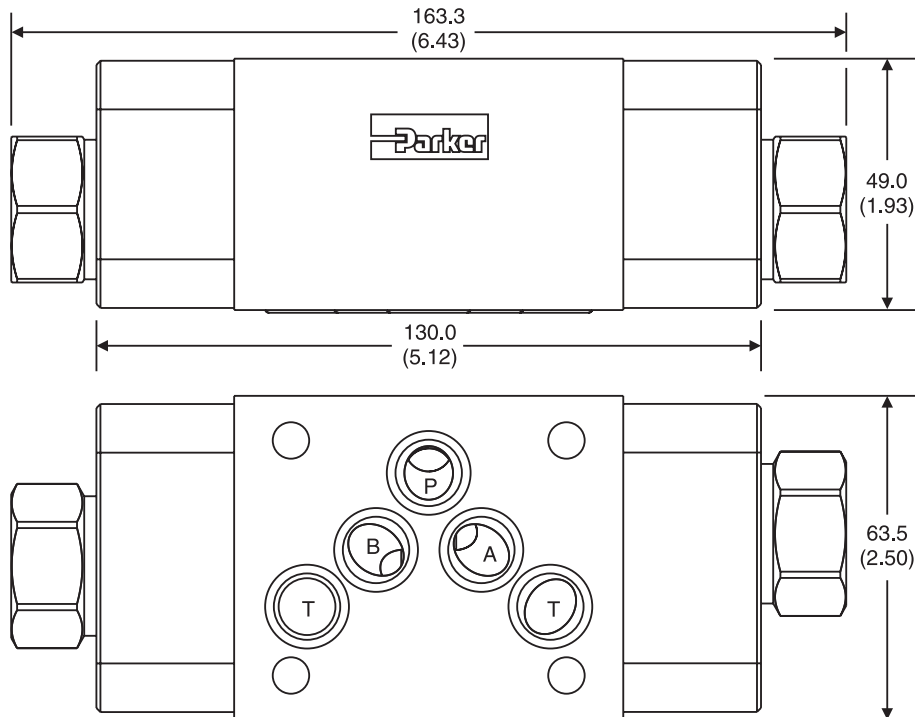


**CP05BB**

Inch equivalents for millimeter dimensions are shown in (\*\*)



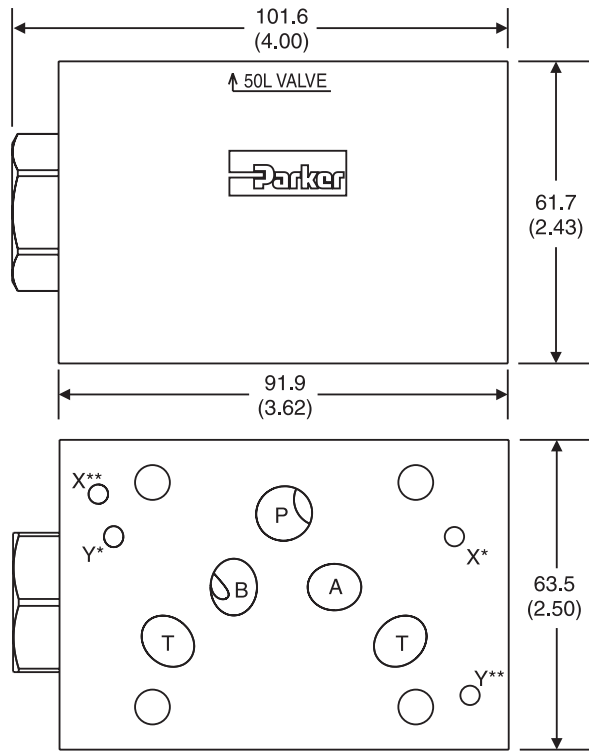
**CP05DD** – Inch equivalents for millimeter dimensions are shown in (\*\*)



**Dimensions**

**CP5HAA**

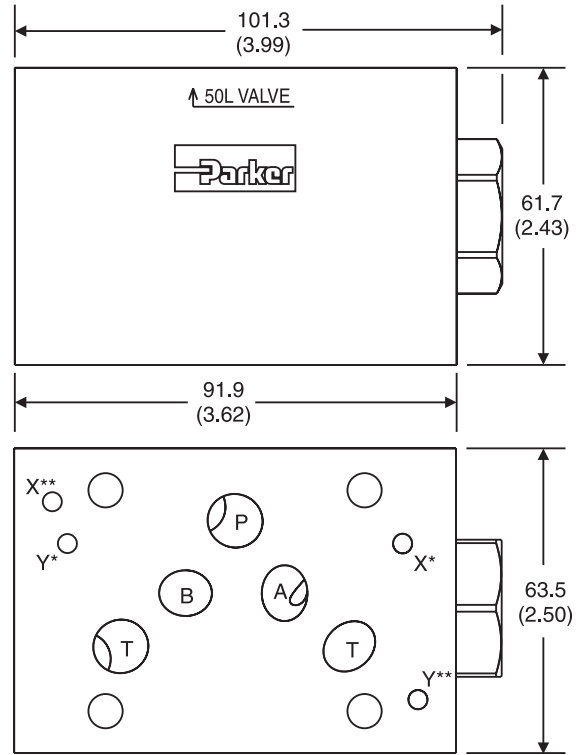
Inch equivalents for millimeter dimensions are shown in (\*\*)



\* D05HE (Standard)  
\*\* D05H

**CP5HBB**

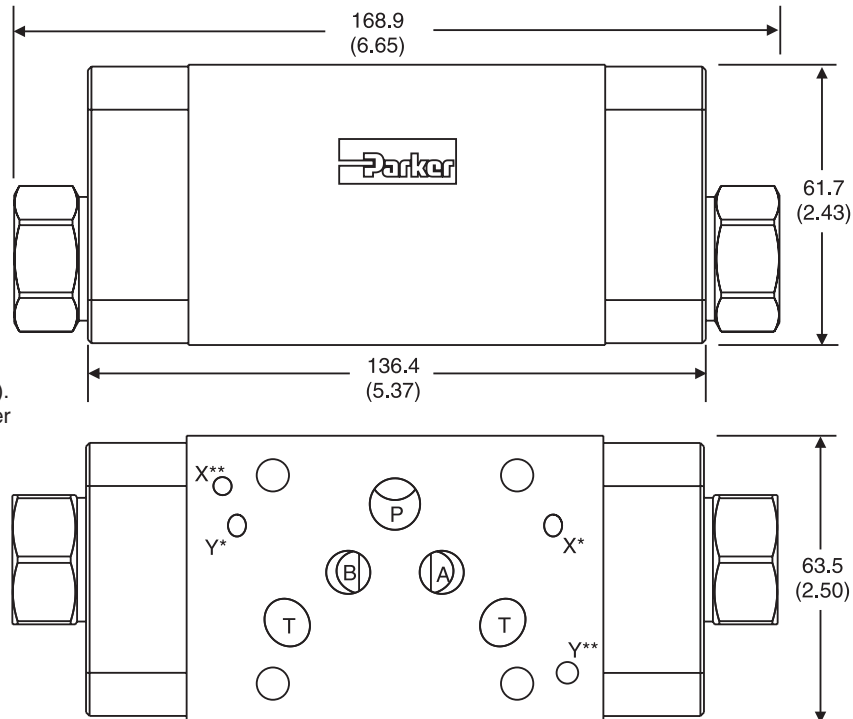
Inch equivalents for millimeter dimensions are shown in (\*\*)



\* D05HE (Standard)  
\*\* D05H

Valve comes with D05HE (ISO) pattern seal plate (990-120-012). If D05H pattern is required, order seal plate kit 990-120-009.

**CP5HDD** – Inch equivalents for millimeter dimensions are shown in (\*\*)

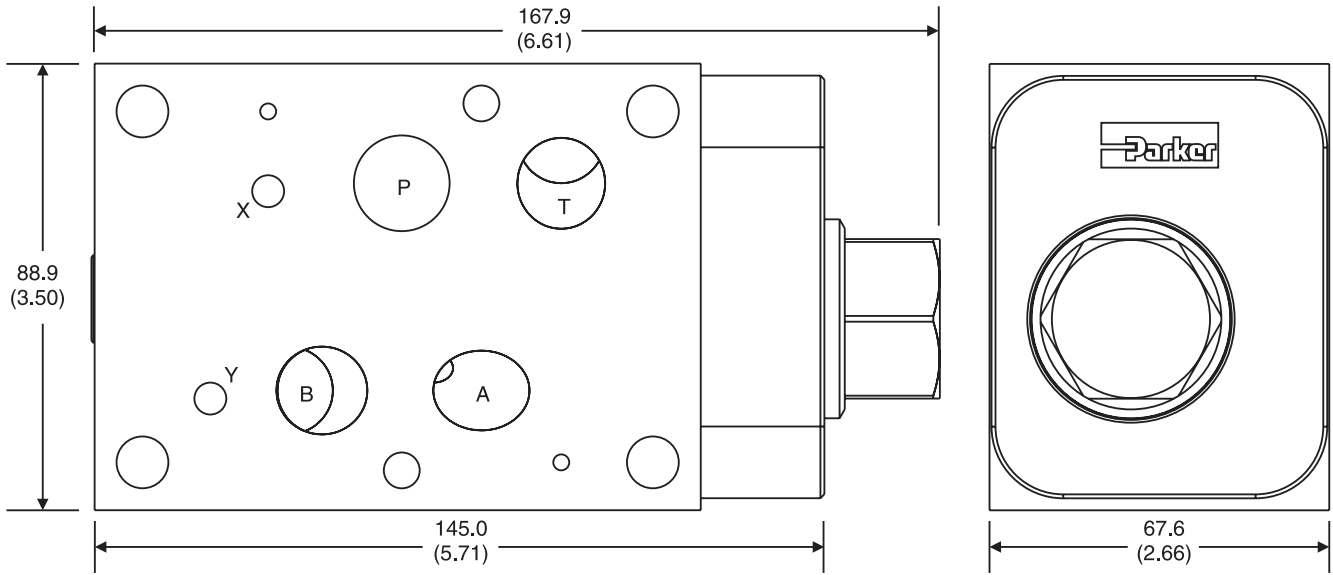


Valve comes with D05HE (ISO) pattern seal plate (990-120-012). If D05H pattern is required, order seal plate kit 990-120-009.

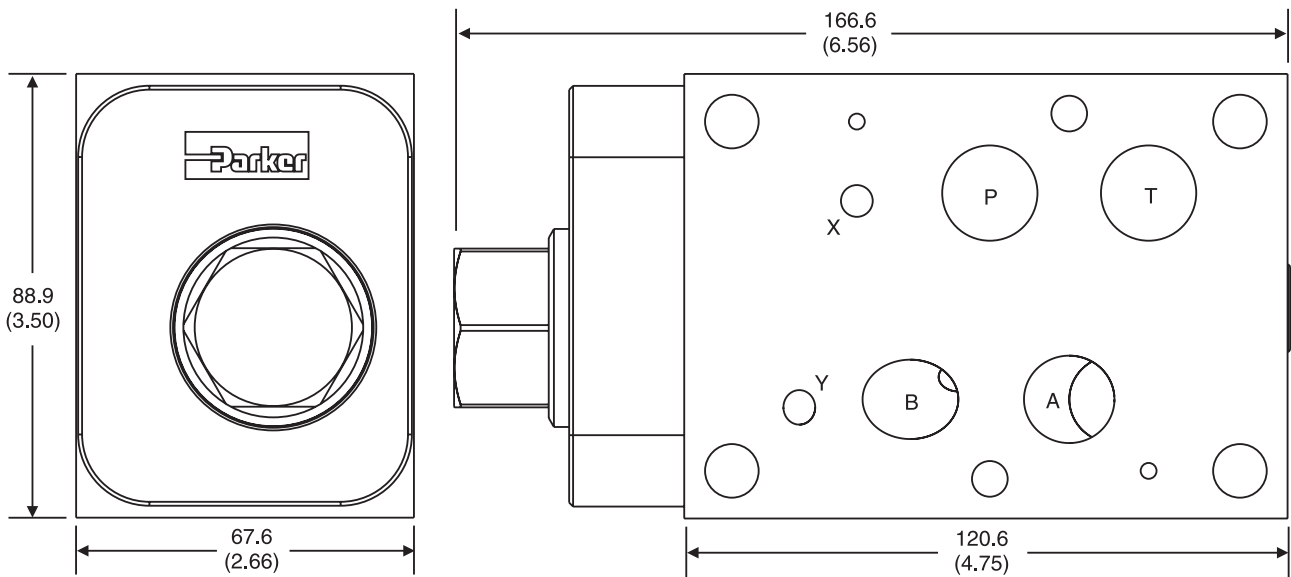
\* D05HE (Standard)  
\*\* D05H



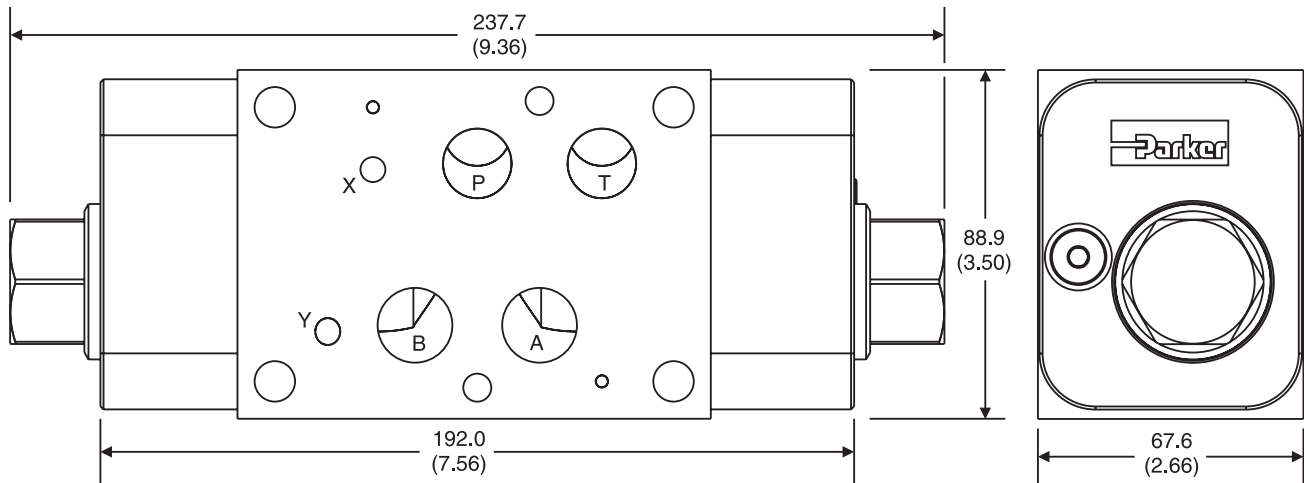
**CP07AA** – Inch equivalents for millimeter dimensions are shown in (\*\*)



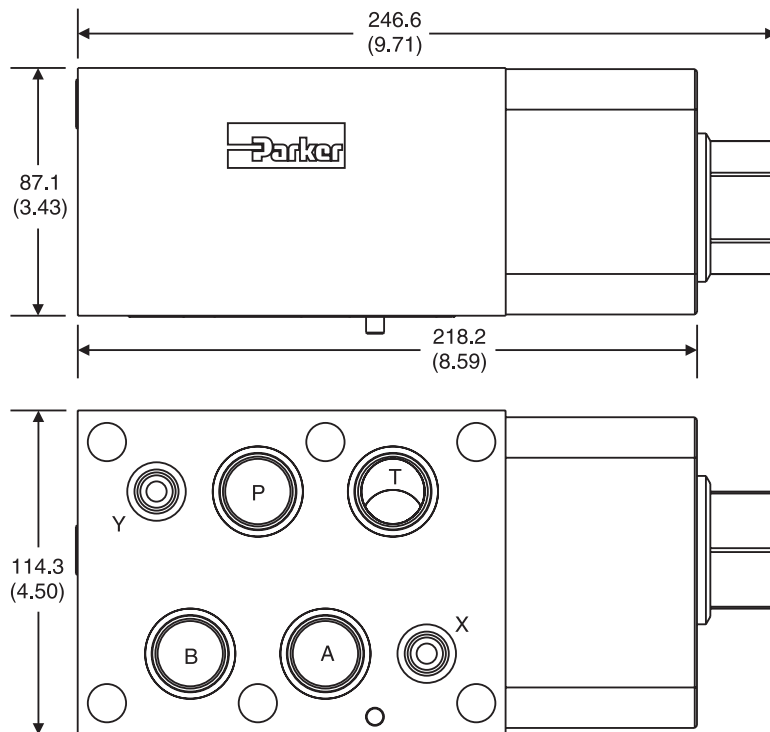
**CP07BB** – Inch equivalents for millimeter dimensions are shown in (\*\*)



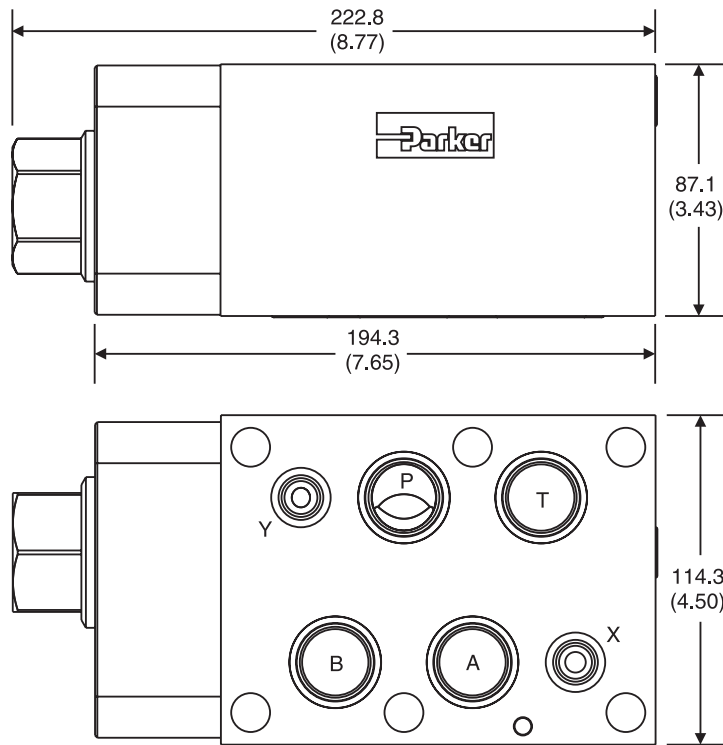
**CP07DD** – Inch equivalents for millimeter dimensions are shown in (\*\*)



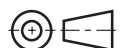
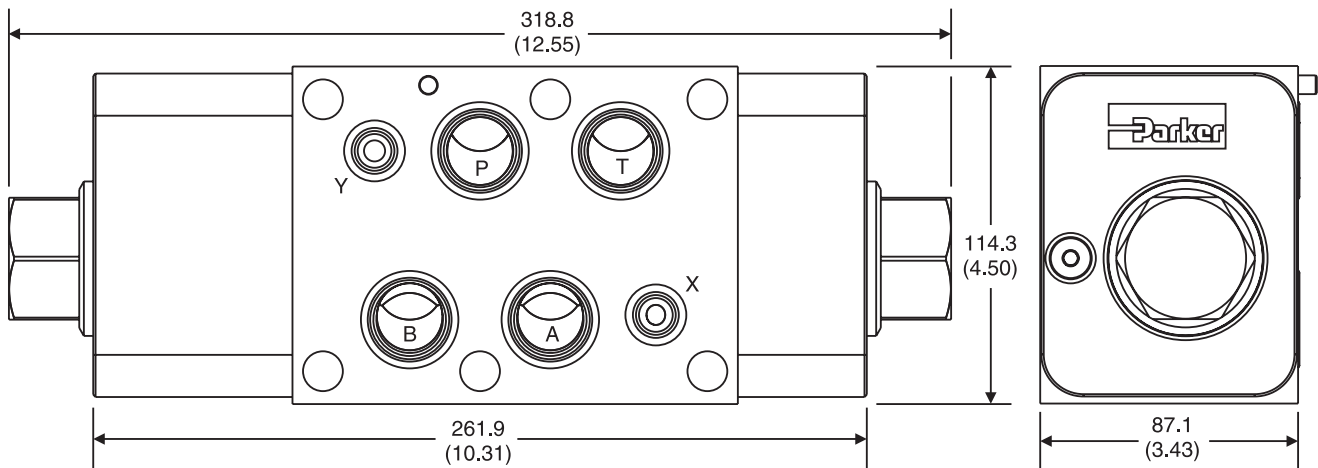
**CP08AA** – Inch equivalents for millimeter dimensions are shown in (\*\*)



**CP08BB** – Inch equivalents for millimeter dimensions are shown in (\*\*)



**CP08DD** – Inch equivalents for millimeter dimensions are shown in (\*\*)







### **WARNING – USER RESPONSIBILITY**

FAILURE OR IMPROPER SELECTION OR IMPROPER USE OF THE PRODUCTS DESCRIBED HEREIN OR RELATED ITEMS CAN CAUSE DEATH, PERSONAL INJURY AND PROPERTY DAMAGE.

- This document and other information from Parker-Hannifin Corporation, its subsidiaries and authorized distributors provide product or system options for further investigation by users having technical expertise.
- The user, through its own analysis and testing, is solely responsible for making the final selection of the system and components and assuring that all performance, endurance, maintenance, safety and warning requirements of the application are met. The user must analyze all aspects of the application, follow applicable industry standards, and follow the information concerning the product in the current product catalog and in any other materials provided from Parker or its subsidiaries or authorized distributors.
- To the extent that Parker or its subsidiaries or authorized distributors provide component or system options based upon data or specifications provided by the user, the user is responsible for determining that such data and specifications are suitable and sufficient for all applications and reasonably foreseeable uses of the components or systems.

### **OFFER OF SALE**

The items described in this document are hereby offered for sale by Parker-Hannifin Corporation, its subsidiaries or its authorized distributors. This offer and its acceptance are governed by the provisions stated in the detailed "Offer of Sale" elsewhere in this document or available at [www.parker.com/hydraulicvalve](http://www.parker.com/hydraulicvalve).

### **SAFETY GUIDE**

For safety information, see Safety Guide SG HY14-1000 at [www.parker.com/safety](http://www.parker.com/safety) or call 1-800-CParker.



Parker Hannifin Corporation  
**Hydraulic Valve Division**  
520 Ternes Avenue  
Elyria, Ohio 44035 USA  
Tel: 440 366 5100  
Fax: 440 366 5253  
[www.parker.com/hydraulicvalve](http://www.parker.com/hydraulicvalve)

