

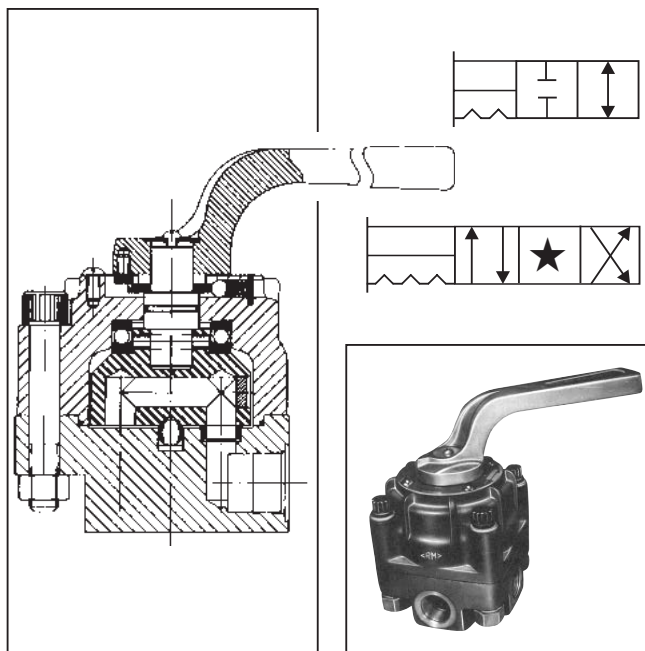
General Description

A

Series 8000C and 8100C valves are 2 and 4-way manual selector valves with near zero leakage characteristics. Series 8000C are rated to 207 Bar (3000 PSI) for liquids and 138 Bar (2000 PSI) for air. Series 8100C are rated to 414 Bar (6000 PSI) for liquids and 276 Bar (4000 PSI) for air. The valve design requires low actuation torque and can be used in applications where loads must be held for long periods and under difficult conditions.

Features

- Shear-type positive seal.
- Zero leakage (1 drop per min. per pressure port).
- High contamination tolerance.
- Standard valves are interflow.
- Long life due to wiping action of seals and disk.
- Low turning torque.
- Panel mounting is standard.



Specifications

Service Applications	Lubricated air, hydraulic oil, and water. For case pressure or exhaust port pressure applications above 17.3 Bar (250 PSI), consult factory.	Porting	Bottom or side NPT: Pipe threads, sizes 1 1/4" & 1-1/2" IST: Internal straight threads per AND10050, sizes 20 & 24 SAE: Straight threads, sizes #20 & #24
Maximum Operating Pressure	Working: 8000C Liquids - 207 Bar (3000 PSI) Air - 138 Bar (2000 PSI) 8100C Liquids - 414 Bar (6000 PSI) Air - 276 Bar (4000 PSI) Proof: 8000C Liquids - 621 Bar (4500 PSI) Air - 207 Bar (3000 PSI) 8100C Liquids - 621 Bar (9000 PSI) Air - 414 Bar (6000 PSI) Burst: 8000C Liquids - 1035 Bar (15,000 PSI) Air - 345 Bar (5000 PSI) 8100C Liquids - 1035 Bar (15,000 PSI) Air - 690 Bar (10,000 PSI)	Material	Body & Cap: Steel or ductile iron Disk: Stainless steel type 440 Shaft: Stainless steel type 303 Seals: Stainless steel type 440 Spring Seals: Stainless steel O-rings: Synthetic rubber compatible with media Back-up rings: PTFE Handle: Aluminum alloy Finish: Paint Note: Steel bodies and caps for water or air service are electroless nickel plated. Water service valves are equipped with grease fittings and require periodic lubrication with a waterproof grease.
Mounting	Subplate - Sizes 6, 10 & 16	Operating Temperature	-40°C to +121°C (-40°F to +250°F) Higher on special order

Valve Size				Weight Lbs.	CV Factor P. to A. or P. to B.		Flow Passage Diameter		Handle Pull-Lbs.			
Sub-Plate	SAE	Tube	Pipe		8000C	8100C	8000C	8100C	8000C		8100C	
				Steel					Air	Oil	Air	Oil
	# 20	20	1-1/4	75	24	13	1.250 In.	.875 In.	31	31	33	33
Size 24	# 24	24	1-1/2	75	24	13	1.250 In.	.875 In.	31	31	33	33

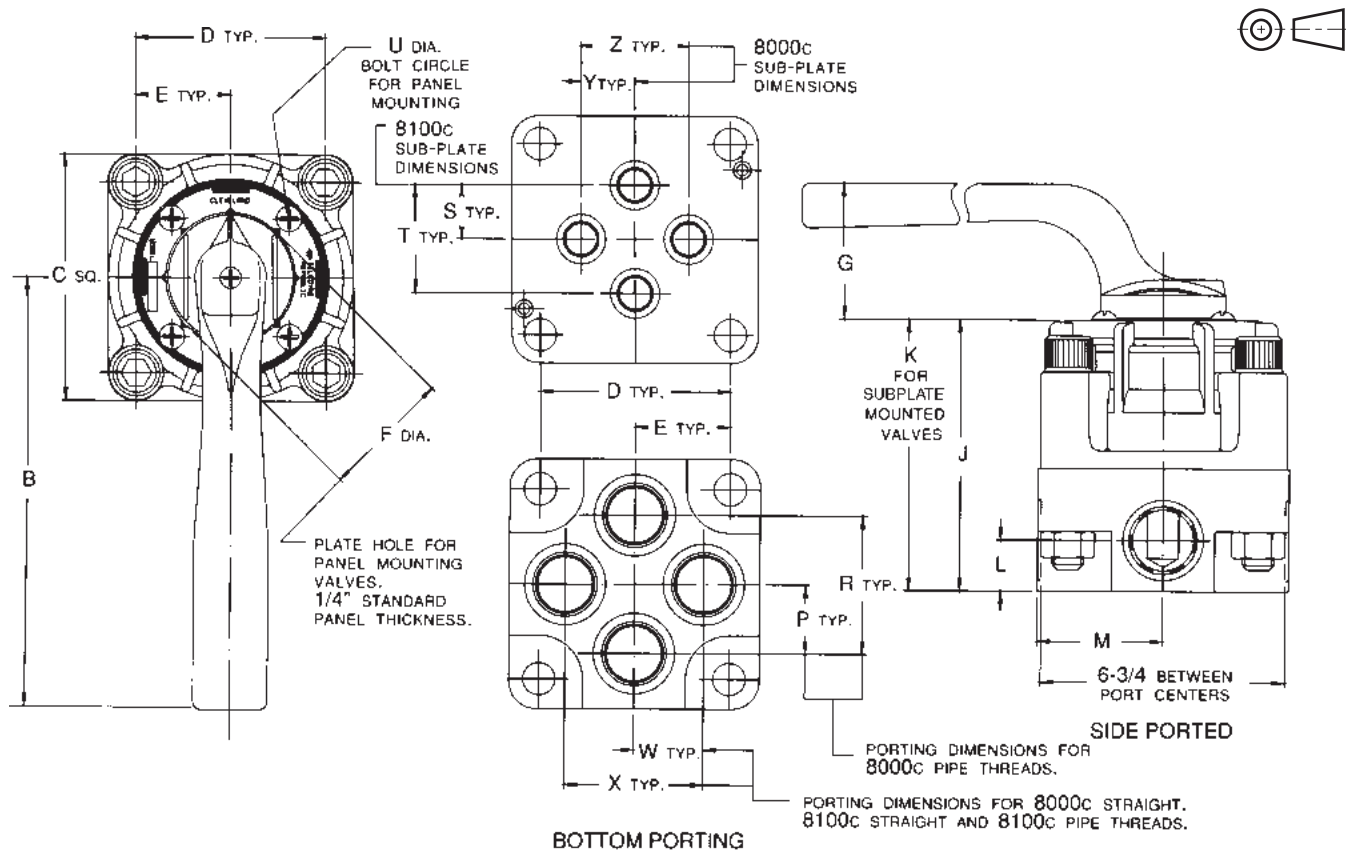
3000-A1.p65, dd



Ordering Information

81	1	1	C	- 1-1/4	H	S	2		
Prefix for Special Feature	80 3000 PSI Series	Flow Pattern	Type of Porting	Design Series	Size	Service Media	Materials	O-Ring Code	Suffix Options
See Option Page for Complete List	81 6000 PSI Series		1 Side Ported 2 Bottom Ported 3 Subplate Mounted		1-1/4 NPT 1-1/2 NPT 20 IST 24 IST 24 Subplate	A Lubricated Air H Hydraulic Oil W Water	S Steel	2 Nitrile 28 Fluorocarbon	See Option Page for Complete List
	1 2-Way Shut-off 4 4-Way Closed Center 5 4-Way Tandem Center								

Dimensions



Valve Size				All Dimensions are in Inches																	Subplate Mounted			
Sub-Plate	SAE	Tube	Pipe	B	C	D	E	F	G	J	K	L	M	P	R	S	T	U	W	X	Y	Z	M'tg. Bolt	Torq.
Size 24	# 20	20	1-1/4	12	7	5 5/16	2 21/32	3 5/8	3 1/4	7 5/8	5 5/8	1 7/16	3 1/2	1 15/16	3 7/8	1 1/2	3	4 5/8	2 1/8	4 1/4	1 15/16	3 7/8	7/8 - 9CN2 x 5 1/2 Lg.	5400 In. - Lbs.
	# 24	24	1-1/2																					