

★ *Snap-Tite*

High
Pressure
Couplings

77
SERIES



Snap-tite 77 Series — High Pressure Couplings

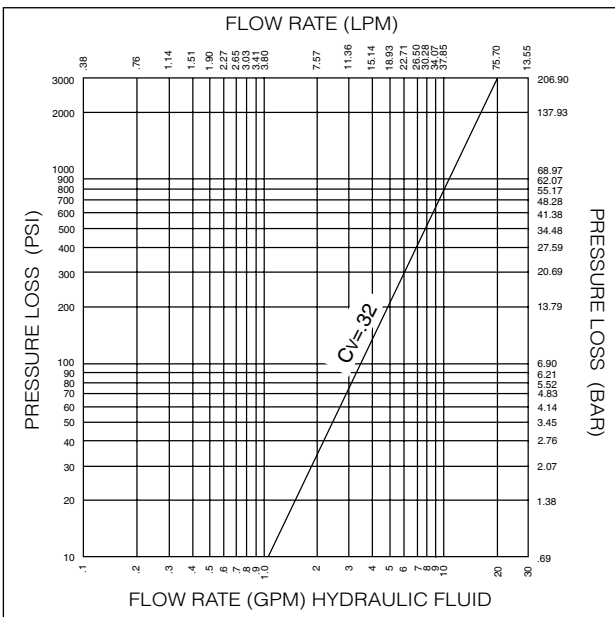
Featuring...Snap-tite quality with superior pressure and flow characteristics over the competition.



- Dry break flush valve minimizes fluid loss and air inclusion
- Rugged heavy duty construction with superior flow characteristics
- Designed for operating pressures up to 36,000 psi (2482 bar)
- Materials – high strength steel with Zinc Trivalent Chromate plating[†] or electroless nickel plating as well as 316 stainless steel
- Proven dog-lock mechanism provides safe, positive connection and eliminates ball brinelling
- Internal sleeve lock standard as safety feature
- Available in 1/4" size
- End fitting versatility due to two piece body construction

PRESSURE DROP*

*Test units equipped with female NPTF end fittings



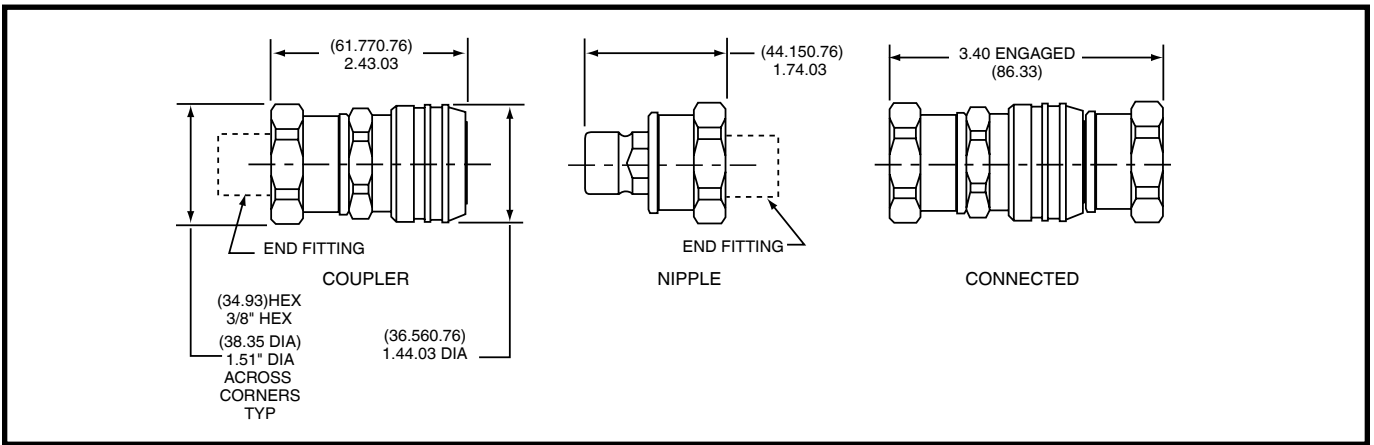
[†]Conforms with ROHS and WEEE European Union Directives

The 77 Series is designed for applications such as hydraulic test stands, hydrotesting and offshore drilling and production platforms where high pressure fluids and cleanliness is mandatory.

PRESSURE RATINGS

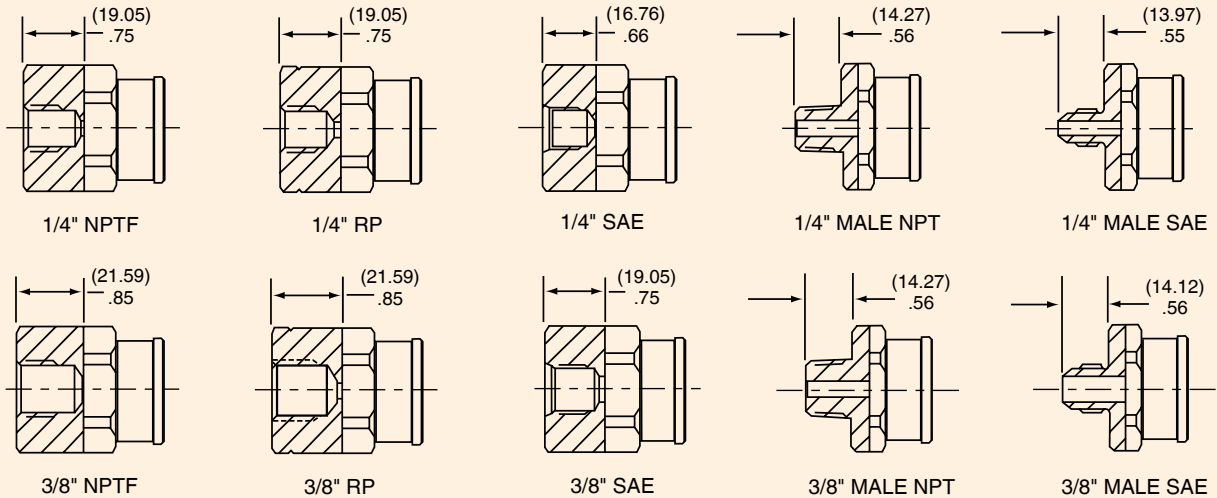
SIZE (inches)	SPILLAGE (cc)	AIR INCLUSION (cc)	STEEL				316 STAINLESS STEEL			
			MAX. WORKING		MIN. BURST		MAX. WORKING		MIN. BURST	
			PSI	BAR	PSI	BAR	PSI	BAR	PSI	BAR
1/4"	.04	.04	36,000	2482	72,000	4965	20,000	1379	40,000	2759

TECHNICAL AND DIMENSIONAL INFORMATION

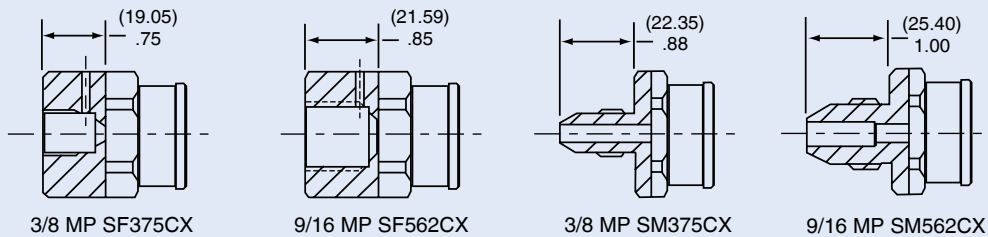


AVAILABLE END FITTINGS

Pressures to 10,000 psi (689 bar)

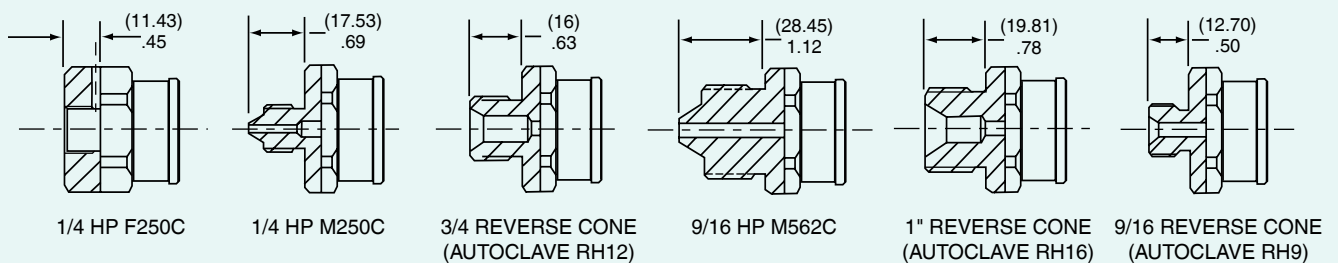


Pressures to 20,000 psi (1379 bar)



Pressures to 36,000 psi (2482 bar)*

*SST to 20,000 psi (1379 bar)



HOW TO ORDER

PART NO. S 77 C 4 SF562CX

Material	Body Type	Series	Coupling Half	Coupling Size	Seal Material	Special Options
No letter Plated Steel S 316 Stainless Steel	No letter Valved P Unvalved (nipple only)	77 Series	C Coupler N Nipple	4 = 1/4"	No letter Buna N V Viton	EN Electroless Nickel Plating

End Fitting Type*

Pressures to 10,000 psi (689 bar)	Pressures to 20,000 psi (1379 bar)	Pressures to 36,000 psi (2482 bar)* *SST to 20,000 psi (1379 bar)
-4F 1/4" Female NPTF -4EF 1/4" Female SAE -4RP 1/4" Female British Parallel BS2779 -4M 1/4" Male NPT -4EM 1/4" Male SAE -6F 3/8" Female NPTF -6EF 3/8" Female SAE -6RP 3/8" Female British Parallel BS2779 -6M 3/8" Male NPT -6EM 3/8" Male SAE	SF562CX 9/16" Female Medium Pressure SF375CX 3/8" Female Medium Pressure SM562CX 9/16" Male Medium Pressure SM375CX 3/8" Male Medium Pressure	M562C 9/16" High Pressure Male RH9 9/16" Reverse Cone RH12 3/4" Reverse Cone RH16 1" Reverse Cone F250C 1/4" Female High Pressure M250C 1/4" Male High Pressure

*Other end fittings available upon request

! WARNING !

FAILURE OR IMPROPER SELECTION OR IMPROPER USE OF THE PRODUCTS AND/OR SYSTEMS DESCRIBED HEREIN OR RELATED ITEMS CAN CAUSE DEATH, PERSONAL INJURY AND/OR PROPERTY DAMAGE.

This document and other information from Snap-tite, Inc., its subsidiaries and authorized distributors, provides product and/or system options for further investigation by users having technical expertise. It is important that you analyze all aspects of your application and review the information concerning the product or system in the current product catalog. Due to the variety of operation conditions and applications for these products or systems, the user, through its own analysis and testing, is solely responsible for making the final selection of the products and systems and assuring that all performance, safety and warning requirements of the application are met.

The products described herein, including without limitation, product features, specifications, designs, availability and pricing, are subject to change by Snap-tite, Inc. and its subsidiaries at any time without notice.



Quick Disconnect & Valve Division
 201 Titusville Road
 Union City, Pennsylvania 16438-8699 USA
 PH: 814-438-3821 FAX: 814-438-3069
 e-mail: qd&v_sales@snap-tite.com
 www.snap-tite.com



Industrial Estate
 Whitemill - Wexford
 Republic of Ireland
 PH: 353 53 914 1566 FAX: 353 53 914 1582
 e-mail: ste_sales@snap-tite.com
 www.snap-tite.com

DISTRIBUTED BY:

ISO-9001 Certified