

★ *Snap-Tite*

Ultra  
— High  
Pressure  
Couplings

**73**  
SERIES



# ★ Snap-tite 73 Series — Ultra High Pressure Couplings

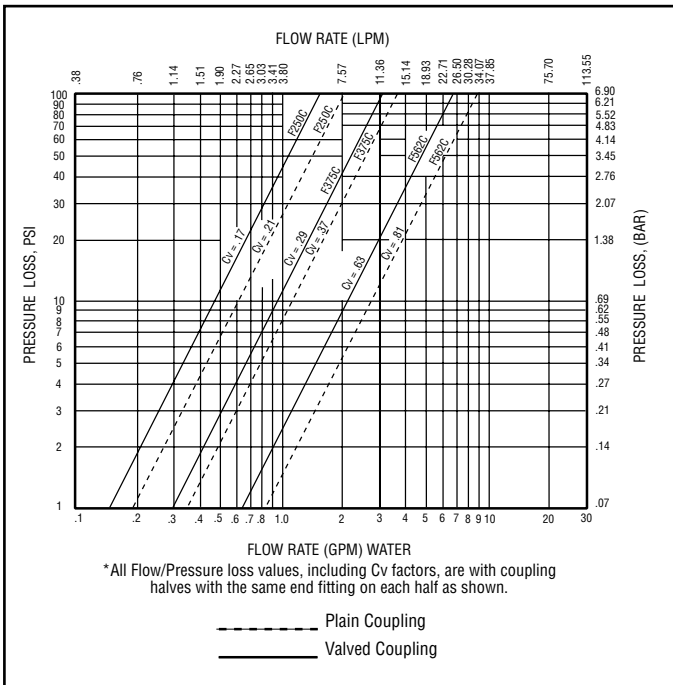
*Featuring...Snap-tite quality with superior pressure and flow characteristics over the competition.*



- Rugged heavy duty construction with superior flow characteristics.
- Designed for operating pressures to 43,500 psi (3000 bar).
- Stainless steel construction.
- Positive locking collar prevents accidental disconnection.
- Available in 1/4" size.

*The 73 Series is designed specifically for waterjet, waterblast, oilfield injection and test systems where ultra-high pressures are common place.*

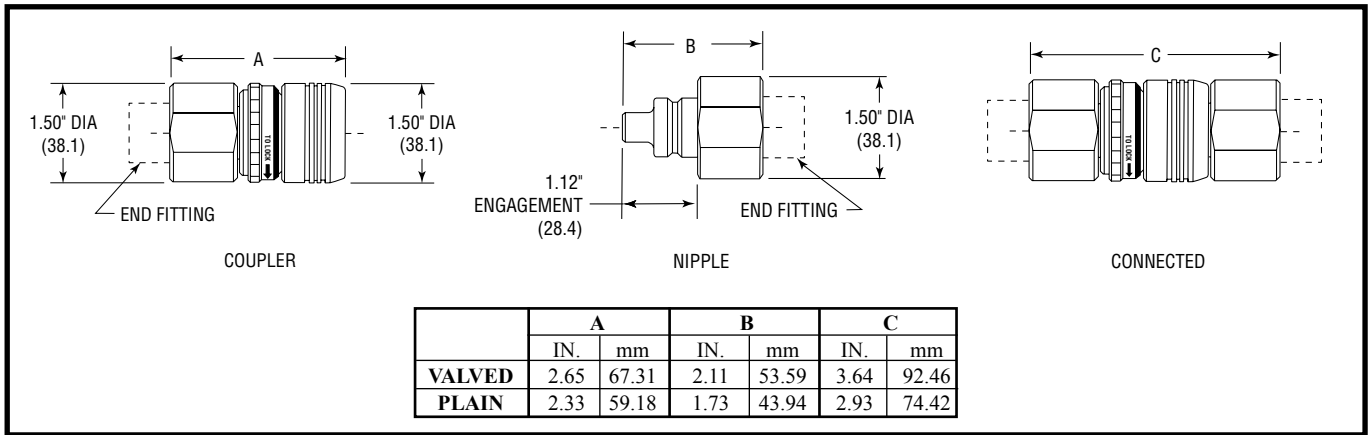
## PRESSURE DROP\*



## PRESSURE RATINGS

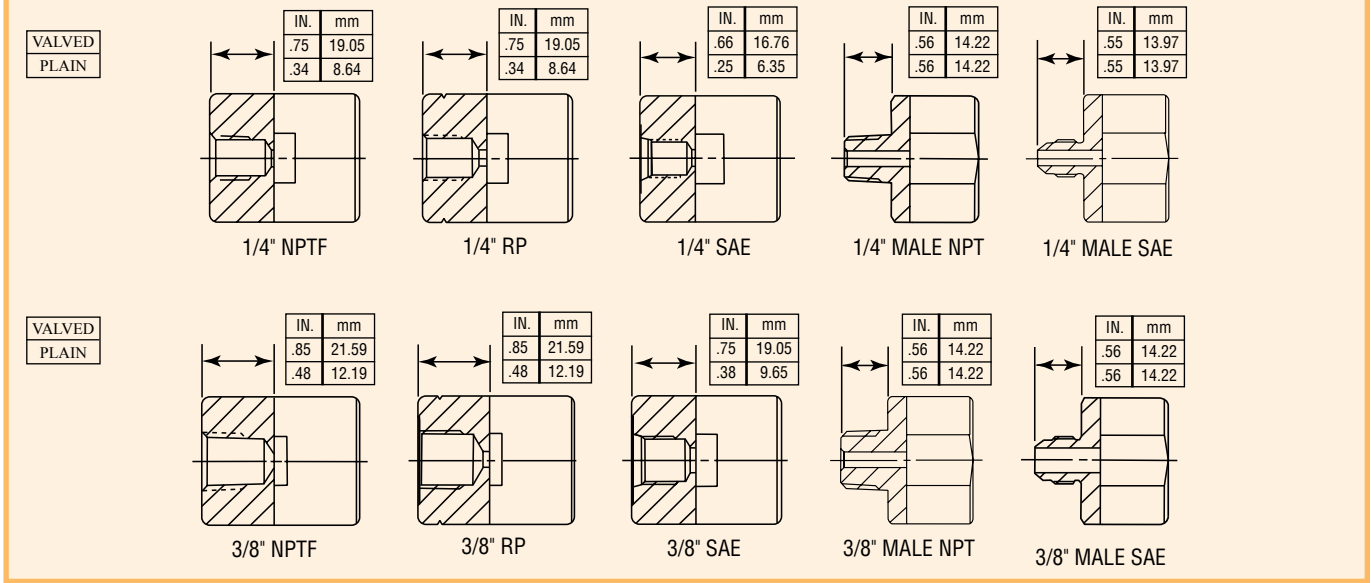
SIZE (inches)	STAINLESS STEEL			
	MAX. WORKING		MIN. BURST	
	PSI	BAR	PSI	BAR
1/4"	43,500	3000	87,000	6000

## TECHNICAL AND DIMENSIONAL INFORMATION

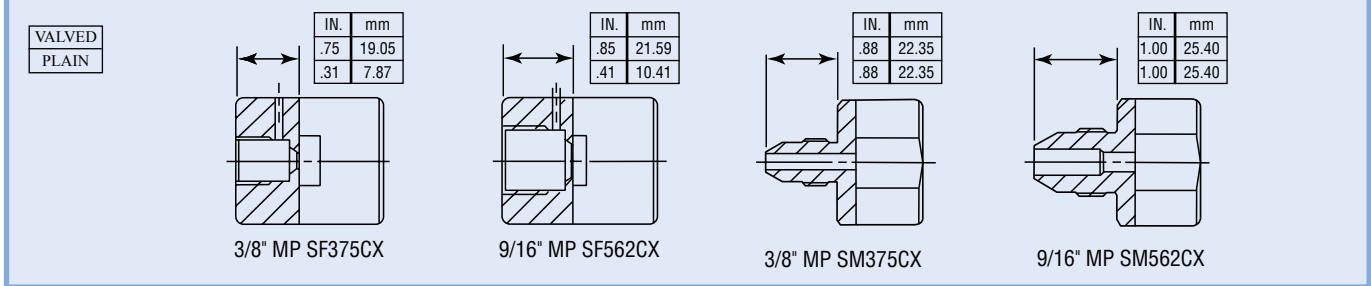


## AVAILABLE END FITTINGS

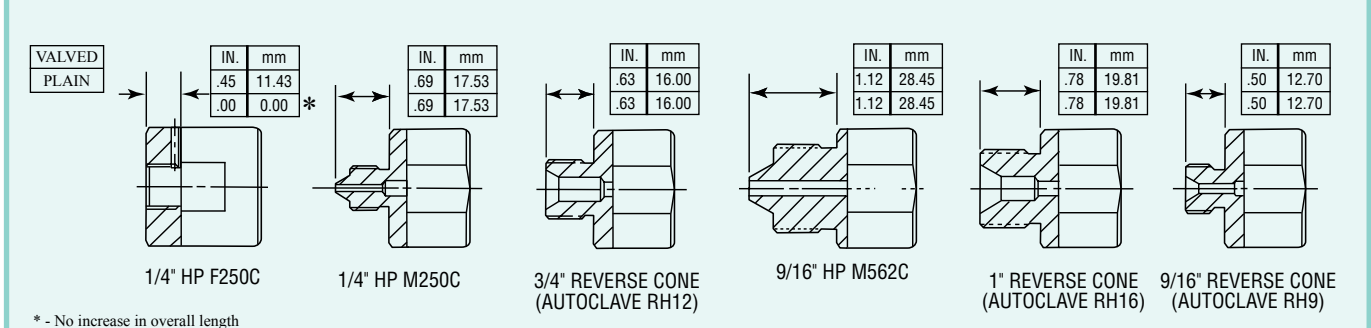
Pressures to 10,000 psi (689 bar)



Pressures to 20,000 psi (1379 bar)



Pressures to 43,500 psi (3000 bar)



\* - No increase in overall length

## HOW TO ORDER

**PART NO. S V 73 C 4 - SF562CX**

<b>Material</b>	<b>Body Type</b>	<b>Series</b>	<b>Coupling Half</b>	<b>Coupling Size</b>	<b>Seal Material</b>
S Stainless Steel	V Valved P Plain	73 Series	C Coupler N Nipple	4 = 1/4"	No letter Buna N E Ethylene Propylene

**End Fitting Type\***

Pressures to 10,000 psi (689 bar)	Pressures to 20,000 psi (1379 bar)	Pressures to 43,500 psi (3000 bar)
<b>-4F</b> 1/4" Female NPTF <b>-4EF</b> 1/4" Female SAE <b>-4RP</b> 1/4" Female British Parallel BS2779 <b>-4M</b> 1/4" Male NPT <b>-4EM</b> 1/4" Male SAE <b>-6F</b> 3/8" Female NPTF <b>-6EF</b> 3/8" Female SAE <b>-6RP</b> 3/8" Female British Parallel BS2779 <b>-6M</b> 3/8" Male NPT <b>-6EM</b> 3/8" Male SAE	<b>SF562CX</b> 9/16" Female Medium Pressure <b>SF375CX</b> 3/8" Female Medium Pressure <b>SM562CX</b> 9/16" Male Medium Pressure <b>SM375CX</b> 3/8" Male Medium Pressure	<b>M562C</b> 9/16" High Pressure Male <b>RH9</b> 9/16" Reverse Cone <b>RH12</b> 3/4" Reverse Cone <b>RH16</b> 1" Reverse Cone <b>F250C</b> 1/4" Female High Pressure <b>M250C</b> 1/4" Male High Pressure

\*Other end fittings available upon request

**! WARNING !**

FAILURE OR IMPROPER SELECTION OR IMPROPER USE OF THE PRODUCTS AND/OR SYSTEMS DESCRIBED HEREIN OR RELATED ITEMS CAN CAUSE DEATH, PERSONAL INJURY AND/OR PROPERTY DAMAGE.

*This document and other information from Snap-tite, Inc., its subsidiaries and authorized distributors provides product and/or system options for further investigation by users having technical expertise. It is important that you analyze all aspects of your application and review the information concerning the product or system in the current product catalog. Due to the variety of operation conditions and applications for these products or systems, the user, through its own analysis and testing, is solely responsible for making the final selection of the products and systems and assuring that all performance, safety and warning requirements of the application are met.*

*The products described herein, including without limitation, product features, specifications, designs, availability and pricing, are subject to change by Snap-tite, Inc. and its subsidiaries at any time without notice.*



**Quick Disconnect & Valve Division**  
 201 Titusville Road  
 Union City, Pennsylvania 16438-8699 USA  
 Ph: 814-438-3821 Fax: 814-438-3069  
 email: qd&v\_sales@snap-tite.com  
 www.snap-tite.com



**Industrial Estate**  
 Whitemill-Wexford  
 Republic of Ireland  
 Ph: 353 53 914 1566 Fax: 353 53 914 1582  
 email: ste\_sales@snap-tite.com  
 www.snap-tite.com

**DISTRIBUTED BY:**

**ISO-9001 Certified**