



# Stainless Steel Ball Valves Series 501SS

MATERIALS OF CONSTRUCTION	
VALVE BODY:	CF-8M STAINLESS STEEL
BALL:	STAINLESS STEEL
SEATS / SEALS:	PTFE
HANDLE:	STAINLESS STEEL

PRESSURE AND TEMPERATURE RANGE	
PRESSURE RANGE	2,000 PSI
TEMPERATURE RANGE	0° TO +400°F

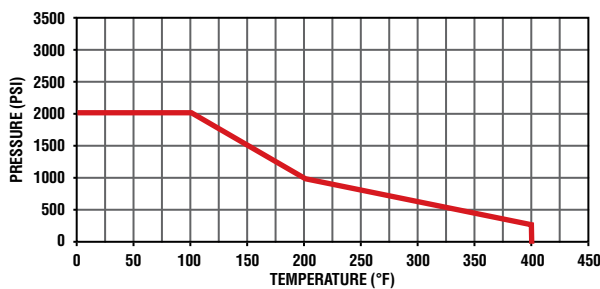
STYLE	TYPE	MATERIAL	SIZE	OPTIONS
V	501	SS	-4	-00
STYLE	V-VALVE			
TYPE	501-MALE/FEMALE NPT PORTS			
MATERIAL	SS-STAINLESS STEEL			
SIZE	4-1/4", 6-3/8", 8-1/2", 12-3/4", 16-1"			

APPROVALS
MEETS MATERIAL REQUIREMENTS OF NACE MR-01-75

Note: Periodically check the adjustable packing nut and tighten as required.

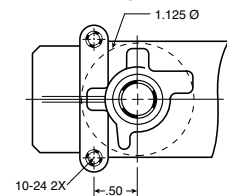


Parker's industrial ball valve product line is intended for general purpose use. Please be aware that ball valves are intended for use in the fully open or closed positions. Depending on application conditions, throttling of the valve may result in premature seal failure and/or inability to turn the valve handle.



Applications include chemical plants, refineries, steel mills, industrial fuel lines and agricultural equipment. Meets material requirements of NACE MR-01-75.

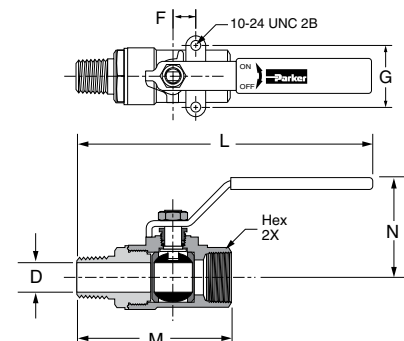
Mounting Detail



## Male-Female Pipe Ends XV501SS

PART NO.	PIPE THREAD (NPT)	HEX	F	G	L	M	N	D FLOW Ø
XV501SS-4	1/4	15/16	.50	1.12	5.60	2.65	1.97	.280
XV501SS-6	3/8	15/16	.50	1.12	5.60	2.65	1.97	.375
XV501SS-8	1/2	1-1/16	.50	1.12	5.85	3.05	2.00	.500
XV501SS-12	3/4	1-3/8	.88	1.37	7.27	3.85	2.55	.720
XV501SS-16	1	1-5/8	.88	1.37	7.48	4.25	2.68	.940

FLOW DATA	
VALVE SIZE	CV
1/4	4.0
3/8	6.0
1/2	14.0
3/4	35.0
1	54.0



Parker Hannifin Corporation  
Fluid System Connectors  
Otsego, Michigan