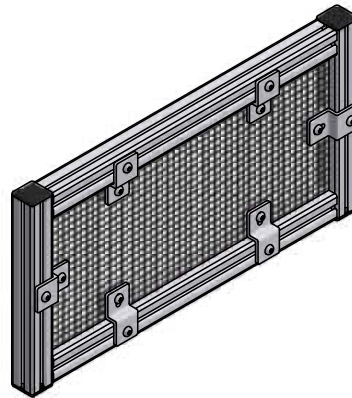
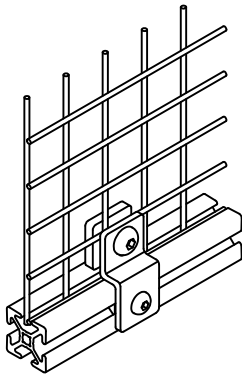


Deluxe

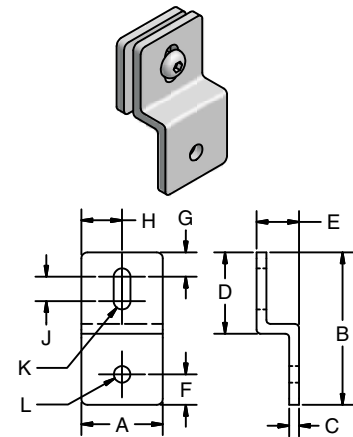


Application

Deluxe retainers are used to securely fasten wire mesh within the T-slot of profiles. This accessory requires screws and T-nuts to mount to profile; order these items separately.

Technical Data

Aluminum
 5/16-18 BHCS included to secure back plate to retainer.

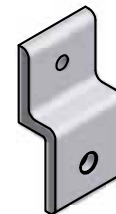


Back Plate included but not shown on dimension drawings.

**20-200
 20-202**

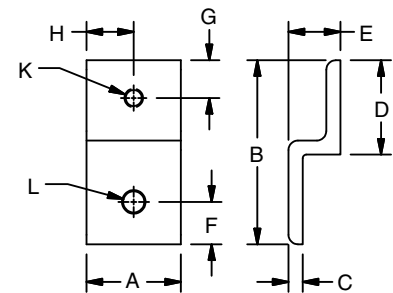
Recommended Fastening Hardware (Order Separately)

Series	Screws	T-Nuts
40	24-116-8	20-058
20	24-108-5	20-045
1.5"	25-110-5	25-002, 20-082 or 20-182



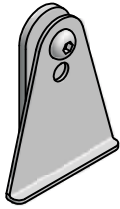
Ordering Information

Style	A	B	C	D	E	F	G	H	J	K	L	Wt.	Part #
Mesh	40	75	4.8	39	20.8	15	12	20	12	8.1	9	80 g	20-202
	20	39	2	20	9	9	4	10	6	5.5	5.5	14 g	20-200
Panel	40	75	4.8	39	20.8	15	15	20	—	M8	9	60 g	20-202P
	20	39	2	20	9	9	7	10	—	M6	5.5	10 g	20-200P

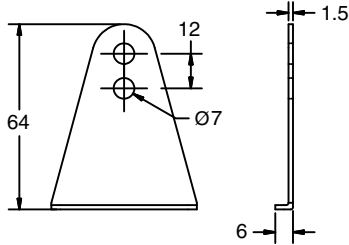


**20-200P
 20-202P**

Economy



Back Plate included but not shown on dimension drawings.



22-110
22-111

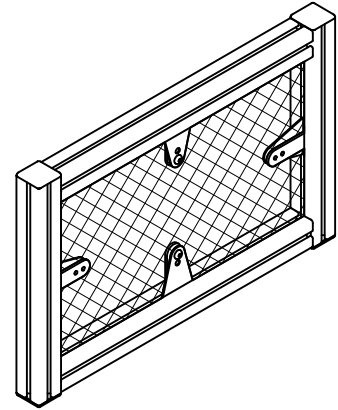
Application

Economical solution for securely fastening wire mesh to 40 and 1.5" Series profiles.

Technical Data

Steel, Zinc Plated

BHCS included to secure back plate to retainer.



Ordering Information

Unit

Economy Wire Mesh Retainer – M6
 Economy Wire Mesh Retainer – 1/4-20

Weight

Each
 Each

Part

59 g 22-110
 59 g 22-111