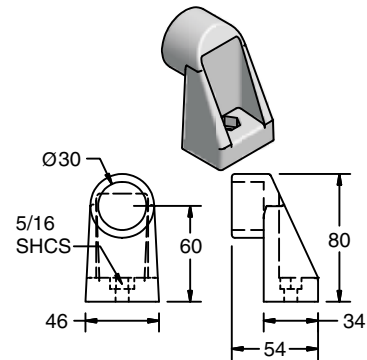
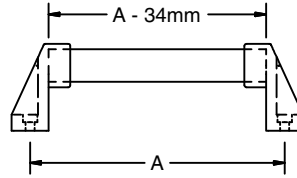
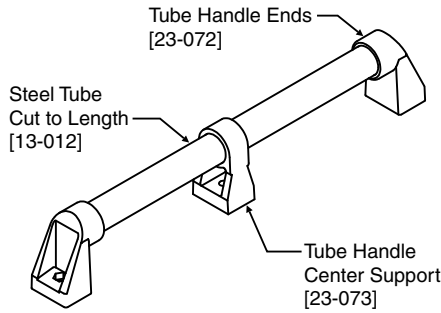


## Tube Handles



### Application

Handle allows variable lengths. Order tube cut to length for a custom fit solution.

### Technical Data

Polyamide, Black  
 Tube: Coated Steel  
 Order Hardware Separately

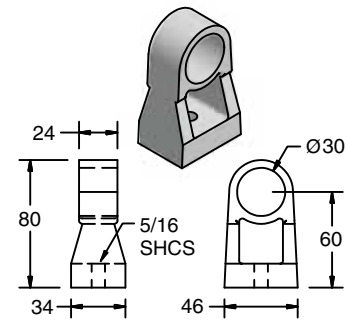
**23-072**

### Recommended Fastening Hardware (Order Separately)

Part #	Screws	T-Nuts
23-072	25-312-5	20-082
23-073	25-316-5	20-082

### Ordering Information

Description	Unit	Weight	Part #
Tube Handle Ends	Each	12.7 g	23-072
Center Support for handles over 36"	Each	7.6 g	23-073
Coated Steel Tube	Cut off max. 2m	1.52 kg/m	13-012
* Saw cut needed for Cut to Length			19-007



**23-073**