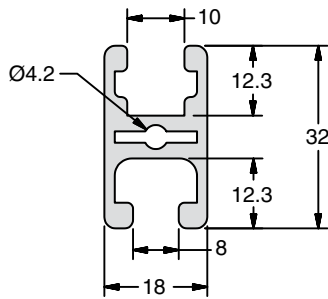


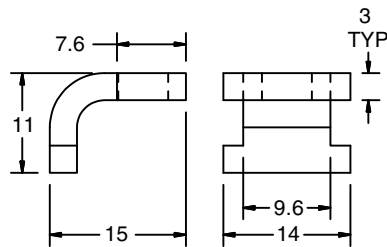
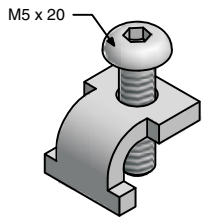
## Specialty Profiles

Profile Type	Compatibility				Part #	Description	Page
Bi-Slot					12-032	Profile 18x32 Bi-Slot	54
Rolling Door Guides					12-022	Profile Rolling Door Guide	55
					12-421	Guide Profile UHMW	55
Sliding Door Guides			40	1.5"	12-012	Profile Sliding Door Guide 40 Upper	56
			40	1.5"	12-013	Profile Sliding Door Guide 40 Lower	56
	28	30			12-014	Profile Sliding Door Guide 30/28 Upper	56
	28	30			12-015	Profile Sliding Door Guide 30/28 Lower	56
Stiffener/Handle Profile					12-011	Profile Stiffener / Handle	57
Mesh Clamp	28	30	40	1.5"	12-010	Profile Mesh Clamp	58
Panel Holder	28	30	40	1.5"	12-016 B	Profile Panel Holder - Black	57
Clamp Bar			40	1.5"	12-105	Profile Clamp	58
Rack Angle	28	30	40	1.5"	12-109	Profile Rack Angle with Holes	59
	28	30	40	1.5"	12-110	Profile Rack Angle no Holes	59
				1.5"	20-075	Rack Angle Clip Nut M5	59
				1.5"	20-076	Rack Angle Clip Nut M6	59
				1.5"	25-075	Rack Angle Clip Nut #10-32	59
				1.5"	25-076	Rack Angle Clip Nut 1/4-20	59
UHMW Slide Bar			40	1.5"	12-400	Slide Bar UHMW	60
			40	1.5"	12-420	Slide Bar UHMW 40x10	60
	28	30			12-430	Slide Bar UHMW 28/30x8	60
	28	30	40	1.5"	12-410	Slide Strip UHMW	60
Panel Gasket					12-106	Panel Gasket 8	61
					12-108	Panel Gasket 10	61
Mesh Gasket					12-107	Mesh Gasket 8	61
Cover/Gasket Strips			40	1.5"	12-101	Cover/Gasket Strip 40	62
	28				12-103B	Cover/Gasket Strip 28	62
					12-115	Cover/Gasket Strip 20	62
			40		12-117	Push-In Panel Seal	62
Cover Strips			40	1.5"	12-102	Aluminum Cover Strip	62
			40	1.5"	12-111	PVC Cover Strip	62
	28	30			12-116	PVC Cover Strip	62
Safety Cover			40	1.5"	12-113	Safety Cover	62

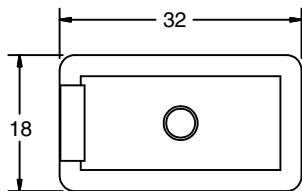
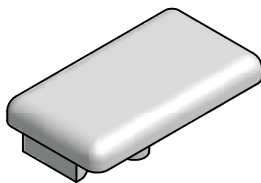
# 32x18 Bi-Slot Profile



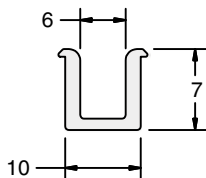
12-032



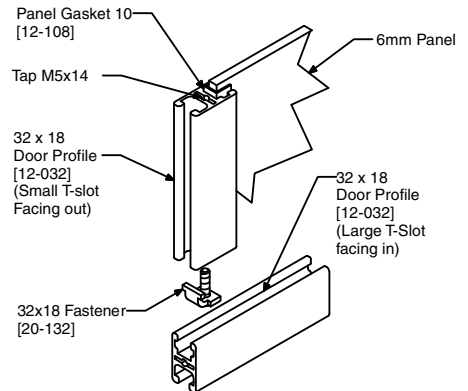
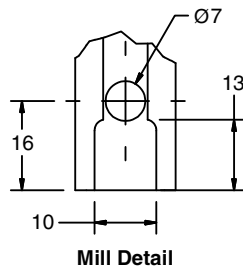
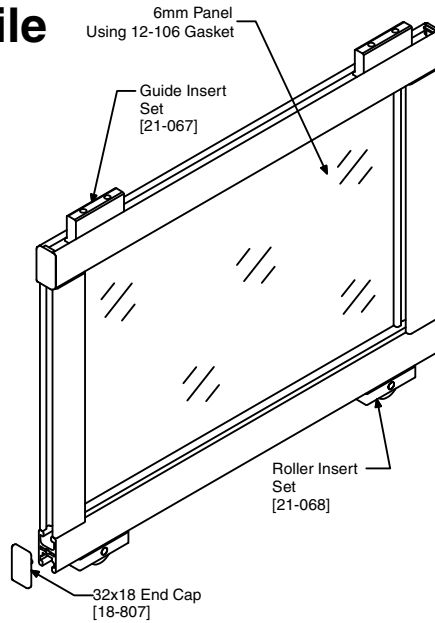
20-132



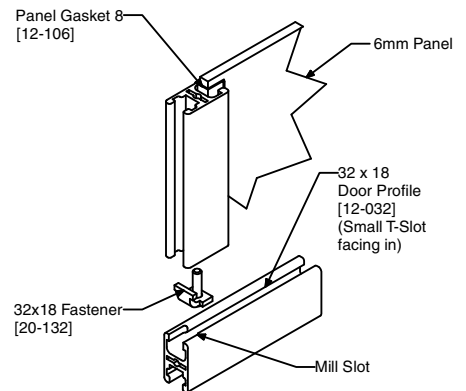
18-807



12-108



Frame for holding panels with small T-slot facing out. (No milling required)



Frame for holding panels with large T-slot facing out. (You must mill slot for fastener)

## Application

Suitable for guarding, sliding doors, and enclosures. Panels up to 9mm thick may be clamped using spring clamp (22-032).

T-Slots will accept 6mm panels with Panel Gasket 8 or 10 (12-106 and 12-108).

## Ordering Information

Description	Unit	Part #
Profile 18x32 Bi-Slot	Cut off max. 6m	12-032

\*Saw Cut Needed for Cut to Length

19-001

## Technical Data

Aluminum, Clear Anodized  
Weight 0.67 kg/m

Fastening Set: Steel, galvanized  
Weight: 9.0 g

Clamp Spring: Steel  
Weight: 4g

## Quick Reference for Mating Components

### Fasteners

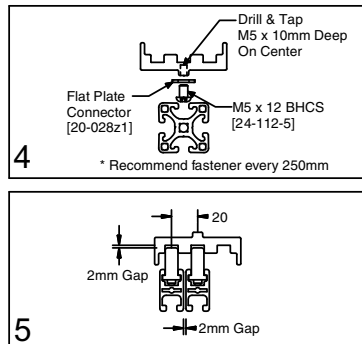
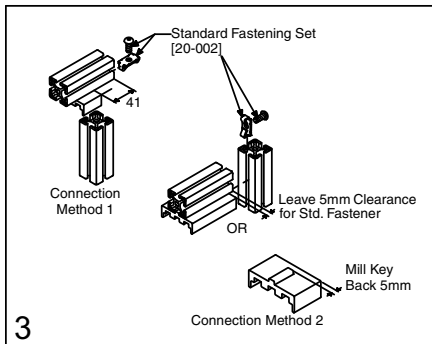
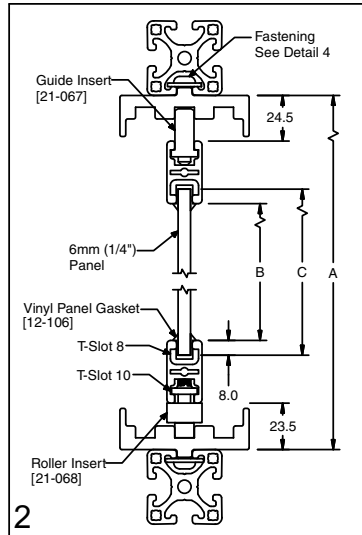
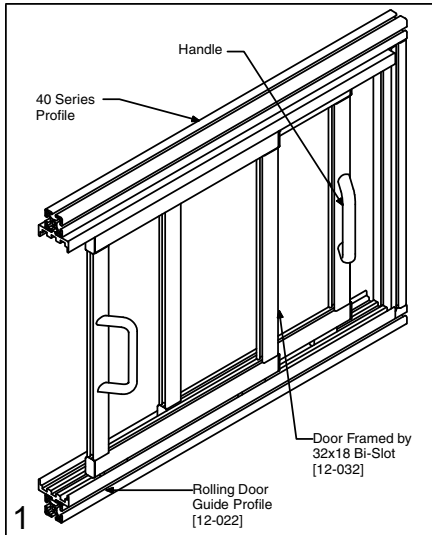
32x18 Bi-Slot Fastener	20-132
Clamp Spring	22-032

### End Caps

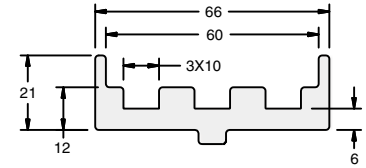
32x18	18-807
-------	--------

### Structural Accessories

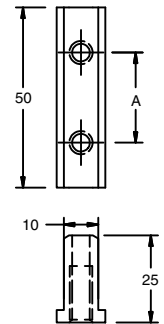
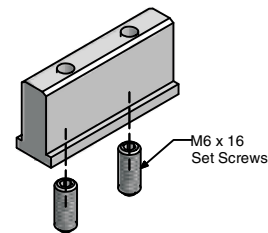
Panel Gasket 8	12-106
Panel Gasket 10	12-108
Roller Insert Set	21-068
Guide Insert Set	21-067



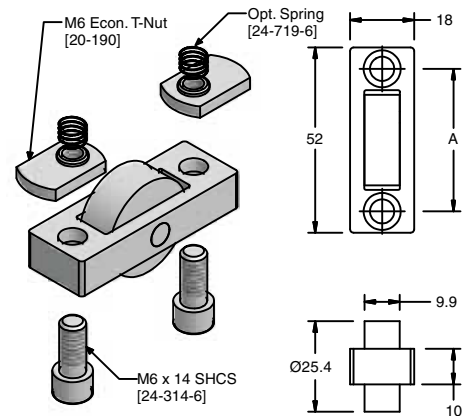
# Rolling Door Guide Profile



12-022



21-067  
21-073



21-068  
21-075

## Application

Designed for large doors with removable door panels for maintenance. Applications include case packers, material handling equipment, packaging installations and access panels for large machine enclosures.

## Ordering Information

### Description

Profile Rolling Door Guide  
Guide Profile UHMW

\*Saw Cut Needed for Cut to Length

## Technical Data

### Profile

Aluminum, Clear Anodized  
Weight: 1.78 kg/m

### Guide Insert

UHMW (white)

### Roller Insert

Roller: Delrin (black), Pin: Steel  
Housing: Aluminum, Clear Anodized

### Unit

3m each

Cut off max. 3.1m

### Part #

12-022

12-421

19-001

### Roller Insert Set

40 Series (A=40mm) **21-068**

1.5" Series (A=1.5") **21-075**

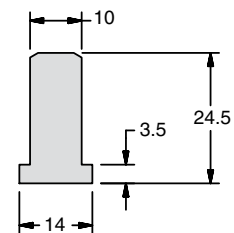
Roller Set includes  
(1) Housing, (1) roller,  
(2) SCHS screws  
and (2) Offset T-Slot nuts  
with compression spring

### Guide Insert Set

40 Series (A=25mm) **21-067**

1.5" Series (A=1") **21-073**

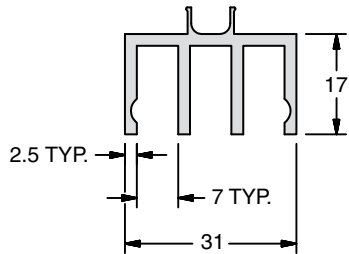
Guide Set including  
(1) 50mm guide insert,  
(2) setscrews



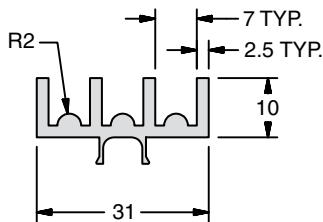
12-421



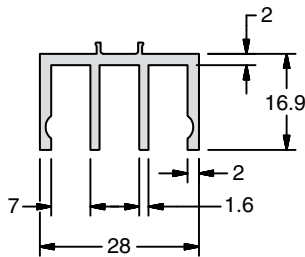
# Sliding Door Guide Profile



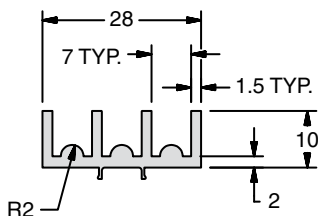
12-012



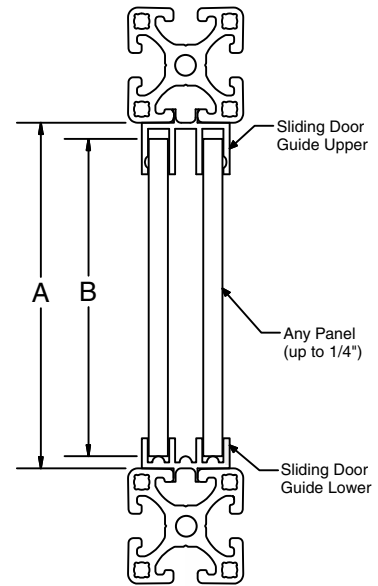
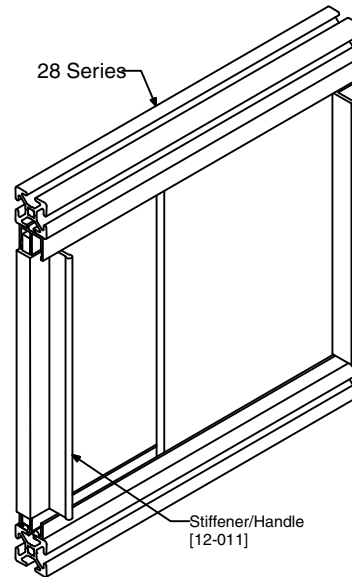
12-013



12-014



12-015



B = A - 15mm for removable doors  
B = A - 10mm for non-removable doors  
\*Designed for panels up to 1/4" (6.4mm)

## Application

These profiles create light duty sliding panels for windows and access ports for safety guards, enclosures or partitions. Installation onto 40, 30, 28 or 1.5" Series profiles do not require fasteners and will snap into the T-Slot. The lower guides are designed to reduce friction. The upper guides facilitate lift-out removal of the panel without disassembly. Tamper proof mounting may also be provided.

## Ordering Information

Description	Unit	Part #
<b>40/1.5" Series</b>		
Profile Sliding Door Guide 40/1.5" Upper	3m each	12-012
Profile Sliding Door Guide 40/1.5" Lower	3m each	12-013
<b>28/30 Series</b>		
Profile Sliding Door Guide 30/28 Upper	3m each	12-014
Profile Sliding Door Guide 30/28 Lower	3m each	12-015
*Saw Cut Needed for Cut to Length		19-001

## Technical Data

Aluminum, Clear Anodized  
Three panel tracks  
Panel width up to 6.4mm  
Weight: 12-012, 12-014 0.45kg/m  
12-013, 12-015 0.50kg/m

## Quick Reference for Mating Components

### Structural Accessories

Panels Page 112

**Application**

Designed as a combination handle and stiffener for sliding panel doors (1/4" thick material). Panels snap into the profile slot and may be secured by an adhesive or a fastener.

**Technical Data**

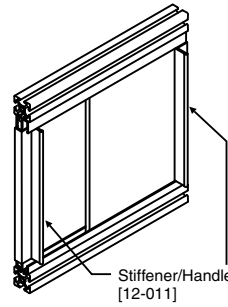
Aluminum, Clear Anodized  
 Weight: 0.93kg/m

**Ordering Information**

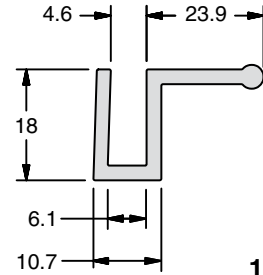
**Description**

Panel Handle Stiffener  
 \*Saw Cut Needed for Cut to Length

Unit	Part #
3m each	12-011
	19-001



**Stiffener/Handle  
 Profile**



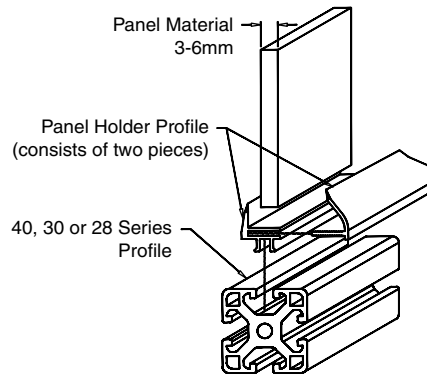
12-011

**Application**

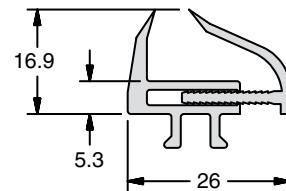
Profile designed for panels 3-6mm thick. Built-in seal for splash guard applications. Can be used for 40, 30, 28 and 1.5" Series profiles.

**Technical Data**

Base: Rigid PVC Lip  
 Seal: Vinyl  
 Weight: 0.16kg/m



**Panel Holder**



12-016

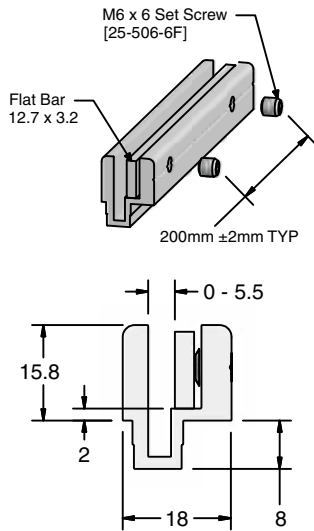
**Ordering Information**

**Description**

Panel Holder Profile  
 \*Saw Cut Needed for Cut to Length

Unit	Part # (Black)
Cut off max. 2m	12-016B
	19-001

## Mesh Clamp Profile



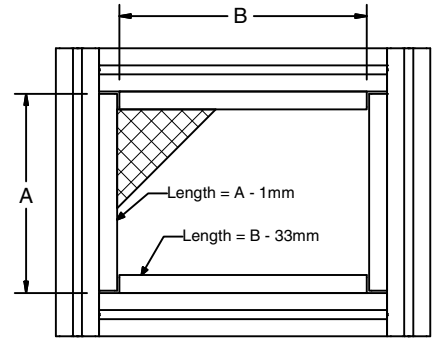
### Application

Captures wire mesh panels up to 5.5mm thick. Excellent for constructing safety guards. Installs onto 40, 30, 28 and 1.5" series profiles without additional fasteners.

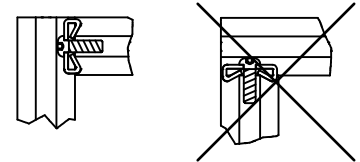
### Technical Data

Aluminum, Clear Anodized  
Weight: 0.53 kg/m

Tapped for M6 every 200mm (±2mm)  
Includes clamp strip and M6X6 flat point screws



\* Wire Mesh Size: A - 6mm and B - 6mm



Standard fastener position is critical to avoid interference with the mesh clamp.

12-010

### Ordering Information

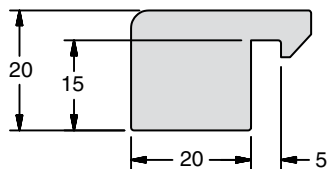
#### Description

Mesh Clamp Profile  
\*Saw Cut Needed for Cut to Length

Unit  
3m each

Part #  
12-010  
19-001

## Clamp Bar



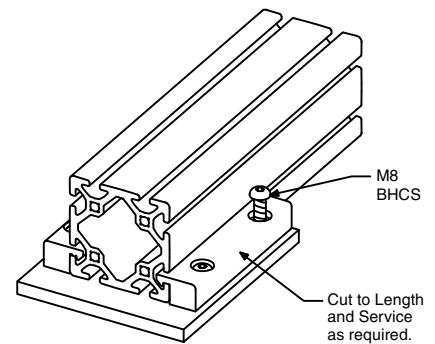
12-105

### Application

Attaches 40 Series profiles to base plates or other parts. Must be used in pairs. Not recommended for linear applications.

### Technical Data

Aluminum, Clear Anodized  
Weight: 1.24 kg/m



### Ordering Information

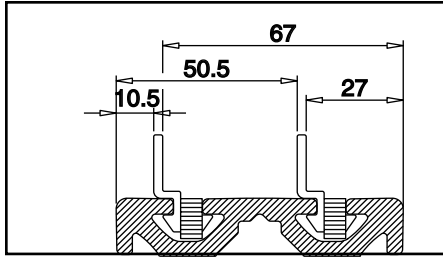
#### Description

Clamp Bar Profile  
\*Saw Cut Needed for Cut to Length

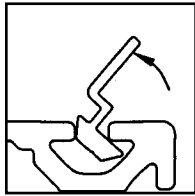
Unit  
2m each

Part #  
12-105  
19-001

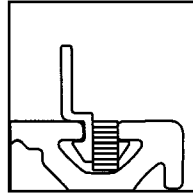
# Rack Angle Profile



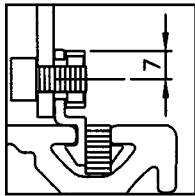
1



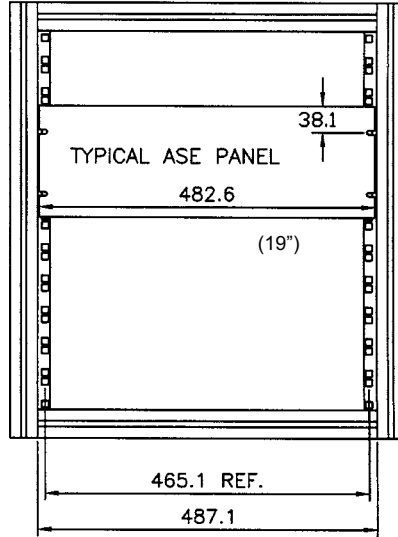
2



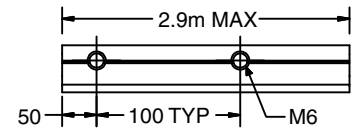
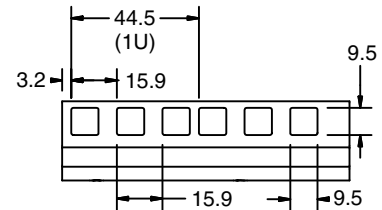
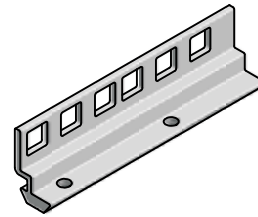
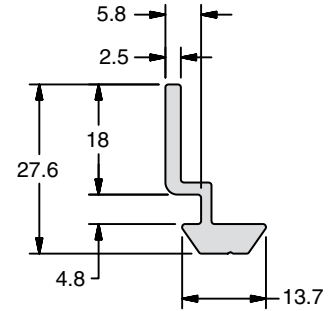
3



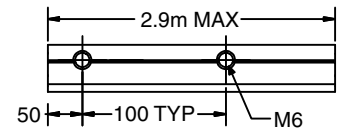
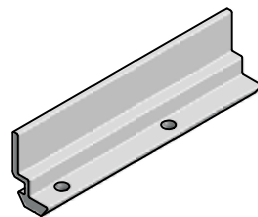
4



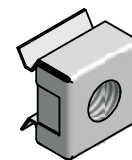
- 1 Mounting dimensions
- 2 Inserting rack angle into 40 series T-slot
- 3 Rack Angle is secured in T-slot with set screw M6x12. Requires 2 cuts to ensure matching pair
- 4 Panel is attached to Rack Angle with M5 or M6 screw and clip nut



12-109



12-110



20-075  
20-076  
25-075  
25-076

## Application

Used for attaching standard 19" rack components to 40, 30, 28 and 1.5" Series Profiles (30 and 28 series require installation from end of profile).

12-109 is machined with square holes for installation of a Clip Nut. Clip Nut snaps into square holes for attaching panels and accessories.

12-110 is blank and can be used to support horizontal panels such as ceiling tiles.

## Ordering Information

### Description

Profile Rack Angle with Holes

Profile Rack Angle no Holes

\*Saw Cut Needed for Cut to Length

Rack Angle Clip Nut M5

Rack Angle Clip Nut M6

Rack Angle Clip Nut #10-32

Rack Angle Clip Nut 1/4-20

### Unit

3m each

3m each

1 pc

1 pc

1 pc

1 pc

### Part #

12-109

12-110

19-001

20-075

20-076

25-075

25-076

## Technical Data

### Extrusion

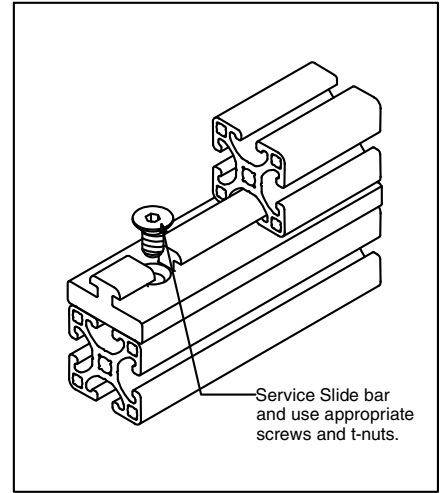
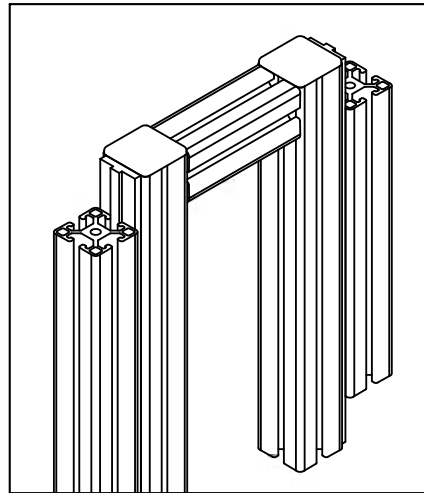
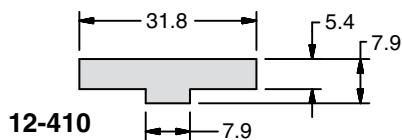
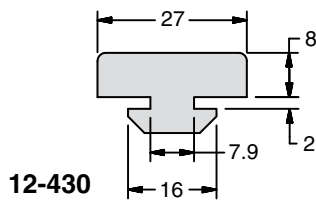
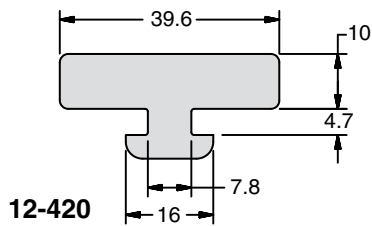
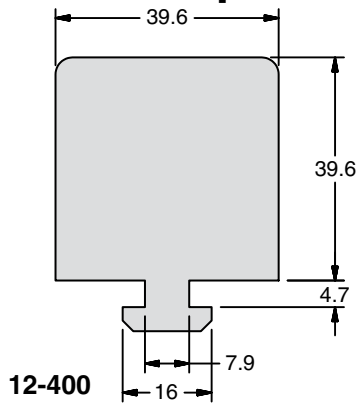
Aluminum, Clear Anodized  
Weight: 12-109 0.62kg/m  
12-110 0.63kg/m

Includes M6X12 flat point set screws

### Clip Nut (Order separately)

Steel, Zinc Plated  
Weight 5g

## UHMW Slide Bar & Slide Strip



### Application

Durable, low-friction material that is self lubricating and easily machined. These profiles provide a smooth gliding surface for a wide range of applications including linear systems to adjustable work surfaces or sliding panels.

### Technical Data

#### Extrusion

UHMW, White

40/1.5" Series Applications use:  
12-400, 12-420, and 12-410

28/30 Series Applications use:  
12-430 or 12-410

### Ordering Information

#### Description

Slide Bar UHMW  
Slide Bar UHMW 40x10  
Slide Bar UHMW 28/30x8  
Slide Strip UHMW  
\*Saw Cut Needed for Cut to Length

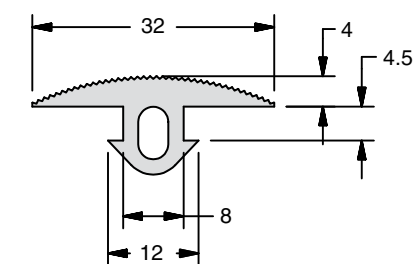
#### Unit

Cut off max. 3m  
Cut off max. 3m  
Cut off max. 3m  
Cut off max. 3m

#### Part #

12-400  
12-420  
12-430  
12-410  
19-001

## Anti-Skid Cover

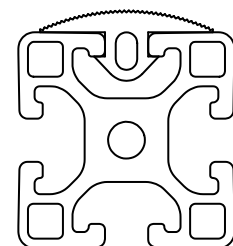


### Application

Cover for 40 and 1.5" Series profiles is used for non-slip surfaces such as ladders and stops for sliding doors. Oil and water resistant.

### Technical Data

Rubber, Black  
Hardness 80 Shore



### Ordering Information

#### Description

Anti-Skid Cover

#### Unit

Cut off max. 20m

#### Weight

180 g/m

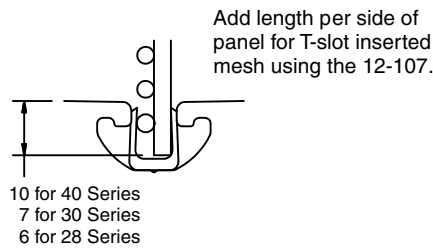
#### Part #

12-114



**Application**

Mesh gasket for mounting 12 gage wire mesh in 40, 30, 28 and 1.5" Series T-Slots.



**Technical Data**

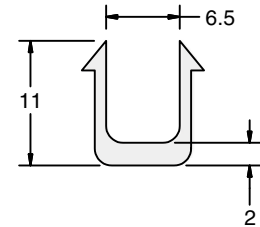
Molded vinyl (Clear)

Weight: 90g/m

**Ordering Information**

Description	Unit	Part #
Mesh Gasket 8	Cut off max. 30.5m	12-107
Full Roll	30.5m (ea)	12-107R

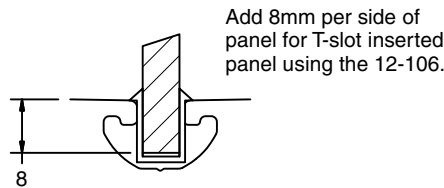
**Mesh Gasket 8**



12-107

**Application**

Panel gasket for installing 6mm panels in 40, 30, 28 and 1.5" Series profile T-slot.



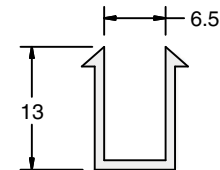
**Technical Data**

Molded vinyl (Grey)  
 Weight: 40g/m

**Ordering Information**

Description	Unit	Part #
Panel Gasket 8	Cut off max. 30.5m	12-106
Full Roll	30.5m (ea)	12-106R

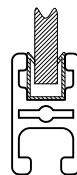
**Panel Gasket 8**



12-106

**Application**

Panel gasket for installing 6/8mm panels in T-slots of 32x18 Door Profile.



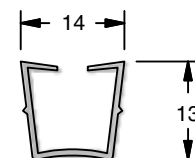
**Technical Data**

PP & TPE, Black  
 Weight: 90g/m

**Ordering Information**

Description	Unit	Part #
Panel Gasket 10	2m each	12-108

**Panel Gasket 10**



12-108

