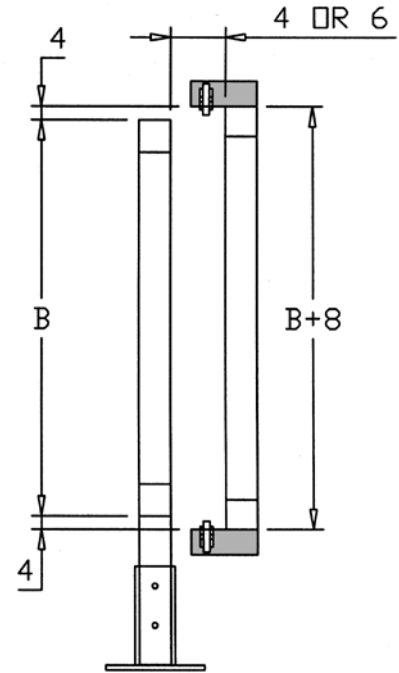
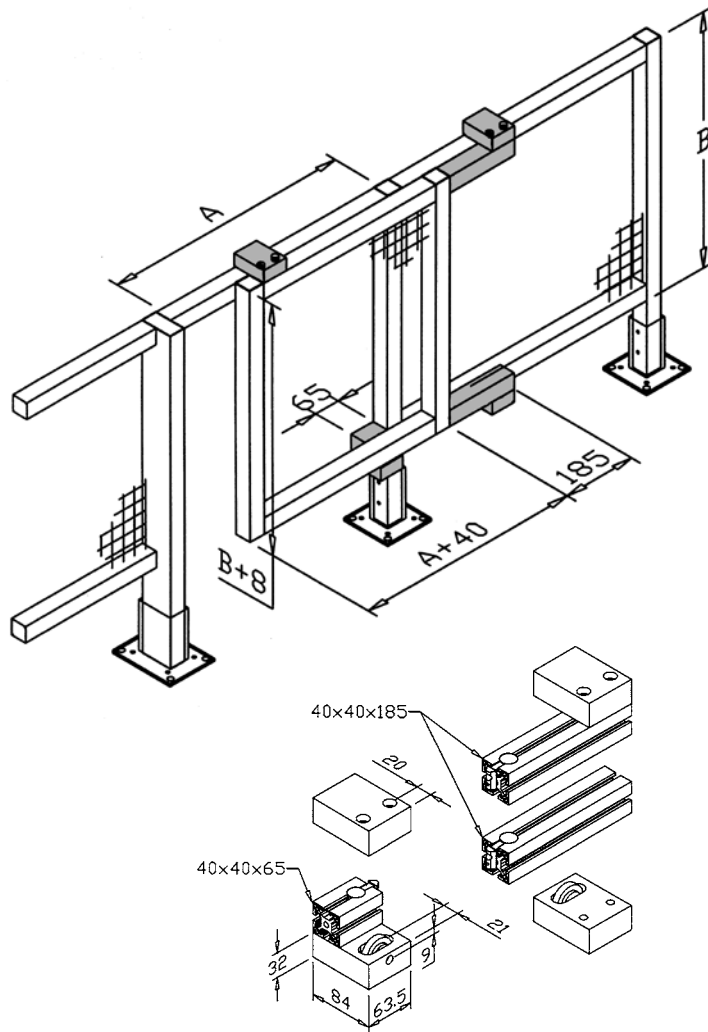


# Sliding Door Set



23-065

### Application

Packaged system for creating a sliding door with 40 and 1.5" Series profiles. The set consists of the necessary supports, rollers and roller housing to mount the movable sliding panel to an assembly.

Hardware will vary based on design and must be ordered separately.

### Technical Data

Supports: Aluminum, Clear Anodized, Fully machined for assembly  
Rollers: Roller PA 40 (21-069)  
Roller Holders: 10-040

### Ordering Information

Description	Unit	Weight	Part #
Sliding-Door Set	Set	36 g	23-065

