

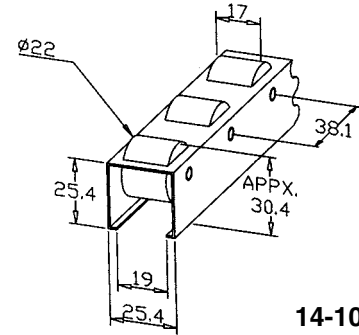
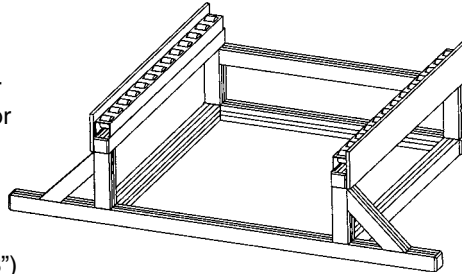
Roller Track

Application

Economical track for flow rack system. Usually use two tracks per runway but three or four may be used with heavy or wide loads. Can be attached to 40, 30 or 28 Series profiles.

Technical Data

Channel: rolled steel, galvanized (0.028")
 Roller: PE, white
 Load: 22 N (5 lbs) per roller



14-100

Ordering Information

Description	Unit	Part #
Roller Track	per meter, max. 3M	14-100
Saw cut necessary for cut to length		19-007

