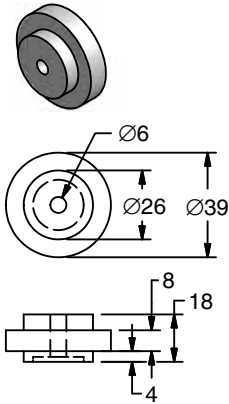
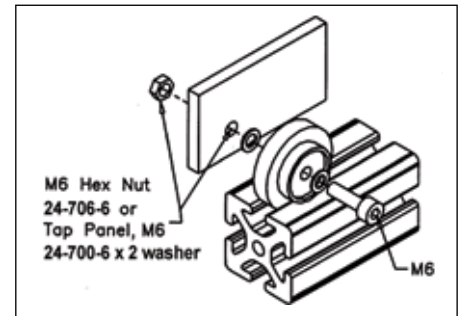
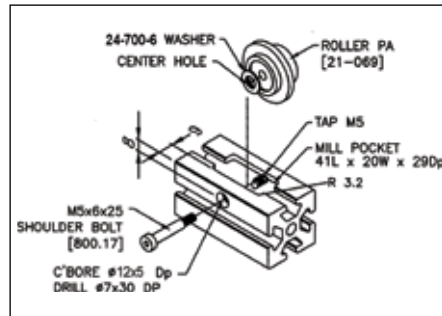
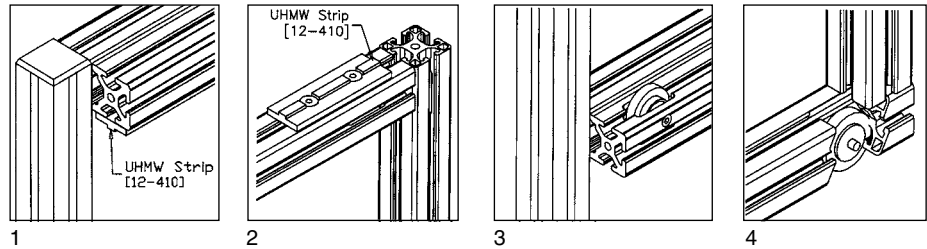


# Roller 40



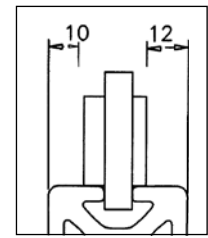
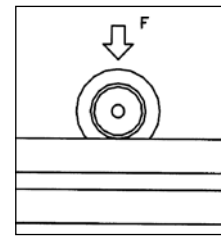
21-069



5

6

- 1-4 Application and details for sliding door with Roller PA 40
- 5 Servicing for Roller PA mounted in 40x40 Heavy profile
- 6 Mounting the Roller PA 40 for a sliding panel application
- 7 Max. load  $F = 150\text{ N}$
- 8 Dimensions of offset on 40 series profile



7

8

## Application

Versatile ball bearing roller which can be mounted in the T-slot. Roller has asymmetric design for various clearance dimensions such as on sliding doors and panels.

## Technical Data

Glass-filled nylon, black complete with two deep groove ball bearings with dust covers.

Max. load 150 N (34 lbs)

Leave 5mm offset between profiles.

**Hardware ordered separately.**

## Ordering Information

Description	Unit	Weight	Part #
Roller PA 40	1 pc	32 g	21-069
Shoulder Bolt M5x6x25	1 pc		800.17