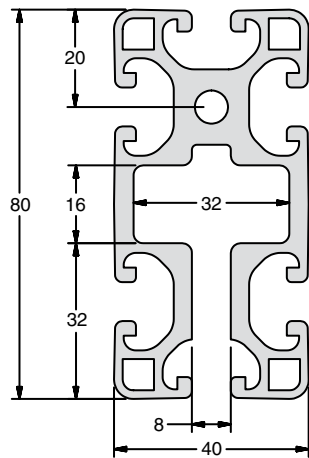
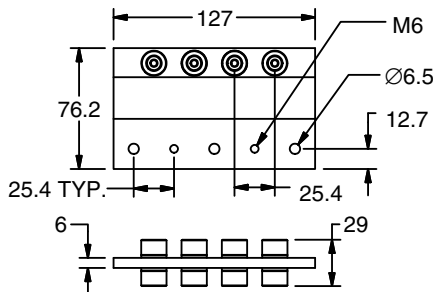
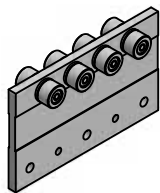


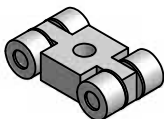
Rail Carts



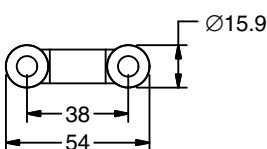
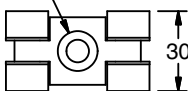
14-248



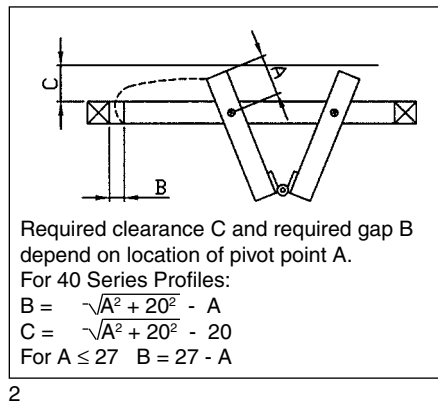
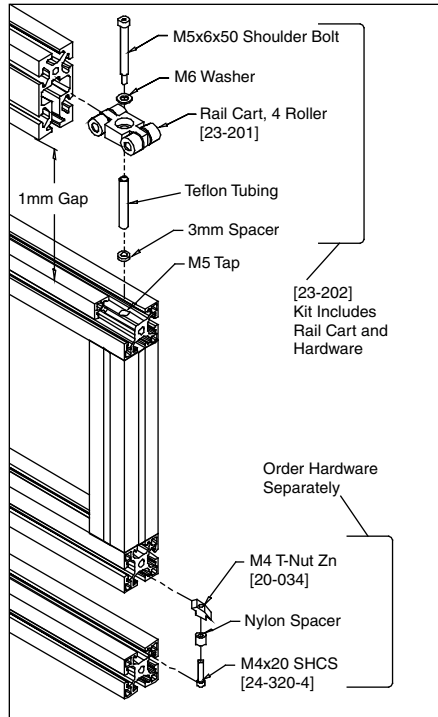
23-200



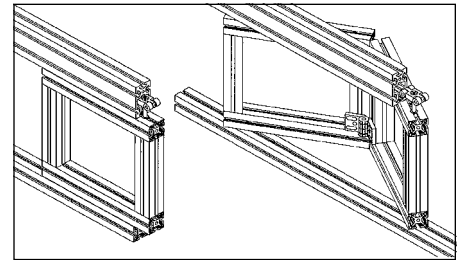
FOR M8 SHCS



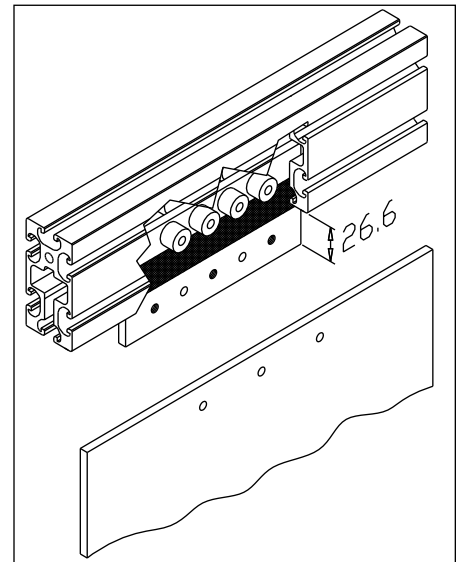
23-202



2



3



4

- 1 Assembling the 4-Roller Rail Cart to a door frame. Apply Loctite™ to M6 screw to prevent loosening. Guide along lower section for sliding door using nylon spacer (8mm long, O.D. 8mm)
- 2 Calculations for Bi-fold sliding doors
- 3 Sliding Door and Bi-fold sliding door assemblies
- 4 8-Roller Rail Cart assembly in 80x40 Rail profile

Application

Designed for use in 80x40 Rail Profile part #14-248 (See Linear Section). Rail carts used for hanging and sliding doors and other hanging components such as moving material on workstations.

Ordering Information

Description	Unit	Weight	Max LoadN (lbs)	Part #
8-Roller Cart	Set	0.20 kg	440 (100)	23-200
4-Roller Cart	Each	45 g	220 (50)	23-201
4-Roller Cart with Fastening Set	Set	64 g	220 (50)	23-202

Profile	Unit	Weight	Part #
Profile 80x40 Rail Transport	Cut off 6m max.	4.19 kg/m	14-248
	*saw cut needed for cut to length		19-002

Technical Data

Housing: Aluminum, Clear Anodized
Wheel: Delrin, needle roller bearings
Washer: Nylon

Hardware included with 23-202: Bolt, washer, Teflon® tubing and 3mm spacer.

