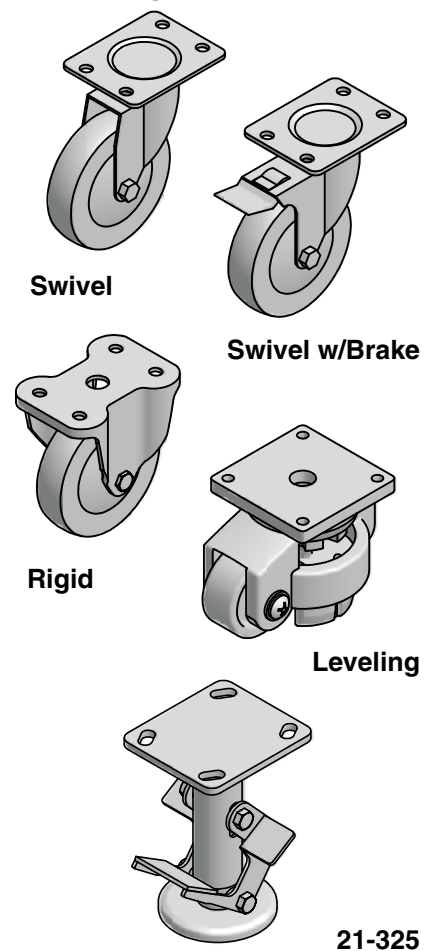
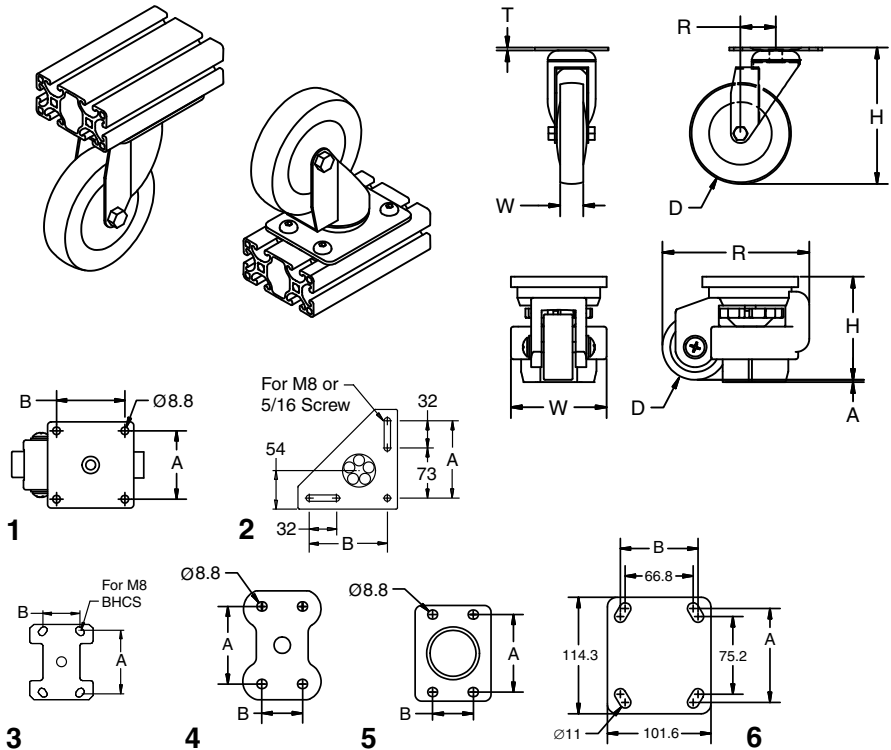


Plate Type Casters



Application

Top plate casters are great for all types of loads and applications. The caster bolts directly to the appropriate extrusion T-Slot or the end of a profile using an adapter.

Technical Data

Housing: Pressed Steel, Ball Bearing Swivel Head.

Order hardware and base plates separately. Locking foot 21-325 requires adapter plate 21-335.

Ordering Information

Type	Lock	Load Cap. kg (lbs)	Wheel	Dimensions (mm)							Wt. (kg)	Plate Dwg.	Part #
				D	W	H	R	T	A	B			
Swivel	None	102 (225)	Grey Poly	76 (3")	32	112	80	9.4	75	40	0.71	5	21-303
Swivel	Total	102 (225)	Grey Poly	76 (3")	32	112	106	9.4	75	40	0.88	5	21-304
Rigid	None	102 (225)	Antistatic Grey	76 (3")	31	119	-	3	75	40	0.30	4	21-302
Rigid	None	136 (300)	Blue Grey Rubber	125 (5")	32	165	-	3	75	40	0.92	4	21-311
Swivel	None	136 (300)	Blue Grey Rubber	125 (5")	32	165	106	2.5	75	40	1.14	5	21-312
Swivel	Total Lock	136 (300)	Blue Grey Rubber	125 (5")	32	165	106	2.5	75	40	1.29	5	21-313
Swivel	None	410 (900)	Purple Poly	152 (6")	51	191	125	11.5	76-92	67-76	2.20	5	21-318
Swivel	Total Lock	410 (900)	Purple Poly	152 (6")	51	191	180	11.5	76-92	67-76	2.60	5	21-319
Leveler	Foot	600 (Set of 4)	Nylon	50 (2")	73	82	104	6.25	58	58	0.80	1	21-324*
Leveler	Foot	1200 (Set of 4)	Nylon	62 (2.5")	89	102	128	7.25	70	70	1.20	1	21-328*
Foot	Locking	182 (400)	Rubber Pad	-	-	197	-	-	92	67	2.14	6	21-325

* Requires special mounting plate. Adapter plates for inch profiles on page 172. Consult factory for engineering assistance for metric profile adapter plates.

