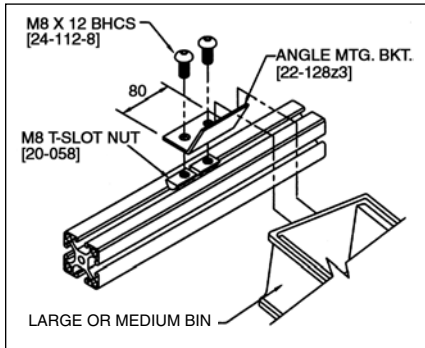
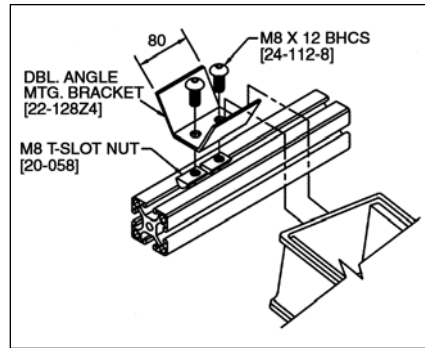


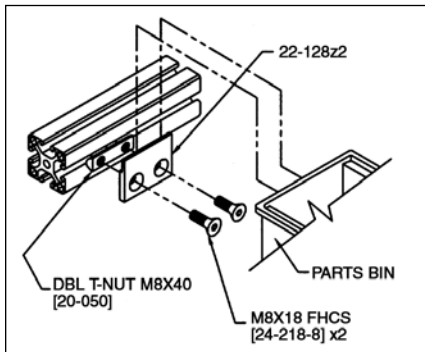
Parts Bin



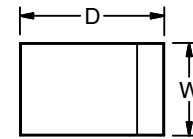
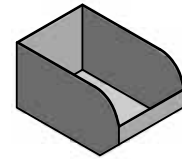
1



2



3



22-126 thru 22-129

Application

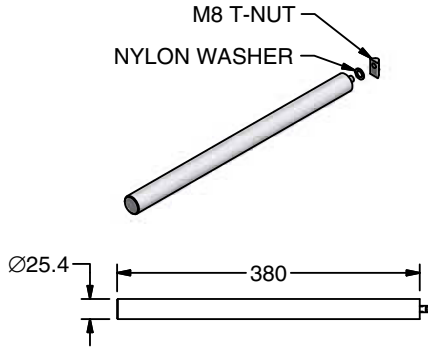
Bins for small to large parts and equipment on work benches, work stations, parts racks, etc. Minimizes parts handling.

Order all hardware separately

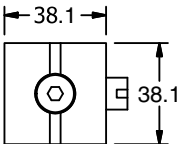
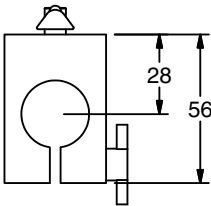
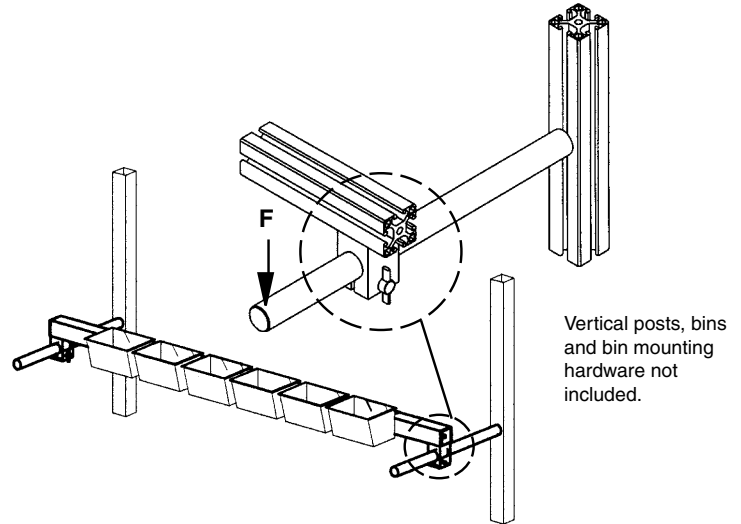
Ordering Information

Description	Dimensions			Mounting Hardware	Material	Weight (kg)	Part #
	W	D	H				
Parts Bins	140	280	127	See fig. 1-3 for mounting choices	Heavy duty polypropylene, red	0.67	22-126
	280	280	127	See fig. 1-3 for mounting choices		1.24	22-127
	105	135	76	See fig. 1-3 for mounting choices		0.08	22-128
	105	187	76	See fig. 1-3 for mounting choices		0.11	22-129
Flat Mounting Bracket	60	6.4	25.4	Not included (See fig. 3)	Al, anodized	0.02	22-128Z2
Angled Mounting Bracket	80	47	30	Not included (See fig. 1)	Al, anodized	0.08	22-128Z3
DbI Ang. Mounting Bracket	80	74	30	Not included (See fig. 2)	Al, anodized	0.07	22-128Z4

Adjustable Bin Mounting Components



22-130



22-134

Application

Adjustable bin mounting system for 40 Series work stations and assembly lines. Allows shelf adjustment in two directions: up-down and in-out. 40 series profile can be used as brace for bins at any required horizontal length.

Bins and bin mounting hardware must be ordered separately.

Technical Data

Slide Rail: Al, clear anodized

Slide Collar: Delrin, black

Includes all hardware as shown.

Max. load $F = 60 \text{ N}$ (13.5 lbs)

Mounting Brace includes: profile and two end caps.

Ordering Information

Description	Unit	Weight	Part #
Bin Mounting Slide Rail (2 req.)	1 set	0.53 kg	22-130
Slide Collar (2 req.)	1 set	81 g	22-134