

Application

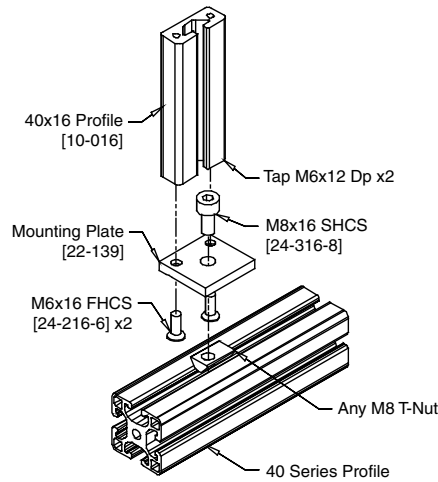
Designed to mount 40x16 profile (10-016) at 90° angle to any 40 or 1.5" Series profile.

Technical Data

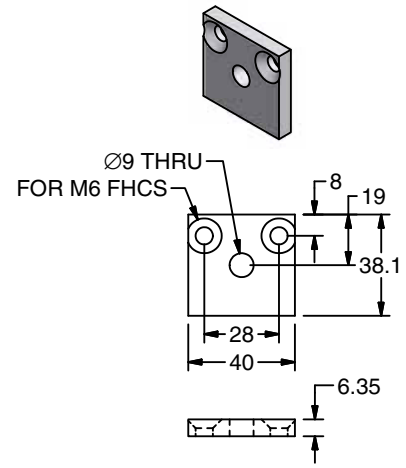
Aluminum, Clear Anodized

Requires the following hardware:

Screw	(1) 24-316-8
T-Nut	(1) 20-058
FHCS	(2) 24-216-6



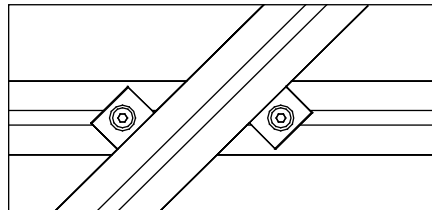
Mounting Plate



22-139

Ordering Information

Series	Description	Unit	Weight	Part #
40	Mounting Plate for 40x16 profile	Each	19 g	22-139



Application

Cost effective connection of 40 Series profiles stacked at intersecting angles. Not recommended for linear applications. Use in pairs to accomplish proper clamping.

Technical Data

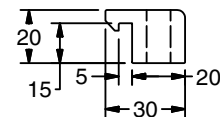
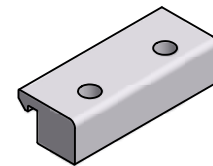
Aluminum, Clear Anodized

Requires the following hardware per hole:

Screw	T-Nut
(1) 24-130-8	(1) 20-064

Ordering Information

Series	Description	Unit	Weight	Part #
40	Clamp Block 1 (1 hole)	Each	0.03 kg	20-018-1
	Clamp Block 2 (2 holes)	Each	0.90 kg	20-018-2
	Clamp Block 4 (4 holes)	Each	0.17 kg	20-018-4



20-018-1
 20-018-2
 20-018-4

