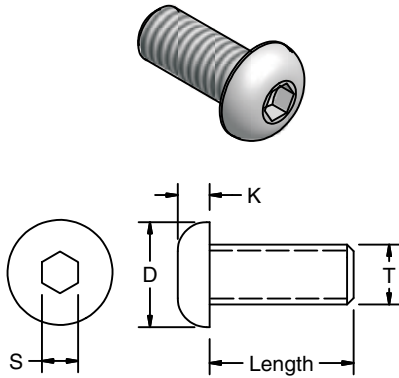


# Metric Screws

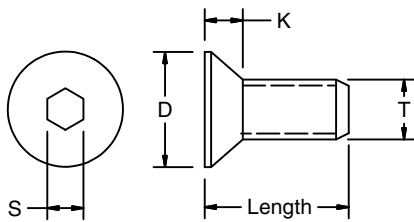
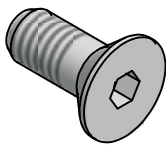
## Part Number Example

Example would be a Button Head Screw M5x.08 at 20mm Long

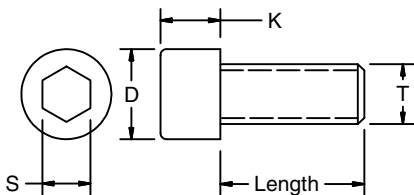
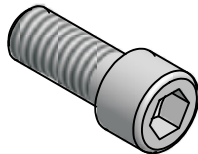
24 - 1 20 - 5



### BUTTON HEAD



### FLAT HEAD



### SOCKET HEAD

Screw Type	Code
Button Head	1
Flat Head	2
Socket Head	3

Length (mm)	Code
8	08
10	10
12	12
14	14
16	16
18	18
20	20
22	22
25	25
27	27
28	28
30	30
35	35
40	40
45	45
50	50
60	60
80	80
90	90
100	100
120	120

Thread Type	Code
M3x.05	3
M4x0.7	4
M5x0.8	5
M6x1.0	6
M8x1.25	8
M10x1.5	10

## Ordering Information

The chart on this page is to guide you in determining a part number from a specification. Verify that the part number created is a stocked item by using the chart on the next page or contacting your local representative.

**Note:** Only screw items listed by part number on the following pages are considered standard and are in stock. Non-stock items are special order with minimum quantity requirements.

**Order Quantities:** Order quantities are per screw. Contact customer service for box quantity and high volume orders.

## Technical Data

Finish will vary between Zinc plated or black oxide depending on style. Stainless Steel is available on selected styles. Check with your local Service Center or current Price List

## METRIC SCREW DIMENSIONS (mm)

Thread	Button Head			Flat Head			Socket Head		
	D*	K*	S	D*	K	S	D*	K*	S
M3	5.7	1.65	2	6	1.7	2	5.5	3	2.5
M4	7.6	2.2	2.5	8	2.3	2.5	7	4	3
M5	9.5	2.75	3	10	2.8	3	8.5	5	4
M6	10.5	3.3	4	12	3.3	4	10	6	5
M8	14	4.4	5	16	4.4	5	13	8	6
M10	17.5	5.5	6	20	5.5	6	16	10	8

\*MAX size listed.



## Metric Screw Quick Reference

	Length	M3x.05	M4x0.7	M5x0.8	M6x1.0	M8x1.25	M10x1.5
Button Head Screws	8			24-108-5	24-108-6		
	10	24-110-3	24-110-4*	24-110-5 *	24-110-6 *	24-110-8 *	
	12			24-112-5 *	24-112-6 *	24-112-8 *	
	14			24-114-5	24-114-6	24-114-8	
	16			24-116-5*	24-116-6 *	24-116-8 *	
	18					24-118-8 *	
	20			24-120-5 *	24-120-6 *	24-120-8 *	24-120-10
	25			24-125-5 *	24-125-6 *	24-125-8 *	24-125-10
	28					24-128-8	
	30			24-130-5 *	24-130-6 *	24-130-8	24-130-10 *
	35			24-135-5	24-135-6 *	24-135-8	
	40				24-140-6	24-140-8 *	24-140-10
	45			24-145-5		24-145-8	
	50					24-150-8	
	60				24-160-6	24-160-8	
80					24-180-8		
Flat Head Screws	8		24-208-4		24-208-6		
	10	24-210-3		24-210-5	24-210-6 *	24-210-8	
	12		24-212-4	24-212-5 *	24-212-6 *	24-212-8 *	
	14		24-214-4SS		24-214-6	24-214-8	
	16	24-216-3	24-216-4	24-216-5	24-216-6 *	24-216-8 *	
	18				24-218-6	24-218-8	
	20		24-220-4		24-220-6 *	24-220-8 *	
	25		24-225-4	24-225-5	24-225-6 *	24-225-8	
	30			24-230-5	24-230-6	24-230-8 *	
	35				24-235-6		
45					24-245-8		
Socket Head Screws	8		24-308-4				
	10		24-310-4		24-310-6	24-310-8	
	12	24-312-3	24-312-4	24-312-5 * †	24-312-6	24-312-8 *	
	14		24-314-4		24-314-6		
	16		24-316-4 *		24-316-6	24-316-8 *	
	18				24-318-6		
	20		24-320-4	24-320-5	24-320-6 *	24-320-8 *	
	25				24-325-6 *	24-325-8 *	
	27				24-327-6		
	30				24-330-6	24-330-8 *	
	35				24-335-6	24-335-8	
	40				24-340-6	24-340-8	
	45				24-345-6	24-345-8 *	
	50				24-350-6	24-350-8	
	80				24-380-6	24-380-8	
90				24-390-6			
100					24-3100-8		
120				24-3120-6			

\* These items are available in Stainless Steel. Add "SS" to the end of the Part #.

† Low head

