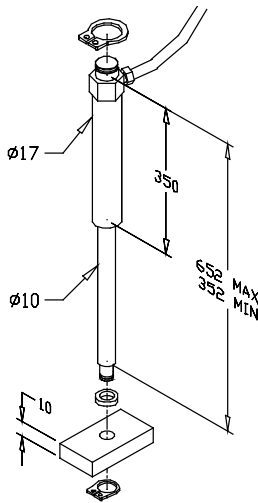
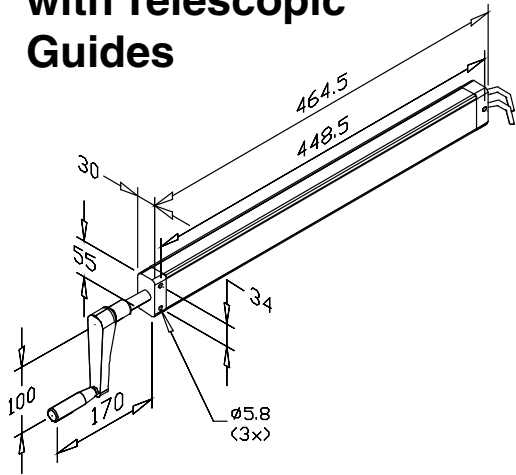
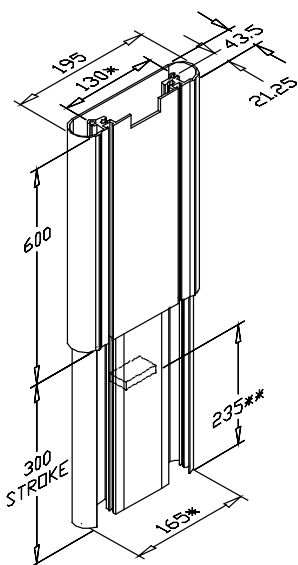


2-Cylinder Lift System with Telescopic Guides

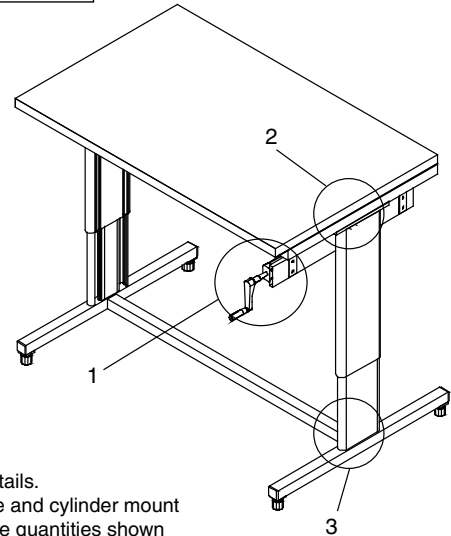
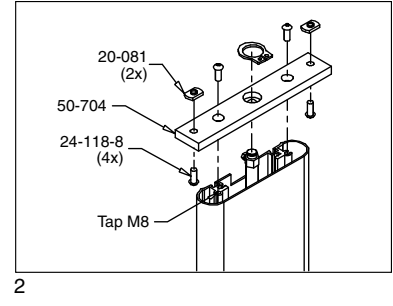
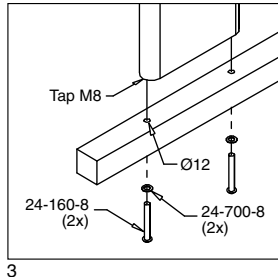
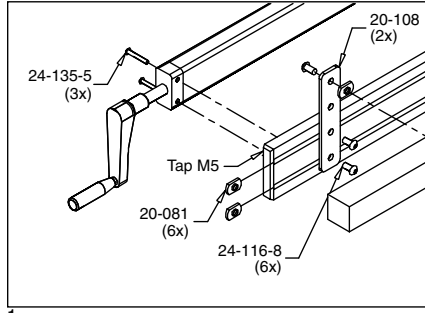


50-702



* Distance between mounting holes
** Cylinder mounting distance

50-703



1, 2, 3 Pump mount details.
Telescopic guide and cylinder mount details (hardware quantities shown per side).

Application

2-Cylinder Lift System together with Telescopic Guides create a compact versatile height adjustment mechanism. The system consists of two fluid-drive cylinders connected by flexible tubing to a manual pump with a unique "fold-away" hand crank. Due to cylinder internal construction, use of telescopic guides is required. Each guide has four mounting holes (two on top, two on bottom) that can be tapped for M8 or 5/16"-18.

Order mounting hardware for pump and telescopic guides separately (see application illustration).

Ordering Information

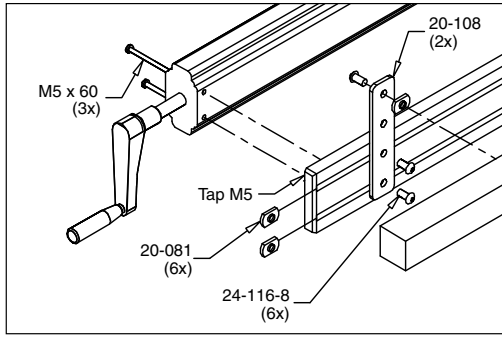
| Description | Unit | Weight | Part # |
|-------------------------------|-------|--------|--------|
| 2-Cylinder Lift System | 1 set | | 50-702 |
| Telescopic Guide (2 required) | 1 pc | 4.3 kg | 50-703 |
| Mounting Plate for 50-703 | 1 pc | 6 g | 50-704 |

Technical Data

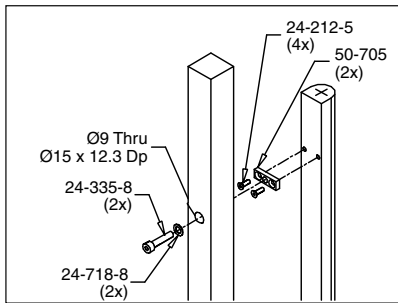
Maximum lift capacity 2224 N (500lbs.)
Adjustment range 300mm
Cylinders are single acting. External force of approx. 67 N (15 lbs.) is required for return stroke.
Tubing length: one at 8' and one at 10' section.
Minimum bending radius for tubing 40mm.
Operating temperature 0 - 115°F.



4-Cylinder Lift System

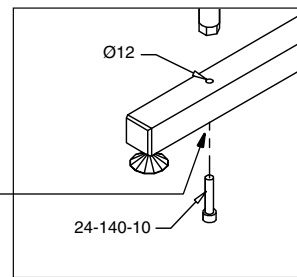


1



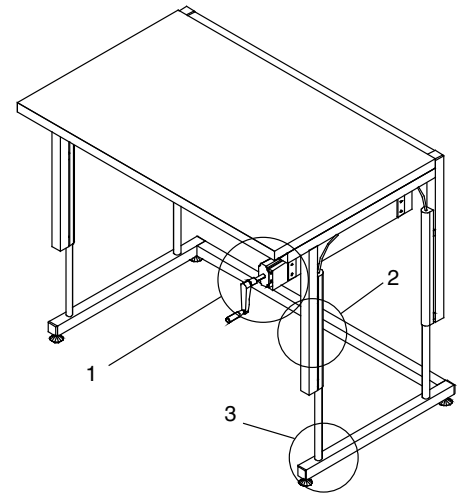
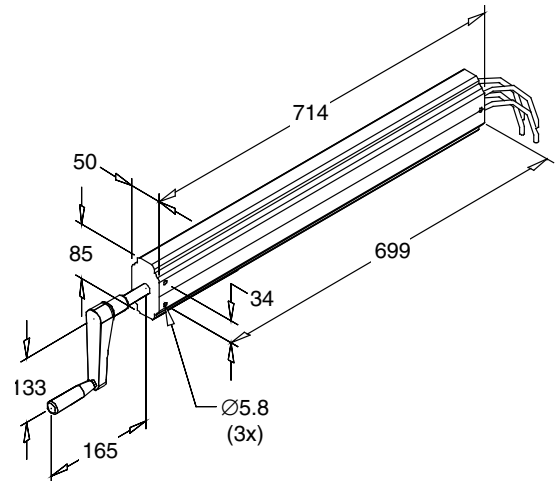
2

1 Pump mount details.
2,3 Cylinder mount details
(hardware quantities shown
per cylinder).



3

Counterbore Ø
15x12mm deep



Application

4-Cylinder Lift System is a compact versatile height adjustment mechanism. It consists of four fluid-drive cylinders connected by flexible tubing to a manual pump with a unique "fold-away" hand crank. The cylinders are completely self-contained, requiring no external support structure.

Each cylinder has five pre-tapped mounting holes: four on a flat side (M5x7mm deep) and one at the bottom (M10x12mm deep).

Technical Data

Maximum lift capacity 3336 N (750lbs.)

Adjustment range 300mm

Cylinders are single acting. External force of approx. 89 N (20 lbs.) is required for return stroke.

Tubing length: two at 8' and two at 10' section.

Minimum bending radius for tubing 40mm.

Operating temperature 0 - 115°F.

Order all mounting hardware separately (see application sample 1-3).

Ordering Information

| Description | Unit | Weight | Part # |
|--|-------|---------|--------|
| 4-Cylinder Lift System | 1 set | 11.7 kg | 50-700 |
| Mounting Plate for 50-700 (2 per cylinder) | 1 pc | 6 g | 50-705 |

