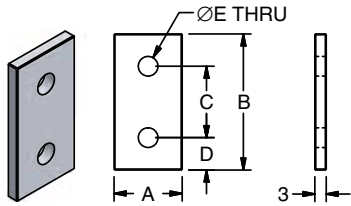
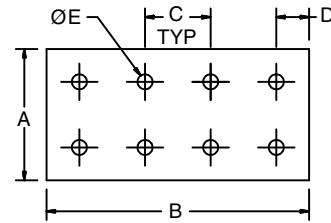
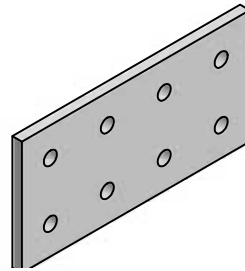


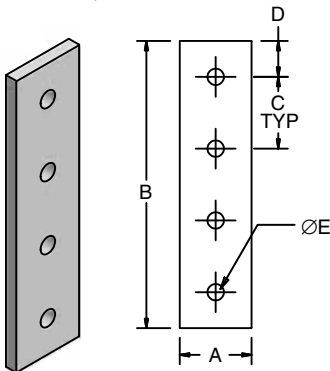
# Straight



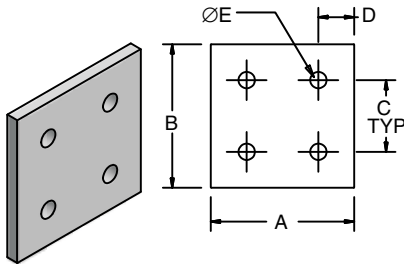
20-117  
20-300, 20-310  
22-140, 22-145



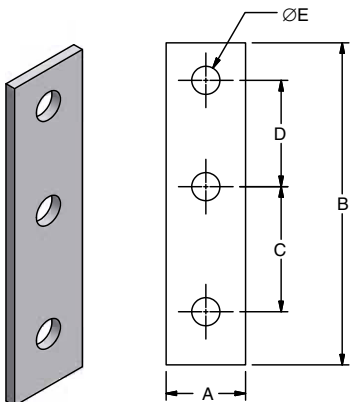
20-112  
20-303  
20-313



20-108  
20-301, 20-310



20-111  
20-118  
20-302, 20-312



20-104

## Application

Exterior joining plates for fastening profiles without servicing. Can also be used for additional strength on joints with fasteners.

## Technical Data

Aluminum, Anodized,  
40 Series: 6.4mm Thick  
30/28 Series: 3.2mm Thick  
1.5" and 1" Series: 0.25" Thick

## Recommended Fasteners (Order Separately)

Series	Screws	T-Nuts	Double T-Nut (if applicable)
40	24-118-8	20-058	20-050
30	24-112-8	20-058	20-050
28	21-110-8	20-057	—
20	24-108-5	20-045	—
1.5"	25-110-5	25-002, 25-082 or 20-182	25-041 or 25-046
1"	25-108-4	25-031, 25-034 or 25-036	25-032 or 25-037

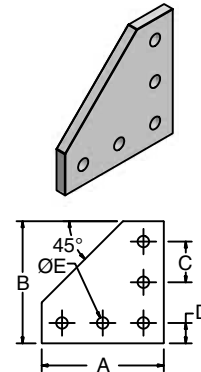
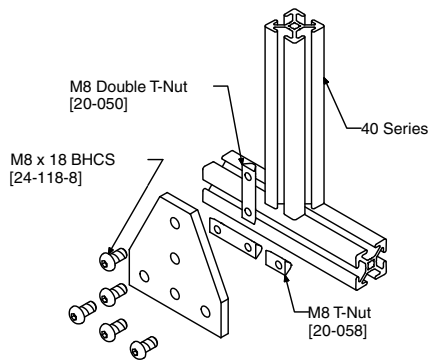
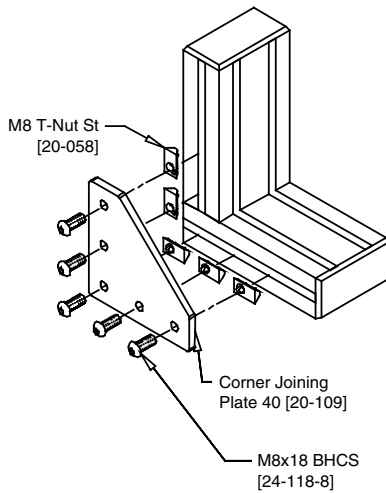
## Ordering Information

Series	A	B	C	D	E	Unit	Weight	Part #
40	38	76	40	18	9	Each	40 g	22-140
	34	154	40	17	9	Each	86 g	20-108
	74	74	40	17	9	Each	90 g	20-111
	74	154	40	17	9	Each	188 g	20-112
30/28	25	54	28	13	9	Each	33 g	22-145
	25	103	40	34	9	Each	20 g	20-104
20	19	38	20	9	5.5	Each	7 g	20-117
	38	38	20	9	5.5	Each	11 g	20-118

Series	A	B	C	D	E	Unit	Weight	Part #
1.5"	1.50"	3.00"	1.50"	0.75"	0.34"	Each	45 g	20-300
	1.50"	6.00"	1.50"	0.75"	0.34"	Each	90 g	20-301
	3.00"	3.00"	1.50"	0.75"	0.34"	Each	95 g	20-302
	3.00"	6.00"	1.50"	0.75"	0.34"	Each	195 g	20-303
1"	1.00"	2.00"	1.00"	0.50"	0.28"	Each	18 g	20-310
	1.00"	4.00"	1.00"	0.50"	0.28"	Each	36 g	20-311
	2.00"	2.00"	1.00"	0.50"	0.28"	Each	36 g	20-312
	2.00"	4.00"	1.00"	0.50"	0.28"	Each	68 g	20-313



# Corner & "T"



**20-105**  
**20-109**  
**20-304**  
**20-314**

## Application

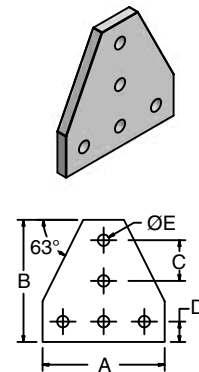
Exterior joining plates for fastening profiles without servicing. Can also be used for additional strength on joints with fasteners.

## Technical Data

Aluminum, Anodized,  
 40 Series: 6.4mm Thick  
 30/28 Series: 3.2mm Thick  
 1" and 1.5" Series: 0.25" Thick

## Recommended Fasteners (Order Separately)

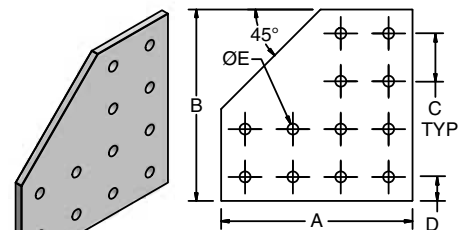
Series	Screws	T-Nuts	Double T-Nut (if applicable)
40	24-118-8	20-058	20-050
30	24-112-8	20-058	20-050
28	21-110-8	20-057	—
1.5"	25-110-5	25-002, 25-082 or 20-182	25-041 or 25-046
1"	25-108-4	25-031, 25-034 or 25-036	25-032 or 25-037



**20-106**  
**20-110**  
**20-305**  
**20-315**

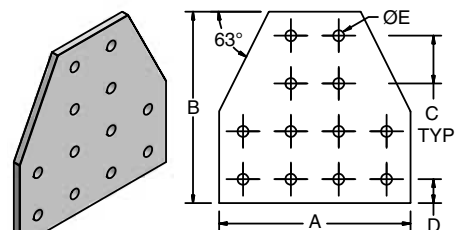
## Ordering Information

Series	A	B	C	D	E	Unit	Weight	Part #
40	114	114	40	17	9	Each	163 g	<b>20-109</b>
	114	114	40	17	9	Each	163 g	<b>20-110</b>
	154	154	40	17	9	Each	341 g	<b>20-113</b>
	154	154	40	17	9	Each	341 g	<b>20-114</b>
30/28	80	80	28	12	9	Each	39 g	<b>20-105</b>
	80	80	28	12	9	Each	39 g	<b>20-106</b>



**20-113**  
**20-307**

Series	A	B	C	D	E	Unit	Weight	Part #
1.5"	4.50"	4.50"	1.50"	0.75"	0.34"	Each	173 g	<b>20-304</b>
	4.50"	4.50"	1.50"	0.75"	0.34"	Each	173 g	<b>20-305</b>
	6.00"	6.00"	1.50"	0.75"	0.34"	Each	359 g	<b>20-306</b>
	6.00"	6.00"	1.50"	0.75"	0.34"	Each	359 g	<b>20-307</b>
1"	3.00"	3.00"	1.00"	0.50"	0.28"	Each	41 g	<b>20-314</b>
	3.00"	3.00"	1.00"	0.50"	0.28"	Each	41 g	<b>20-315</b>



**20-114**  
**20-306**

