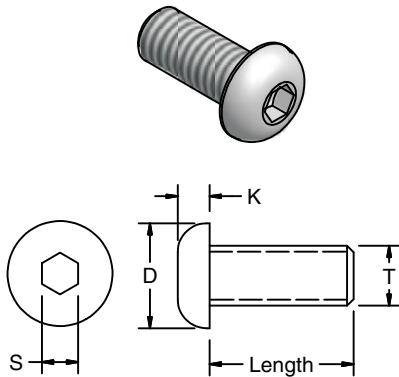


# Imperial Screws

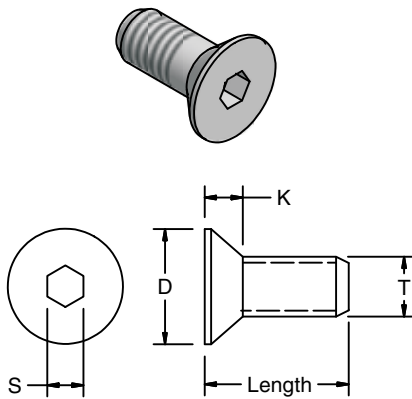
## Part Number Example

Example would be a Button Head Cap Screw 5/16-18 x 3/4" long.

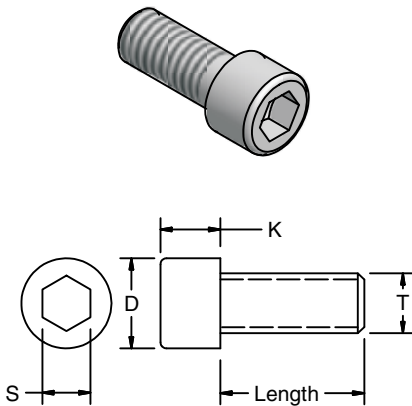
25 - 1 12 - 5



### BUTTON HEAD



### FLAT HEAD



### SOCKET HEAD

Screw Type	Code
Button Head	1
Flat Head	2
Socket Head	3

Length (in)	Code
1/8	02
3/16	03
1/4	04
5/16	05
3/8	06
7/16	07
1/2	08
9/16	09
5/8	10
11/16	11
3/4	12
13/16	13
7/8	14
15/16	15
1	16
1 1/8	18
1 1/4	20
1 3/8	22
1 1/2	24
1 3/4	28
2	32

Thread Type	Code
#8-32	1
#10-32	2
1/4-20	4
5/16-18	5
3/8-16	6
1/2-13	8

## Ordering Information

The charts on this page are to guide you in developing the appropriate part number to order the screw. Verify that the part number created is a stocked item by using the chart on the next page or contacting your local representative.

**Note:** Only screw items listed by part number on the following pages are considered standard and are in stock. Non-stock items are special order with minimum quantity requirements.

**Order Quantities:** Order quantities are per screw. Contact customer service for box quantity and high volume orders.

Lengths shown in bold are industry standards for all threads.

## Technical Data

The standard finish on iSeries screws is Black Dicromate. Clear Zinc and stainless steel may be available on select styles.

## ENGLISH SCREW DIMENSIONS (in)

Thread	Button Head			Flat Head			Socket Head		
	D*	K*	S	D*	K	S	D*	K*	S
#8-32	0.312	0.087	3/32	0.311	0.112	3/32	0.270	0.164	9/64
#10-32	0.361	0.101	1/8	0.359	0.127	1/8	0.312	0.190	5/32
1/4-20	0.437	0.132	5/32	0.480	0.161	5.32	0.375	0.250	3/16
5/16-18	0.547	0.166	3/16	0.600	0.198	3/16	0.469	0.312	1/4
3/8-16	0.656	0.199	7/32	0.720	0.234	7/32	0.562	0.375	5/16
1/2-13	0.875	0.265	5/16	0.872	0.251	5/16	0.750	0.500	3/8

\*MAX size listed.



## Imperial Screw Quick Reference

Type	Length	#8-32	#10-32	1/4-20	5/16-18	3/8-16
Button Head Screws	3/8"	25-106-1	25-106-2	25-106-4	25-106-5	
	1/2"	25-108-1	25-108-2	25-108-4	25-108-5	
	5/8"	25-110-1	25-110-2	25-110-4	25-110-5	
	3/4"		25-112-2	25-112-4	25-112-5 *	
	7/8"			25-114-4	25-114-5	
	1"				25-116-5	
	1 1/8"				25-118-5	
	1 1/4"				25-120-5	25-120-6
	1 1/2"				25-124-5	
	1 3/4"				25-128-5	
Flat Head Screws	1/2"		25-208-2	25-208-4		
	5/8"			25-210-4	25-210-5	
	3/4"			25-212-4	25-212-5	
Socket Head Screws	1/2"	25-308-1			25-308-5	
	5/8"	25-310-1		25-310-4	25-310-5 *	
	3/4"			25-312-4	25-312-5	
	7/8"			25-314-4	25-314-5	
	1"			25-316-4	25-316-5	
	1 1/4"			25-320-4	25-320-5	
	1 3/4"				25-328-5	
	2"				25-332-5	

\* These Items are available as both Black Dicromate Finish and Stainless Steel.  
Add "SS" to the end of the part # for stainless steel.