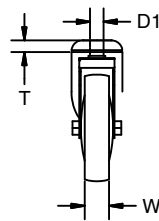
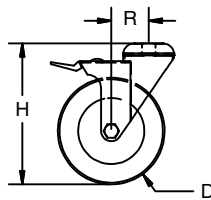
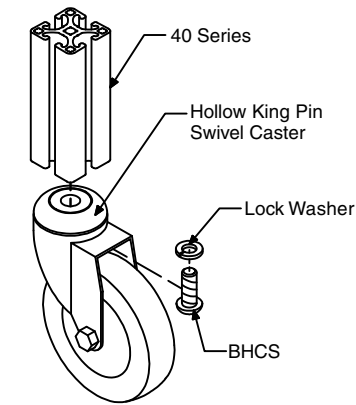
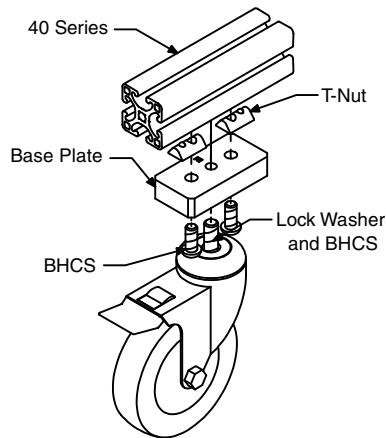
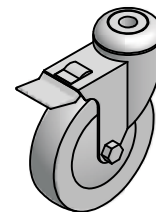


Hollow King Pin



Swivel



Swivel w/Brake

Application

Casters designed for light and medium duty applications with ratings up to 91kg (200lbs). Mounting surface is a hollow king pin with ball bearing swivel.

Technical Data

Housing: Pressed Steel, Zinc Chromated.

Ordering Information

Load Cap. kg (lbs)	Wheel	Dimensions (mm)						Locking	Weight (kg)	Part #
		D	W	H	R	T	D1			
40 (88)	Rubber Black Non-Marking	50 (2")	19	68	50	7.8	10.2	None	0.21	21-300
40 (88)	Rubber Black Non-Marking	50 (2")	19	68	70	7.8	10.2	Wheel	0.24	21-301
80 (175)	Neoprene Rubber, Black	75 (3")	25	100	100	7.8	10.2	Total Lock	0.39	21-310