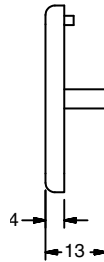


Application

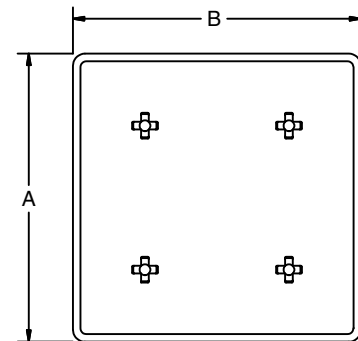
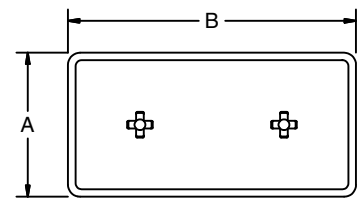
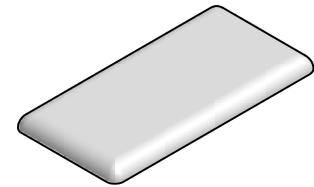
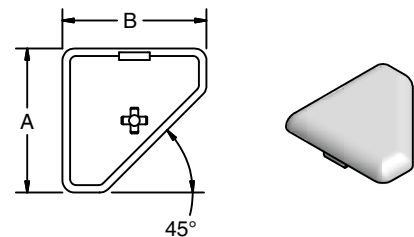
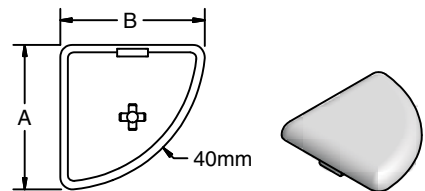
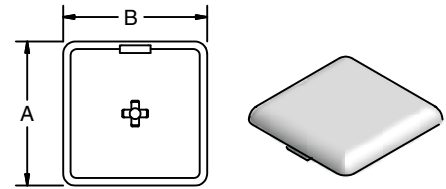
Caps are used to cover the exposed ends of profiles after assembly. The caps provide both protection from potentially sharp edges, and also an aesthetically pleasing appearance.

Technical Data

Glass-Filled Nylon (Black)



**Metric End Caps
 Access Hole Plugs**

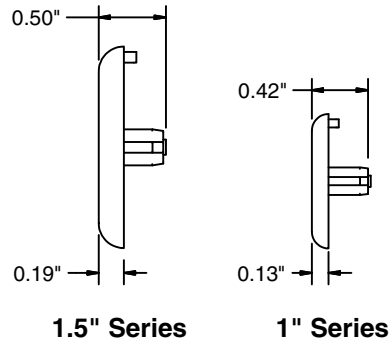
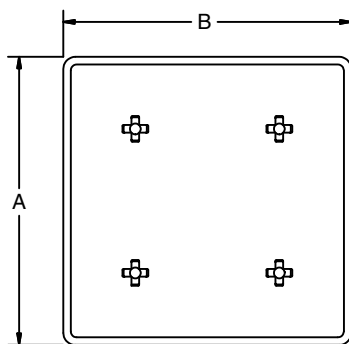
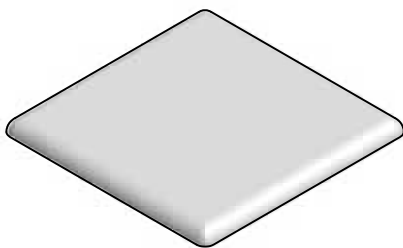
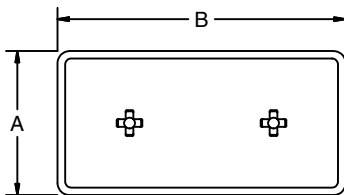
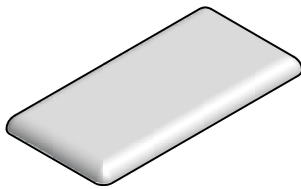
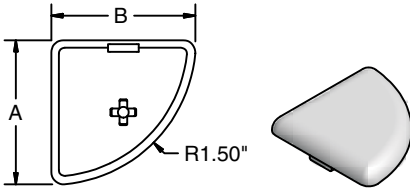
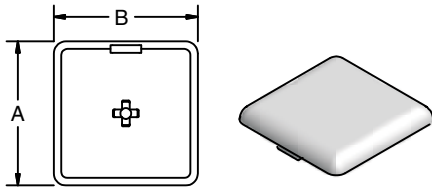


Ordering Information

Series	Description (B x A)	Unit	Wt (g)	Part #
40 Series	40x16	Each	4	18-811
	40x40	Each	7	18-813
	40x40 Heavy Square	Each	10	18-805
	40x40 Quarter Round	Each	5	18-843
	80x16	Each	6	18-812
	80x40	Each	15	18-814
	80x80	Each	28	18-815
	120x40	Each	22	18-840
	120x80	Each	43	18-841
	160x16	Each	10	18-806
	160x28	Each	20	18-816
	160x40	Each	28	18-817
	160x80	Each	66	18-818
	40x40-45°	Each	6	18-820
	40-45°	Each	4	18-845
	R40/80-30	Each	17	18-883
R40/80-45	Each	19	18-885	
R40/80-60	Each	22	18-886	
30 Series	30 x 30 Quarter Round	Each	4	18-838
	30x30	Each	5	18-803
	60x30	Each	11	18-863
28 Series	28x28	Each	4	18-808
	28x56	Each	8	18-809
	28x28-45°	Each	3	18-844
20 Series	20x10	Each	0.5	18-830
	20x20	Each	1	18-802
	20x40	Each	2	18-831
	40x40, 20 Series	Each	4	18-832
Specialty Profiles	56x56 (Post Profile)	Each	16	18-819
	32x18 Door Profile	Each	3	18-807
Access Hole Plugs	7mm Plastic	Each	0.1	18-710
	7mm Nickel	Each	0.5	18-713



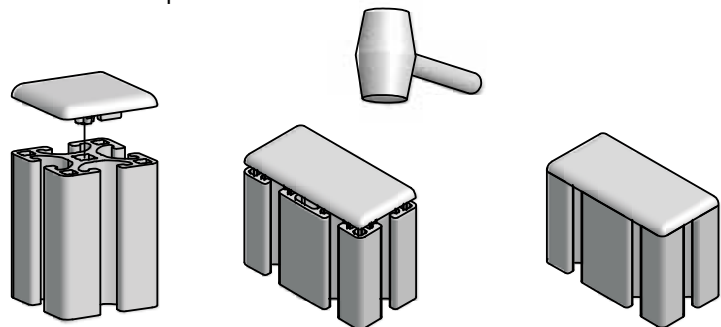
Inch End Caps Access Hole Plug



Ordering Information

Series	Size (B x A)	Unit	Weight	Part #
1.5" Series	1.5" x 1.5"	Each	0.25 oz	18-1515
	1.5" x 1.5" Quarter Round	Each	0.21 oz	18-1543
	3" x 1.5"	Each	0.5 oz	18-1530
	3" x 3"	Each	1 oz	18-3030
1" Series	1" x 1"	Each	0.12 oz	18-1010
	2" x 1"	Each	0.25 oz	18-1020
	2" x 2"	Each	0.49 oz	18-2020
Access Hole Plugs	9/32" Plastic	Each	0.04 oz	18-710
	9/32" Nickel Plated Steel	Each	0.18 oz	18-713

Assembly Hint
 Press end cap into end hole(s), then lightly tap with rubber or plastic mallet.

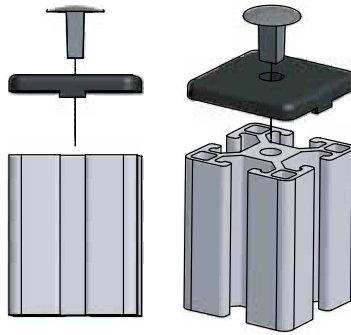


Application

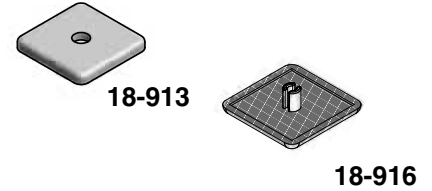
Secured End Caps are attached to profile end with push-in fastener (sold separately). No profile servicing is required.

Technical Data

Glass-Filled Nylon (Black)
 Screw: St, black oxide



Secure End Caps



Ordering Information

Description	Unit	Weight	Part #	w/Studs	Screws
28x28 - Secure	Each	7g	18-911*		
28x56 - Secure	Each	7g	18-912*		
30x30 - Secure	Each	7g		18-919**	(1) 24-210-4
60x30 - Secure	Each	7g		18-920**	(2) 24-210-4
40x40 - Secure	Each	7g	18-913*	18-916**	(1) 24-210-4
80x40 - Secure	Each	23g	18-914*	18-917**	(2) 24-210-4
80x80 - Secure	Each	26g	18-918*	18-915**	(4) 24-210-4
Push-in Fastener	Each	2	18-715		

* Requires push-in-fastener

** Requires screws

