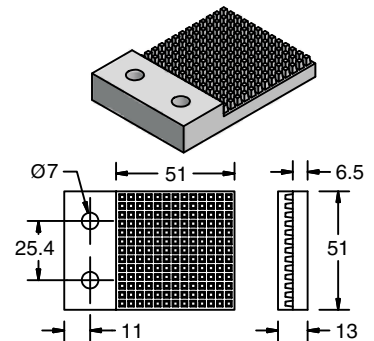
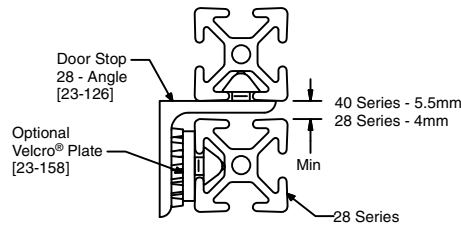
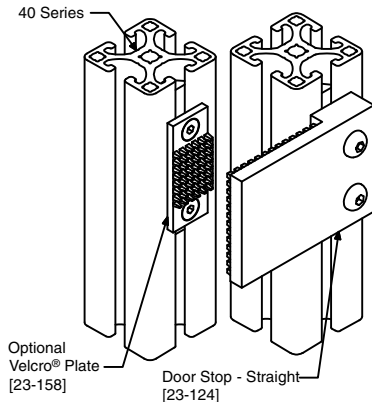


Light Duty Door Stops



23-124

Application

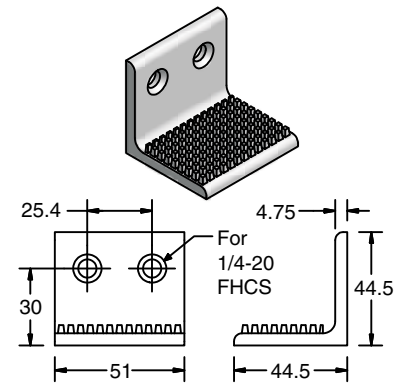
Door Stops provide a positive stop to keep the door lined up with a frame. An optional Velcro® plate can be added to create a light-duty catch.

Technical Data

Aluminum, Clear Anodized with Velcro® Pad

Recommended Fastening Hardware (Order Separately)

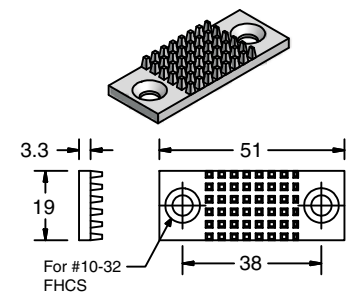
| Profile Series | Fastener | Part # 23-124 | Part # 23-125 | Part # 23-158 |
|----------------|----------|------------------|------------------|------------------|
| 40/30 1.5" | Screws | 25-114-4 | 25-210-4 | 25-208-2 |
| | T-Nuts | 25-001 or 20-083 | 25-001 or 20-083 | 25-009 or 20-088 |
| 28 | Screws | 25-112-4 | 25-208-4 | 25-208-2 |
| | T-Nuts | 25-055 | 25-055 | 20-038 |
| 1" | Screws | 25-112-4 | 25-206-2 | 25-206-2 |
| | T-Nuts | 25-031 or 25-034 | 25-030 or 25-035 | 25-030 or 25-035 |



23-125

Ordering Information

| Description | Unit | Weight | Part # |
|--------------------------|------|--------|--------|
| Door Stop - Straight | Each | 91 g | 23-124 |
| Door Stop 40, 30 - Angle | Each | 91 g | 23-125 |
| Velcro® Plate | Each | 9 g | 23-158 |



23-158*

* For wider surfaces, use 22-145 and apply velcro strip. Order hardware separately.

