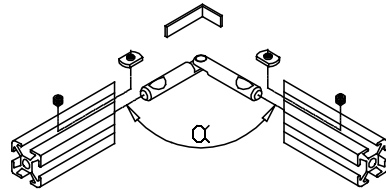
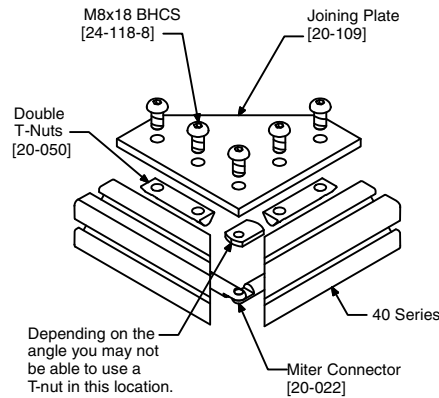


40 Series
 $\beta = 90^\circ - \alpha/2$
 $A = 45 + C \tan \beta$
 $B = 35 + C \tan \beta$
 $D = 9.6$
 $E = 8$

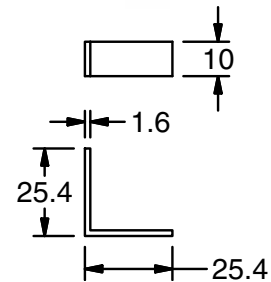
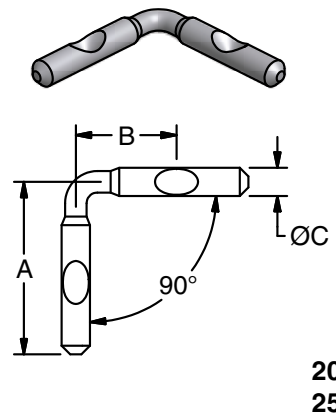
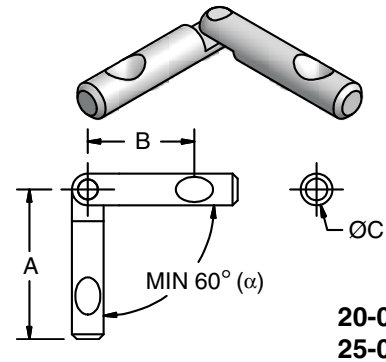
1.5" Series
 $\beta = 90^\circ - \alpha/2$
 $A = 1.77" + C \tan \beta$
 $B = 1.38" + C \tan \beta$
 $D = 0.386"$
 $E = 0.313"$

28 Series
 $\beta = 90^\circ - \alpha/2$
 $A = 38 + C \tan \beta$
 $B = 25.5 + C \tan \beta$
 $D = 6.8$
 $E = 6$

1" Series
 $\beta = 90^\circ - \alpha/2$
 $A = 1.50" + C \tan \beta$
 $B = 1.00" + C \tan \beta$
 $D = 0.266"$
 $E = 0.250"$



Miter Connectors



20-127

Application

Variable angle connectors are available for 40 and 1.5" series profiles.

Fixed 90° connectors are available for 28, 30 and 1" Series Profiles.

Miter Bracket (20-127) prevents twisting.

Not for use as a structural fastener.
Secure with joining plates as necessary.

Technical Data

Connector: Steel, Zinc Plated

Miter Bracket: Aluminum, Anodized

Sets include necessary T-nuts and cone point screws.

Loctite® Thread Locker No. 262 is recommended to secure set screws.

Ordering Information

Series	Description	A	B	C	Unit	Weight	Part #
40	Variable	45	32	9.53	1 Set	67 g	20-022
28,30	Fixed 90°	37	23.4	6.57	1 Set	31 g	20-128*
1.5"	Variable	1.77"	1.260"	0.375"	1 Set	67 g	25-024
1"	Fixed 90°	1.46"	0.92"	0.26"	1 Set	31 g	25-026
All	Miter Bracket	See drawing			1 Pc	4 g	20-127

*Fixed 90° Miter Connector only 1 Pc 20-128Z1