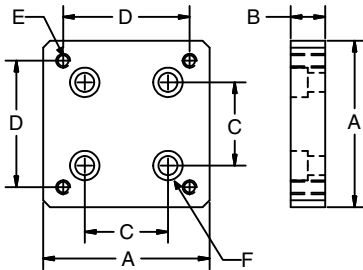
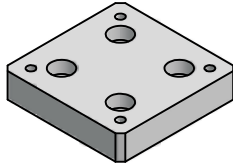
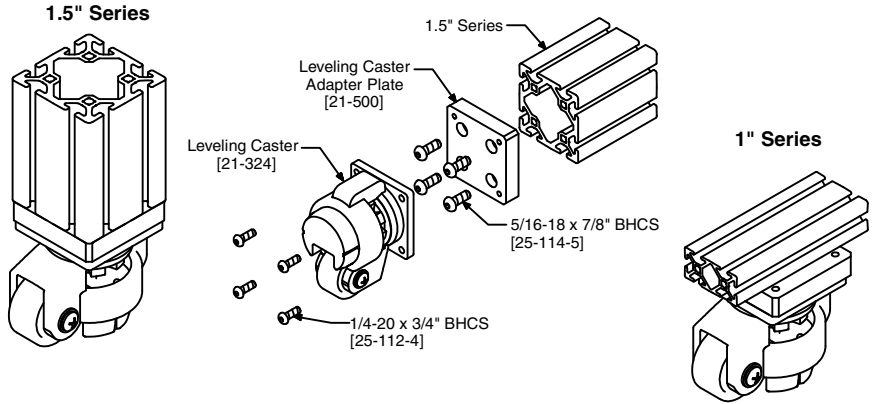


Adapter Plates



- 21-500
- 21-501
- 21-502
- 21-504



Application

Used to mount heavy duty casters or floor locks to either the end of the extrusion or T-slots.

Technical Data

Aluminum, Clear Anodized

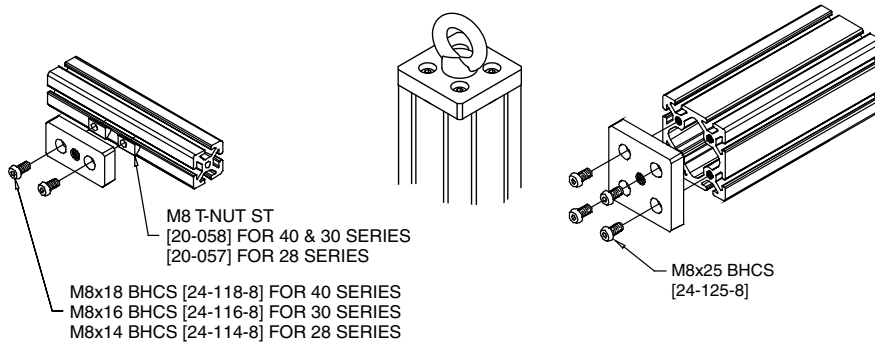
Recommended Fastening Hardware (Order Separately)

Mounting Method	Screws	T-Nuts
End of Extrusion	25-114-5	—
T-Slot	25-112-5	25-002 or 25-051

Ordering Information

Caster	A	B	C	D	E	F	(kg)	Part #
21-324	3.0"	0.625"	1.5"	2.28"	1/4-20	for 5/16	0.64	21-500
	3.0"	0.625"	1.0"	2.28"	1/4-20	for 1/4	0.65	21-501
21-328	3.5"	0.625"	1.5"	2.76"	1/4-20	for 5/16	0.75	21-502
21-504	4.50"	0.63"	1.5"	3.00"	3/8-16	for 5/16	0.85	21-504

Base Plates

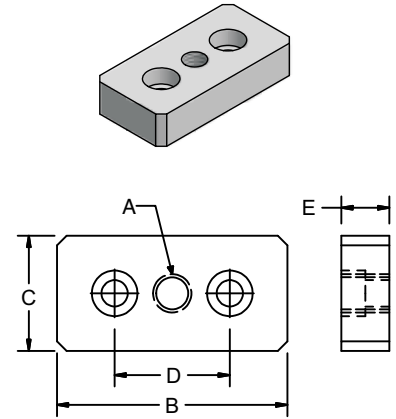


Application

Base plates are used primarily to mount leveling feet and casters on the end or side of an extrusion. These plates can also be used for mounting other parts such as lifting eyes.

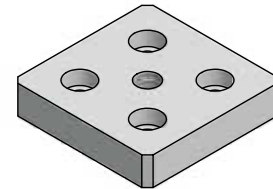
Technical Data

Aluminum, Clear Anodized



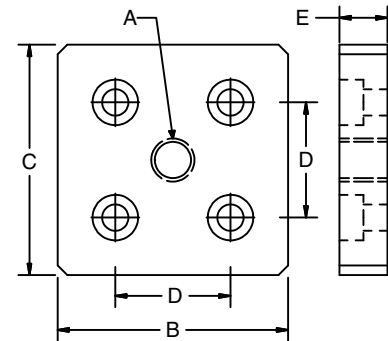
Recommended Hardware

Mounting	Series	Screws	T-Nuts	Machining
Attached to Profile End	30/28	24-125-8	—	19-010
	20	24-114-5	—	19-010
	1"	25-112-4	—	19-009
Attaching to T-Slot	30	24-116-8	20-058	—
	28	24-114-8	20-057	—
	20	24-112-5	20-045 or 20-085	—
	1"	25-110-4	25-031, 25-034 or 25-036	—

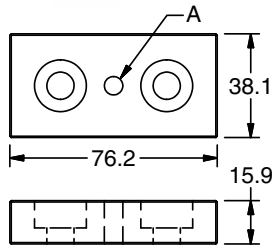
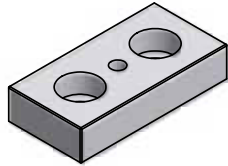


Ordering Information

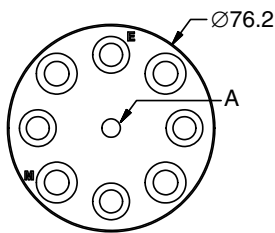
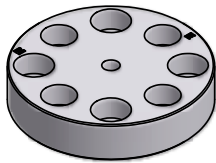
Profile Series	Dimensions					Weight (kg)	Part #
	A	B	C	D	E		
30	M8	60	30	30	15.9	0.24	21-029-8
	M10	60	30	30	15.9	0.24	21-029-10
	M12	60	30	30	15.9	0.24	21-029-12
28	M8	54	25.4	28	15.9	0.15	21-004
	M10	54	25.4	28	15.9	0.15	21-005
	M12	54	25.4	28	15.9	0.15	21-006
	M8	54	54	28	15.9	0.30	21-204
	M10	54	54	28	15.9	0.30	21-205
	M12	54	54	28	15.9	0.30	21-206
20	M8	40	40	20	12	0.81	21-220-8
	M10	40	40	20	12	0.81	21-220-10
	M12	40	40	20	12	0.81	21-220-12
1"	1/4-20	2.0"	1.0"	1.0"	0.625"	0.15	21-1020-04
	5/16-18	2.0"	1.0"	1.0"	0.625"	0.15	21-1020-05
	5/16-18	2.0"	2.0"	1.0"	0.625"	0.24	21-2020-05
	3/8-16	2.0"	2.0"	1.0"	0.625"	0.24	21-2020-06
	1/2-13	2.0"	2.0"	1.0"	0.625"	0.24	21-2020-08



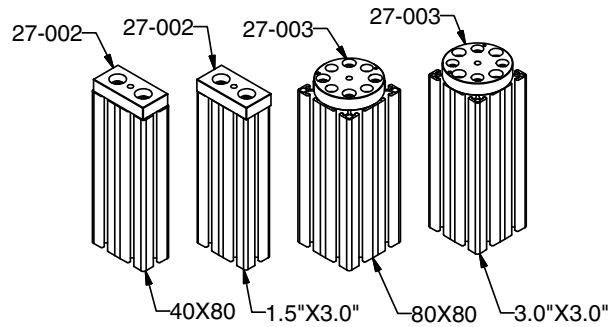
Base Plates (SMART)



27-002-xxx



27-003-xxx



Application

SMART base plates are used primarily to mount leveling feet and casters on the end or side of an extrusion. These plates can also be used for mounting other parts such as lifting eyes.

The SMART base plates adapt to both 40 and 1.5" Series extrusions.

Technical Data

Aluminum, Clear Anodized

Recommended Hardware

Mounting	Series	Screws	T-Nuts	Machining
Attached to Profile End	1.5"	25-114-5	—	19-010
	40	24-125-8	—	19-010
Attaching to T-Slot	1.5"	25-112-5	25-002, 20-082 or 20-182	—
	40	24-118-8	20-058, 20-081 or 20-181	—

Ordering Information

27-002- **M08**

Code	A Thread
M08	M8
M10	M10
M12	M12
M16	M16
M20	M20
E05	5/16-18
E06	3/8-16
E08	1/2-13
E10	5/8-11

27-003- **M08**

Code	A Thread
M08	M8
M10	M10
M12	M12
M16	M16
M20	M20
E05	5/16-18
E06	3/8-16
E08	1/2-13
E10	5/8-11